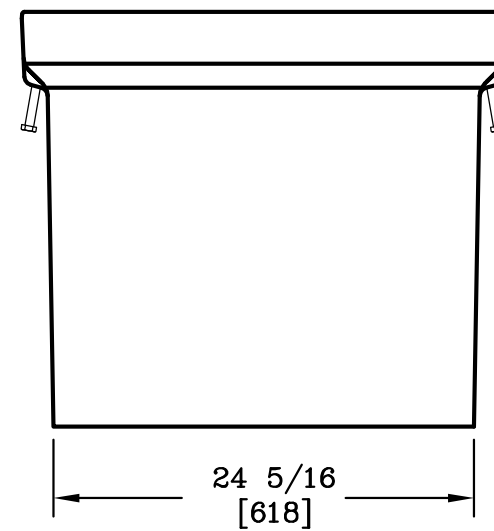
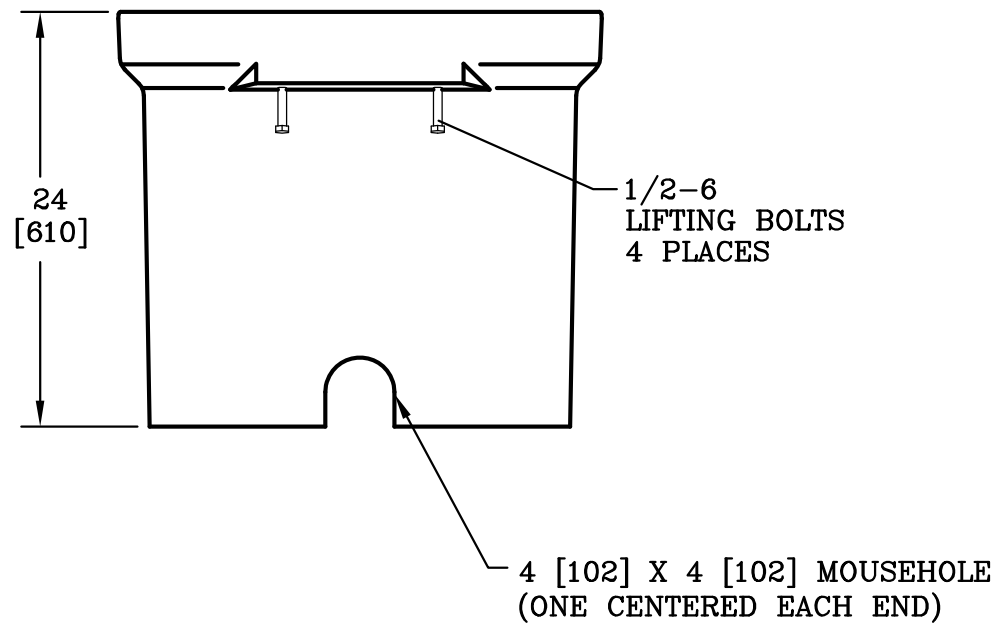



SECTION A-A



NOTE:

1. DIMENSIONS IN BRACKETS ARE IN MILLIMETERS UNLESS NOTED OTHERWISE.

DIMENSIONS ARE IN INCHES OR MILLIMETERS IN BRACKETS UNLESS OTHERWISE NOTED.				 3621 INDUSTRIAL PARK DR LENOIR CITY, TN 37771 800-346-3062 www.quazite.com		LOC
DRN	BY	DATE	WEIGHT	DRAWING DESCRIPTION	QUAZITE® BOX	S
CHK	ENG	SCALE	185# 75kg			REV
APR	APR	SIZE	1"=1'			C
APR		B				3/12
PROJECT NUMBER						DRAWING NUMBER
04648				PG2424BB24		
SHEET 1 OF 1						