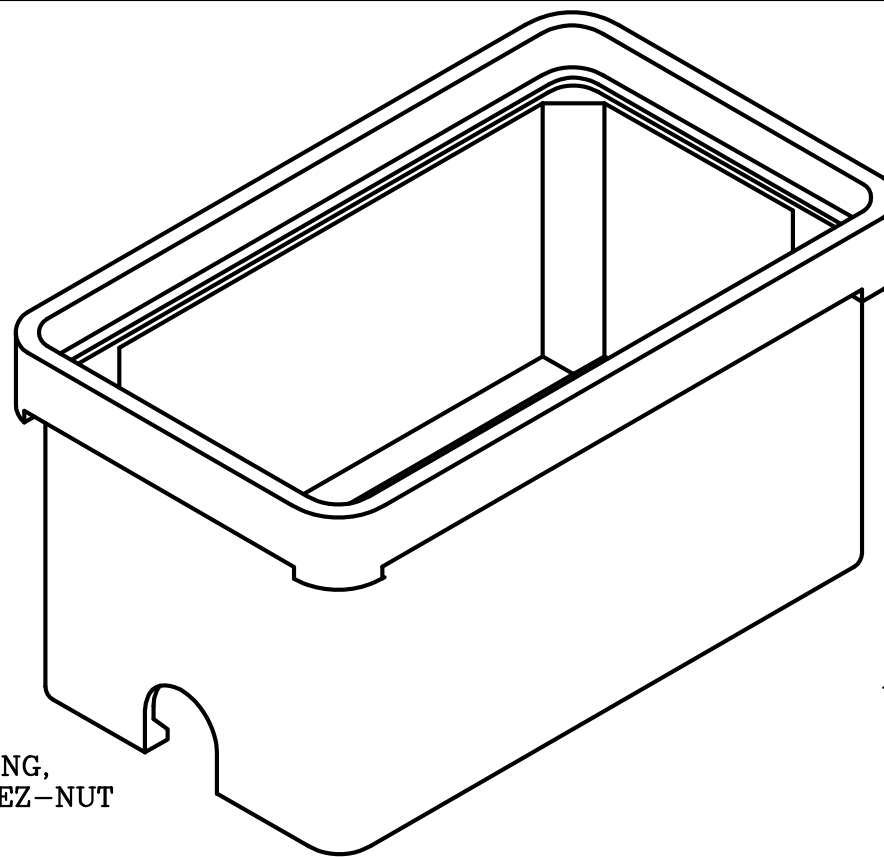
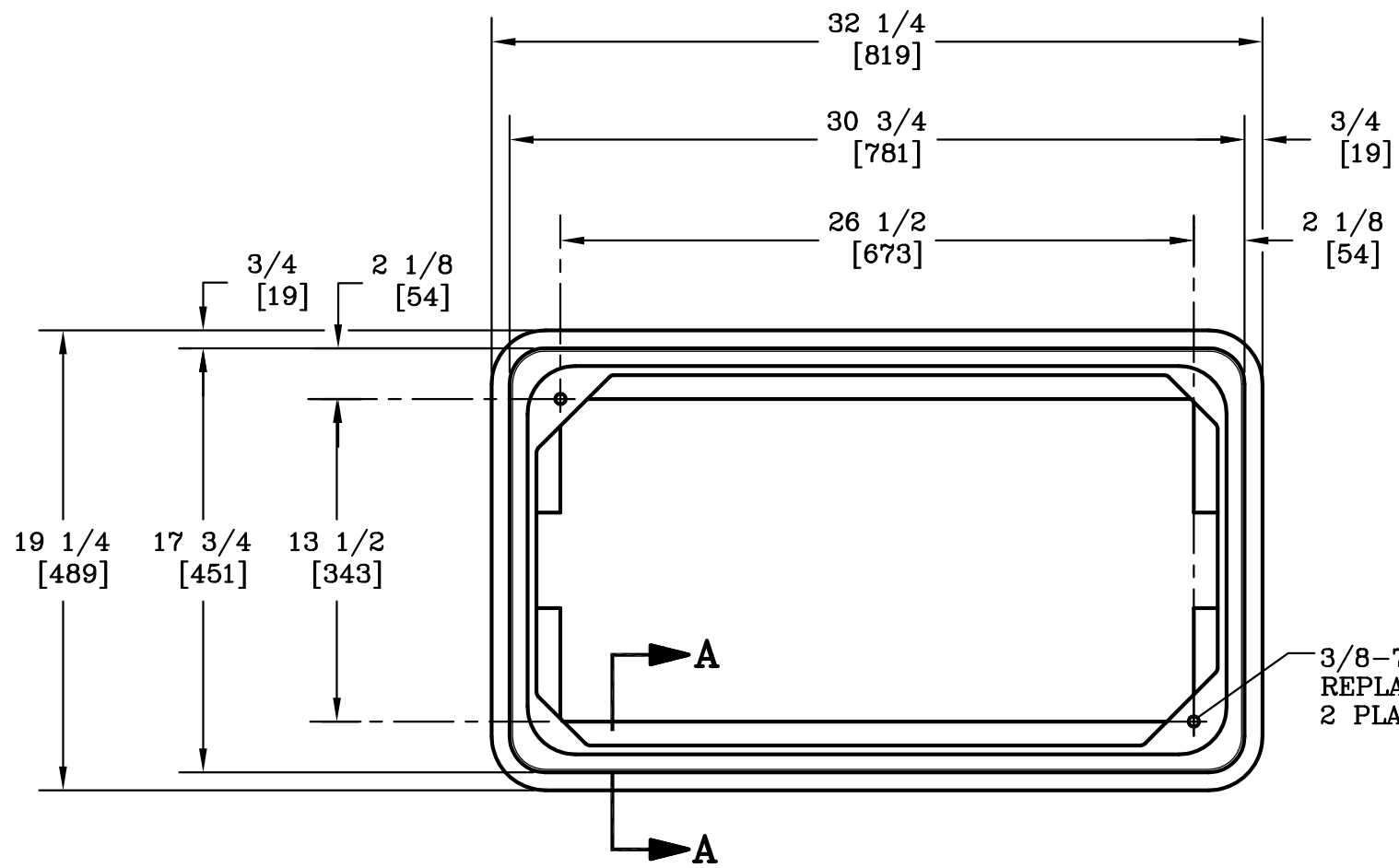
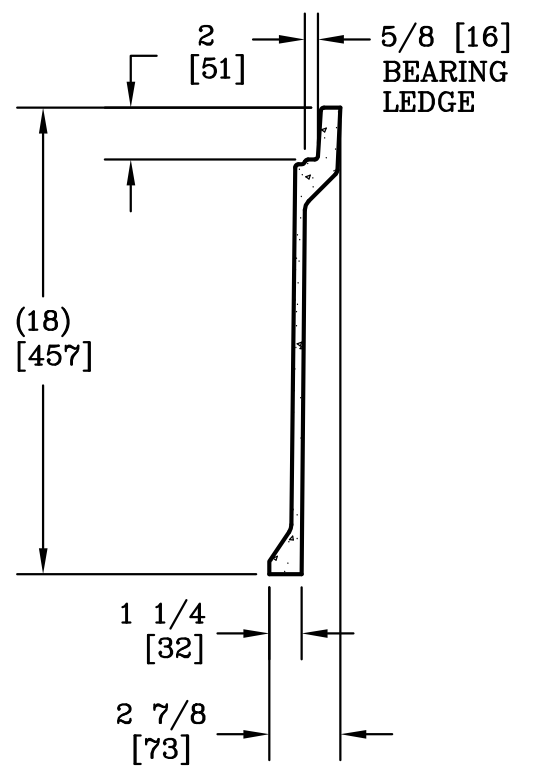


CUSTOMER APPROVAL  
 APPROVED BY: \_\_\_\_\_  
 DATE: \_\_\_\_\_

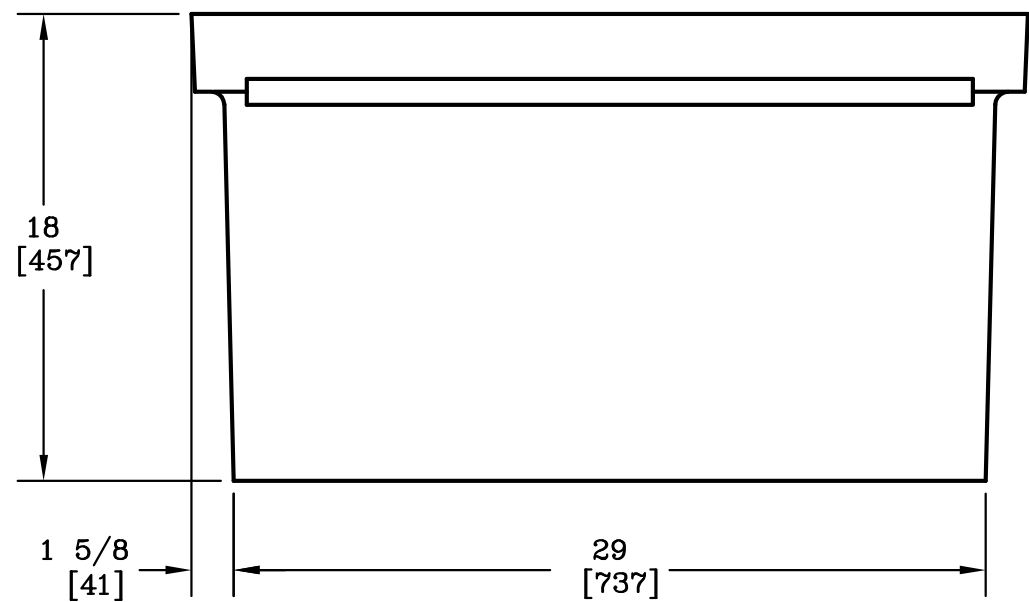


3/8-7 SELF ALIGNING,  
 REPLACEABLE S.S. EZ-NUT  
 2 PLACES

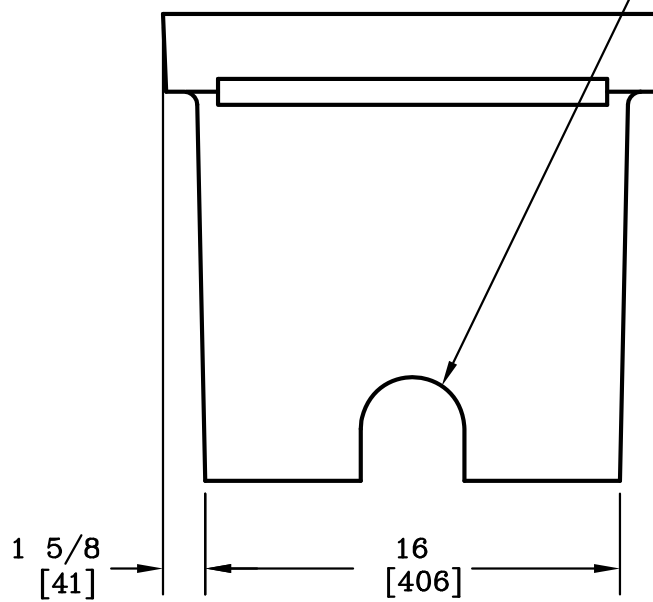


**SECTION A-A**

NOTE:  
 1. THIS BOX IS RATED FOR  
 ANSI/SCTE 77 2010 TIER 22.



2X 4 [102] X 4 [102] MOUSEHOLES  
 (1 CENTERED EACH END)



DIMENSIONS ARE IN INCHES OR MILLIMETERS IN BRACKETS UNLESS OTHERWISE NOTED.					
DRN	BY	DATE	WEIGHT	3621 INDUSTRIAL PARK DR LENOIR CITY, TN 37771 800-346-3062 www.quazite.com	LOC
CHK	WRJ	7/15/91	87# 39kg		S
ENG	FPD	7/16/91	SCALE	DRAWING DESCRIPTION	REV
APR	M&F	7/16/91	1 1/2"=1'		C
APR	VJB	7/16/91	SIZE		3/12
PROJECT NUMBER			B		
91206			QUAZITE® 17X30X18 BOX W/ 4X4 MOUSEHOLES		DRAWING NUMBER
SHEET 1 OF 1			PG1730BB18		