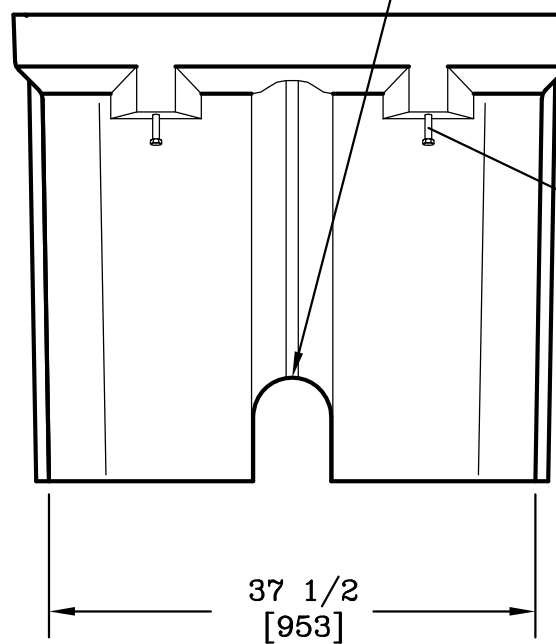
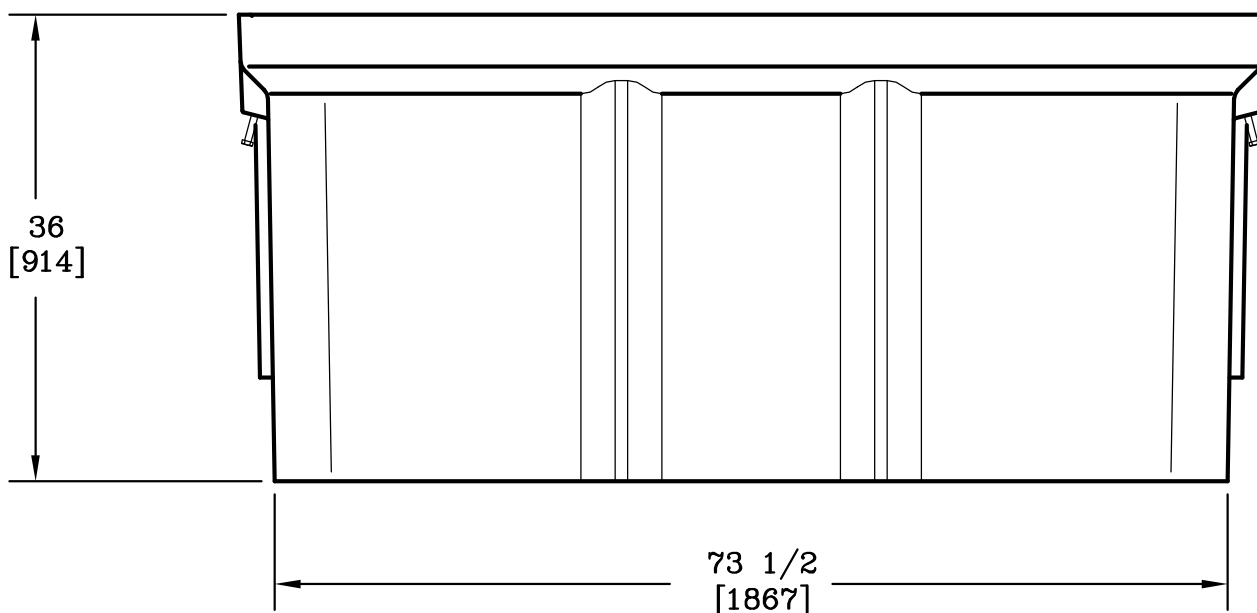
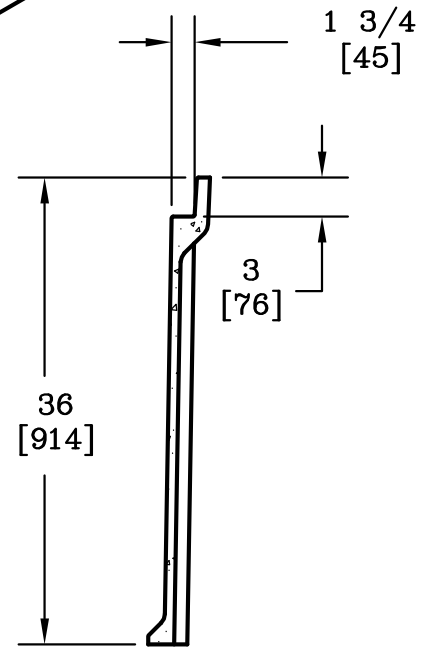


1/2-6 SELF ALIGNING,
REPLACEABLE S.S. EZ-NUT
2 PLACES

6 [152] X 8 [203] MOUSEHOLE
(ONE CENTERED EACH END)




1/2-13 UNC
LIFTING BOLT
4 PLACES



SECTION A-A

NOTE:

1. DIMENSIONS IN BRACKETS ARE IN MILLIMETERS UNLESS OTHERWISE SPECIFIED

DIMENSIONS ARE IN INCHES OR MILLIMETERS IN BRACKETS UNLESS OTHERWISE NOTED.					
DRN	BY	DATE	WEIGHT	 3621 INDUSTRIAL PARK DR LENOIR CITY, TN 37771 800-346-3062 www.quazite.com	LOC
CHK	ENG	APR	768# 348kg		S
APR	APR	APR	SCALE	QUAZITE® BOX	REV
			3/4"=1'		D
			SIZE		3/12
PROJECT NUMBER			DRAWING NUMBER		
04683			PG3672BB36		
SHEET 1 OF 1					