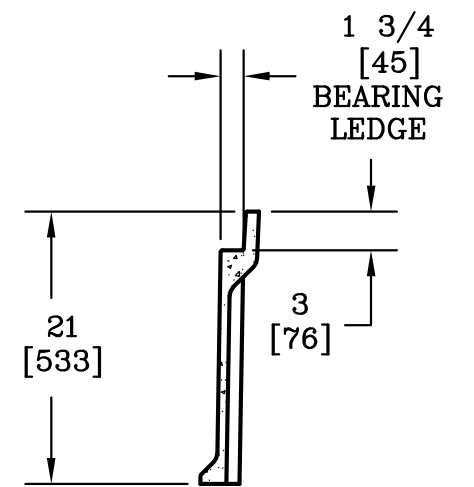


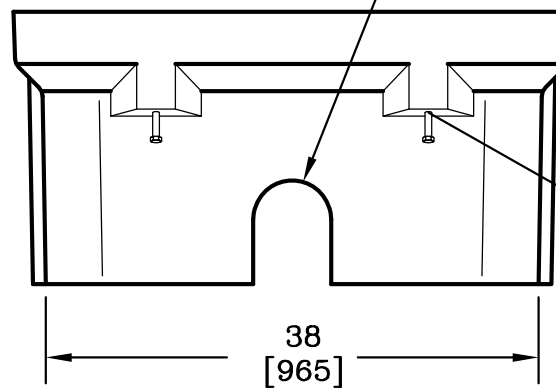
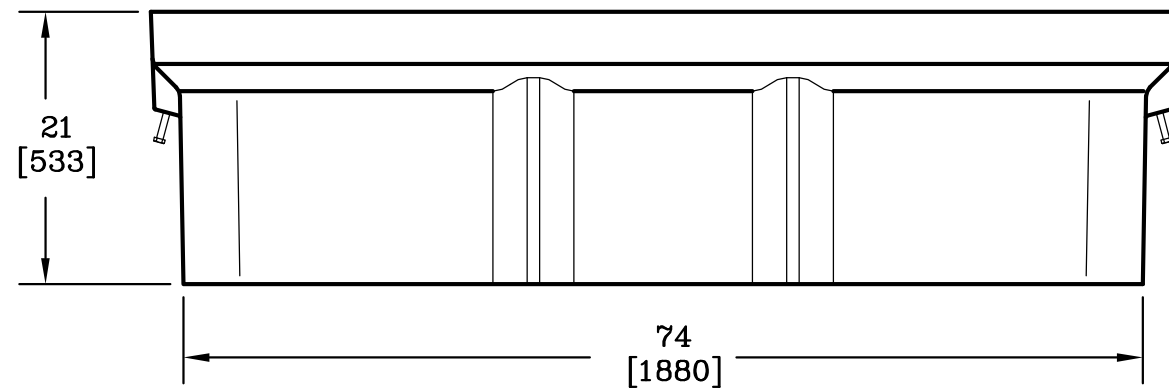
1/2-6 SELF ALIGNING,
REPLACEABLE S.S. EZ-NUT
2 PLACES

6 [152] X 8 [203] MOUSEHOLE
(ONE CENTERED EACH END)

1/2-13 UNC
LIFTING BOLT
4 PLACES




SECTION A-A



NOTE:

1. DIMENSIONS IN BRACKETS ARE
IN MILLIMETERS UNLESS OTHERWISE
SPECIFIED

DIMENSIONS ARE IN INCHES OR MILLIMETERS IN BRACKETS UNLESS OTHERWISE NOTED.					
DRN	BY	DATE	WEIGHT	 3621 INDUSTRIAL PARK DR LENOIR CITY, TN 37771 800-346-3062 www.quazite.com	LOC
CHK	ENG	SCALE	445# 202kg		S
APR	APR	SIZE	3/4"=1'		REV
APR	APR	B			C
PROJECT NUMBER			DRAWING DESCRIPTION		3/12
04682			QUAZITE® BOX		
SHEET 1 OF 1				DRAWING NUMBER	
				PG3672BB21	