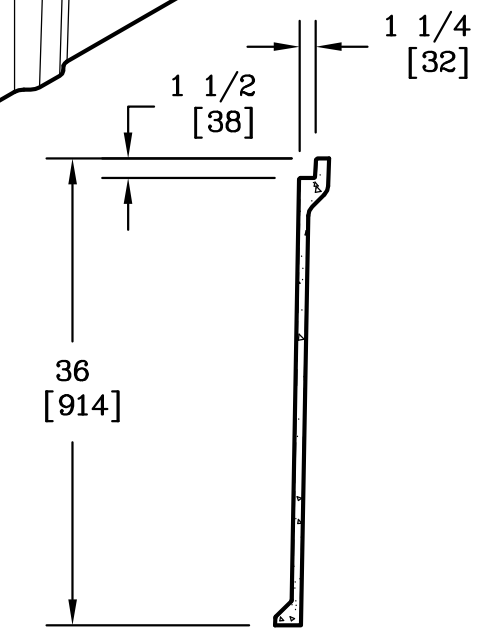
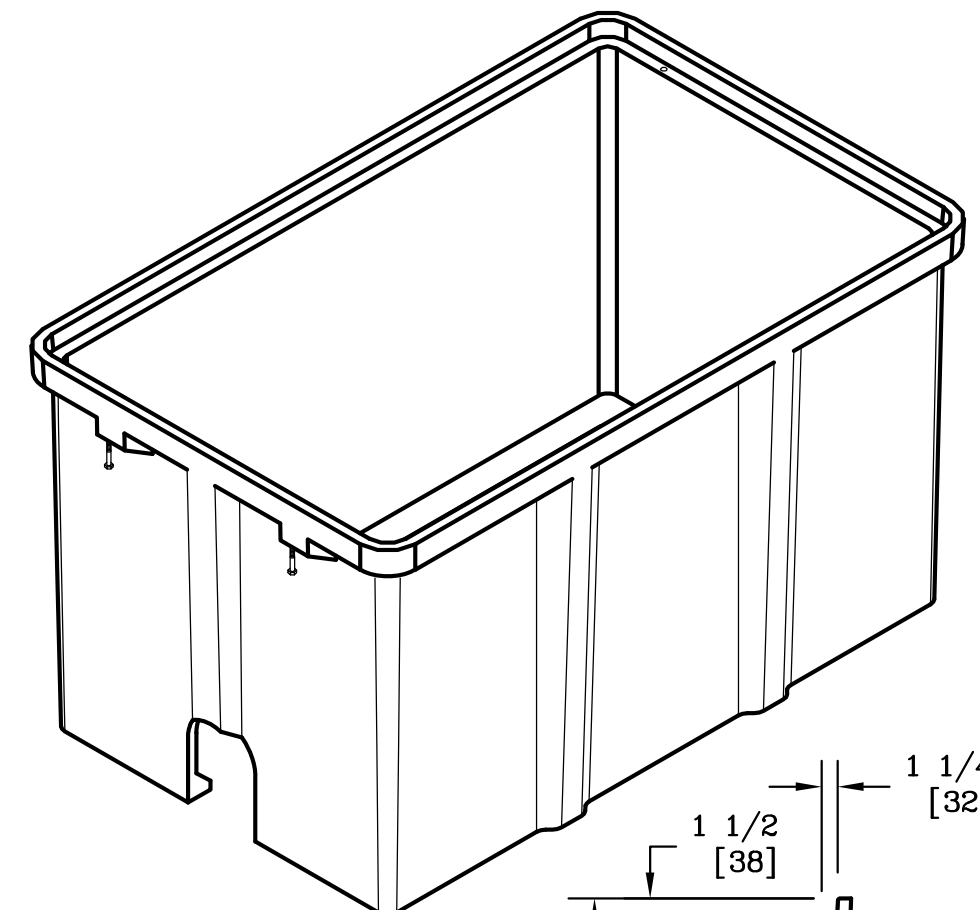


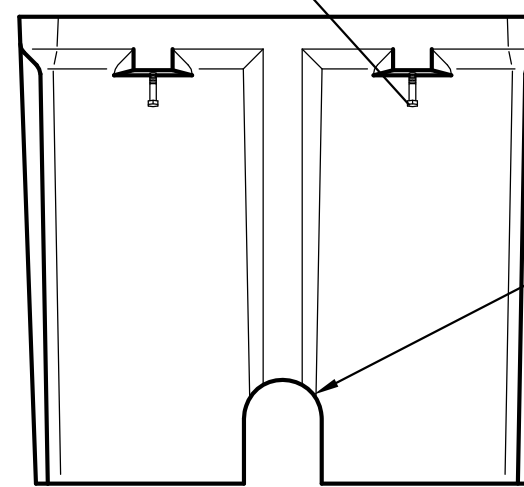
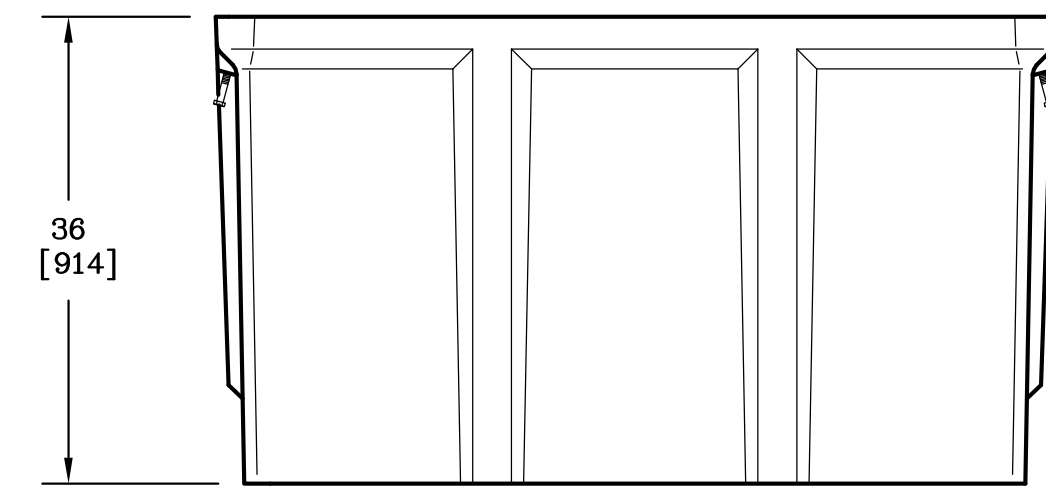
1/2-6 SELF ALIGNING,
REPLACEABLE S.S. EZ-NUT
2 PLACES

A



SECTION A-A


1/2-13 UNC
LIFTING BOLT
4 PLACES



6 [152] X 8 [203] MOUSEHOLE
(ONE CENTERED EACH END)

NOTE:

1. THIS BOX IS RATED FOR ANSI/SCTE 77 2007 TIER 22.

DIMENSIONS ARE IN INCHES OR MILLIMETERS IN BRACKETS UNLESS OTHERWISE NOTED.				 3621 INDUSTRIAL PARK DR LENOIR CITY, TN 37771 800-346-3062 www.quazite.com		LOC
DRN	BY	DATE	WEIGHT	DRAWING DESCRIPTION	QUAZITE® 36 X 60 X 36 BOX W/ (2) 6" X 8" MH'S STANDARD VERSION	LC
CHK	ENG	SCALE	588# 267kg			S
APR	APR	SIZE	3/4"=1'			REV
APR		B				C
PROJECT NUMBER						3/12
00256			SHEET 1 OF 1		DRAWING NUMBER	
					PG3660BB36	