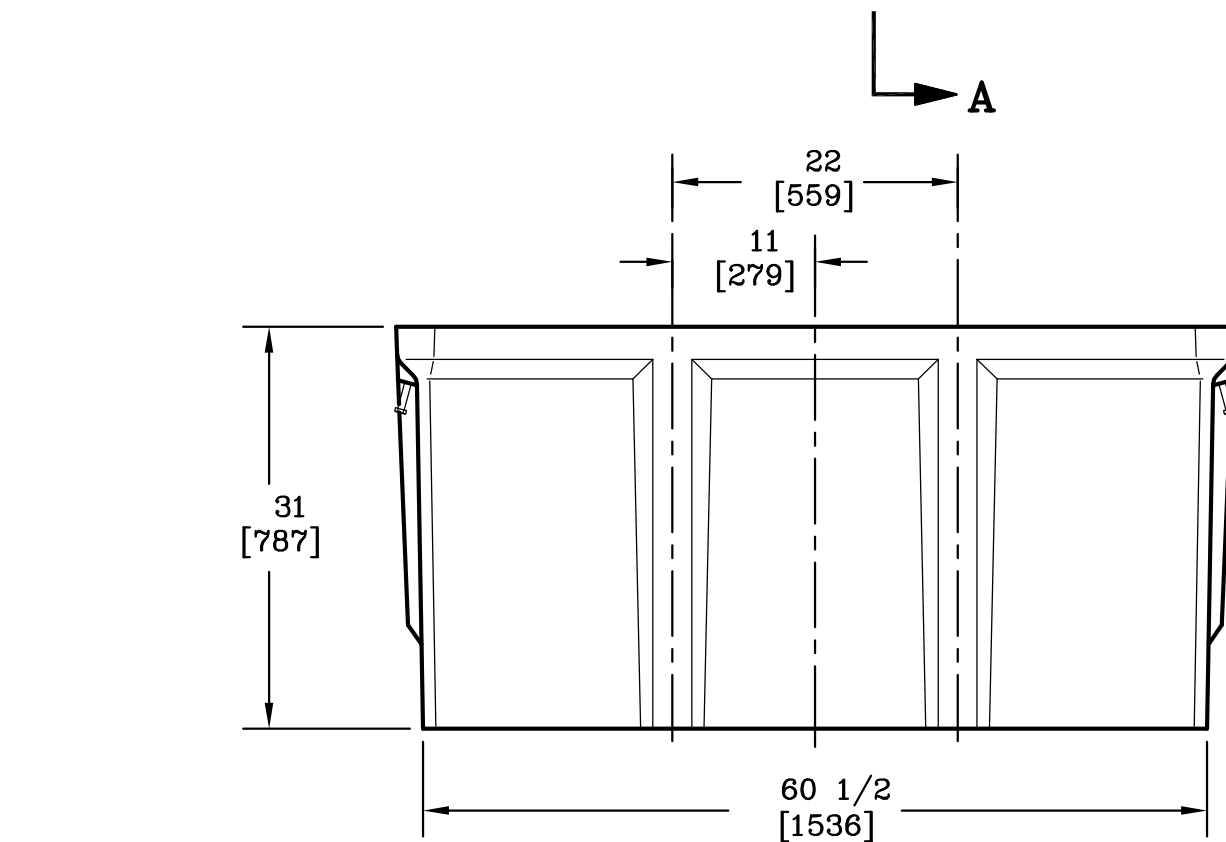
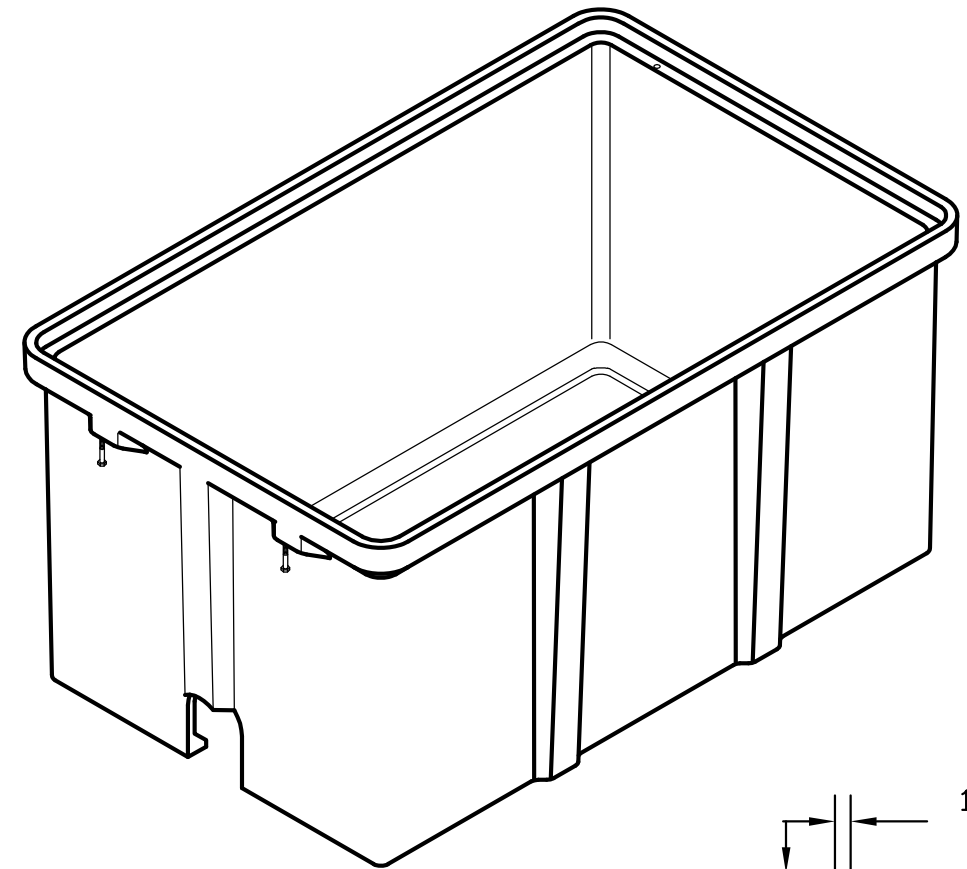
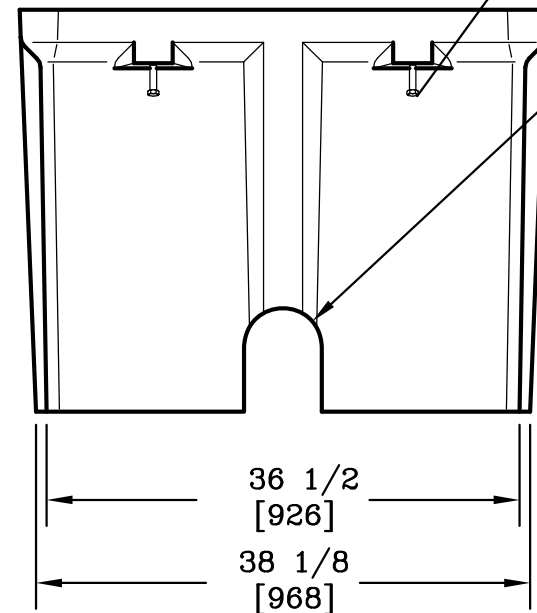


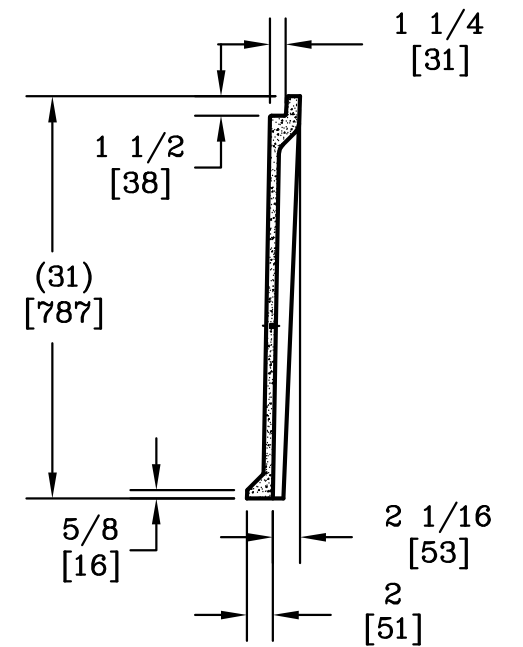
1/2-6 SELF ALIGNING,  
REPLACEABLE S.S. EZ-NUT  
2 PLACES



1/2-13 UNC  
LIFTING BOLT  
4 PLACES




6 [152] x 8 [203] MOUSEHOLE  
(ONE CENTERED EACH END)



**SECTION A-A**

**NOTE:**

1. THIS BOX IS RATED FOR ANSI/SCTE 77 2007 TIER 22.

DIMENSIONS ARE IN INCHES OR MILLIMETERS IN BRACKETS UNLESS OTHERWISE NOTED.					
DRN	BY	DATE	WEIGHT	 3621 INDUSTRIAL PARK DR LENOIR CITY, TN 37771 800-346-3062 www.quazite.com	LOC
CHK	ENG	APR	APR		LC
APR	APR	APR	APR	DRAWING DESCRIPTION <b>QUAZITE® 36 X 60 X 31 BOX</b> <b>W/ (2) 6" X 8" MH'S</b> <b>STANDARD VERSION</b>	REV
PROJECT NUMBER	SHEET 1 OF 1		DRAWING NUMBER		C
<b>00255</b>			<b>PG3660BB31</b>	3/12	