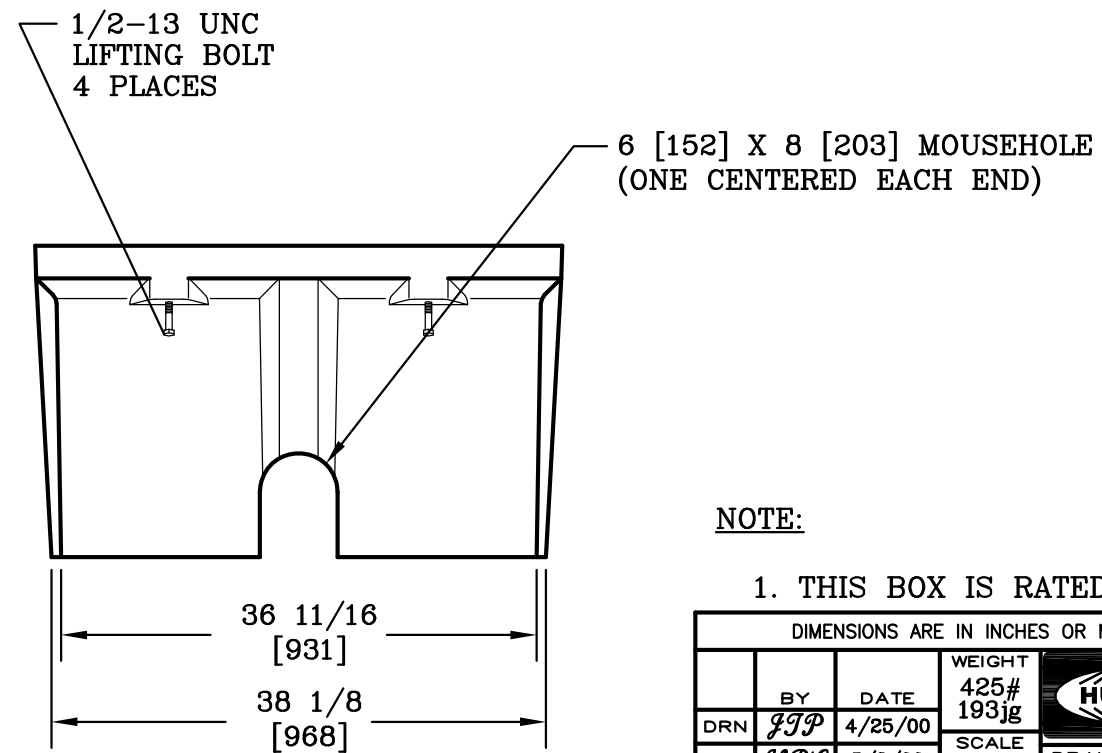
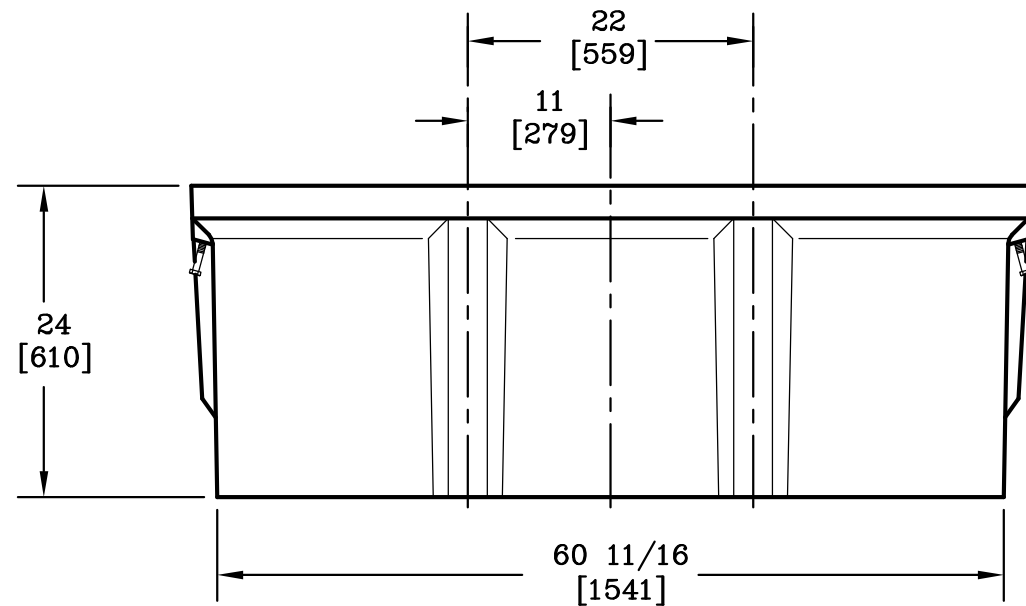


SECTION A-A



NOTE:

1. THIS BOX IS RATED FOR ANSI/SCTE 77 2007 TIER 22.

DIMENSIONS ARE IN INCHES OR MILLIMETERS IN BRACKETS UNLESS OTHERWISE NOTED.				HUBBELL® 3621 INDUSTRIAL PARK DR LENOIR CITY, TN 37771 800-346-3062 www.quazite.com		LOC
DRN	BY	DATE	WEIGHT	DRAWING DESCRIPTION	QUAZITE® 36 X 60 X 24 BOX W/ (2) 6" X 8" MH'S STANDARD VERSION	LC
CHK	ENG	SCALE	425# 193jg			S
APR	APR	SIZE	3/4"=1'			D
APR		B				3/12
PROJECT NUMBER						
00254			SHEET 1 OF 1		DRAWING NUMBER PG3660BB24	