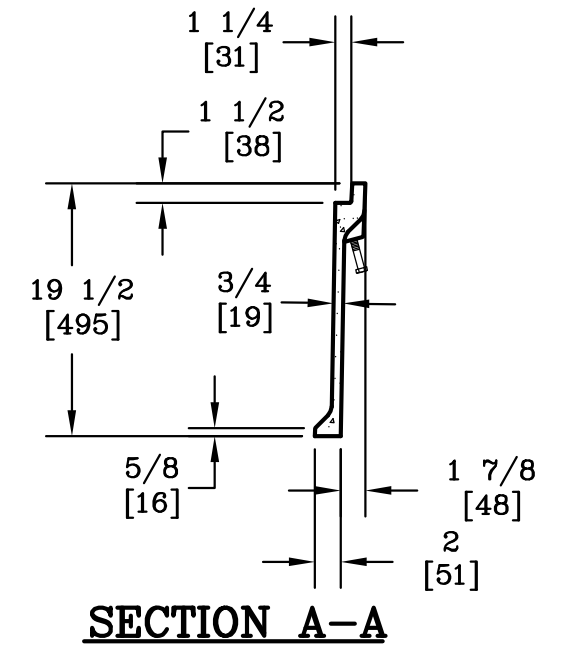
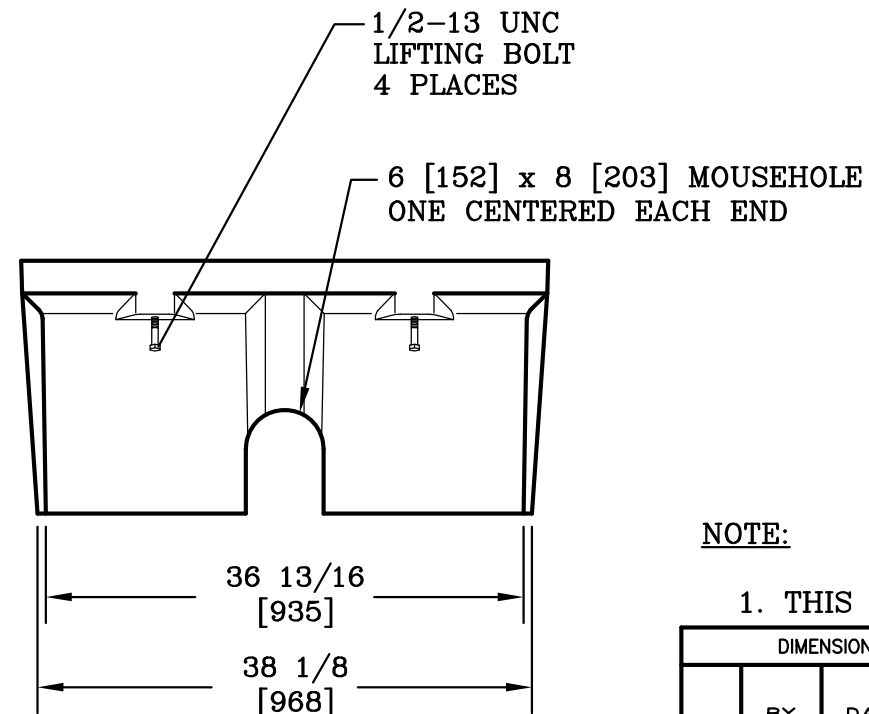
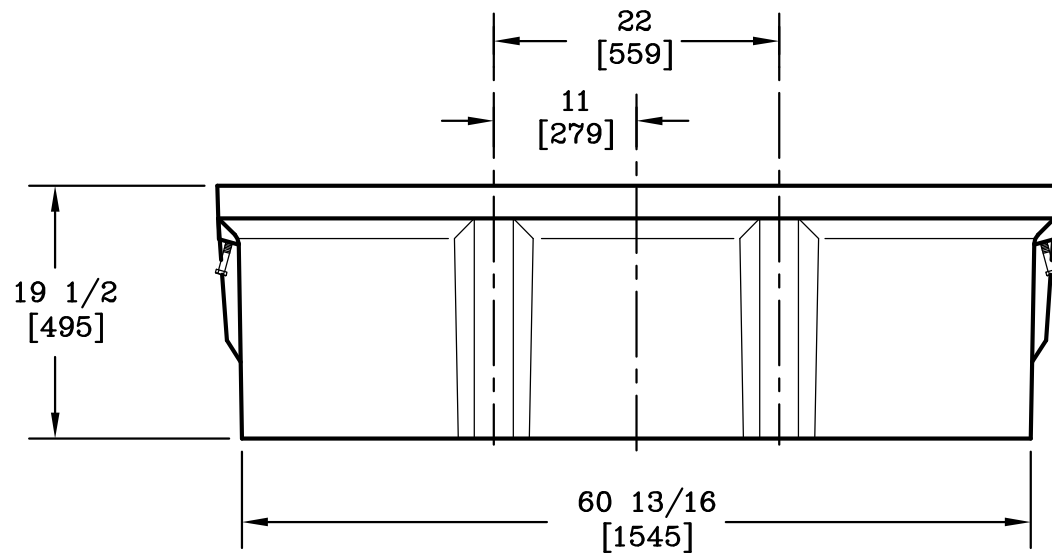
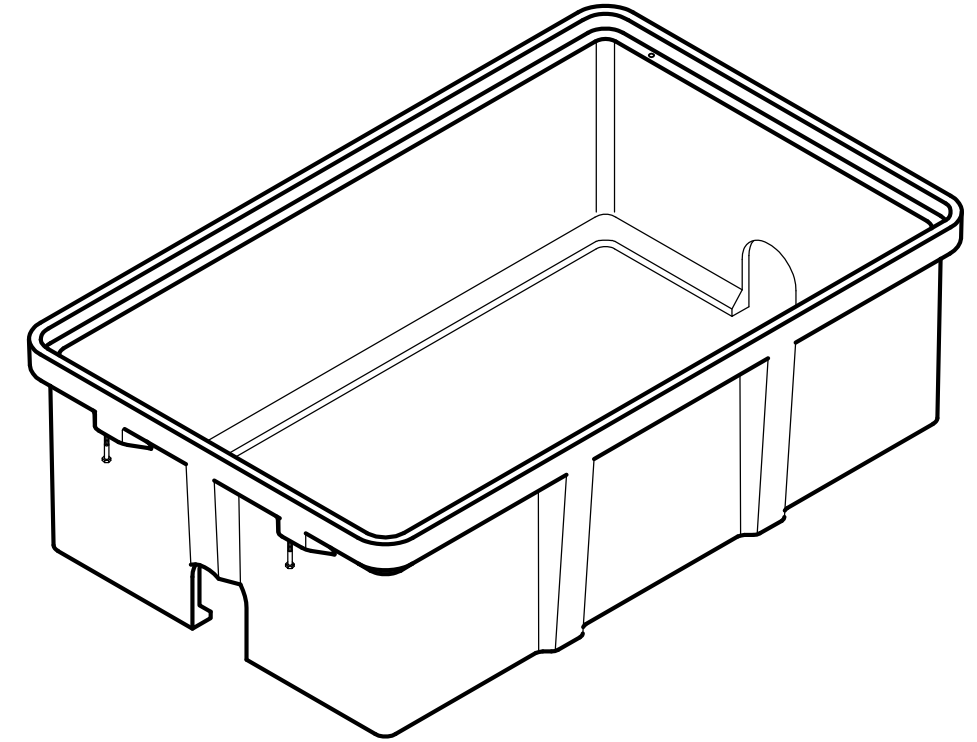


1/2-6 SELF ALIGNING,
REPLACEABLE S.S. EZ-NUT
2 PLACES



NOTE:

1. THIS BOX IS RATED FOR ANSI/SCTE 77 2007 TIER 22.

DIMENSIONS ARE IN INCHES OR MILLIMETERS IN BRACKETS UNLESS OTHERWISE NOTED.				HUBBELL® 3621 INDUSTRIAL PARK DR LENOIR CITY, TN 37771 800-346-3062 www.quazite.com		LOC
DRN	BY	DATE	WEIGHT	DRAWING DESCRIPTION QUAZITE® 36 X 60 X 19 BOX W/ (2) 6" X 8" MH'S STANDARD VERSION	REV	C
CHK	KPB	5/8/00	380# 172kg			
ENG			SCALE			
APR			3/4"=1'			
APR			SIZE			
PROJECT NUMBER			B	DRAWING NUMBER		
00253				PG3660BB19		
SHEET 1 OF 1						