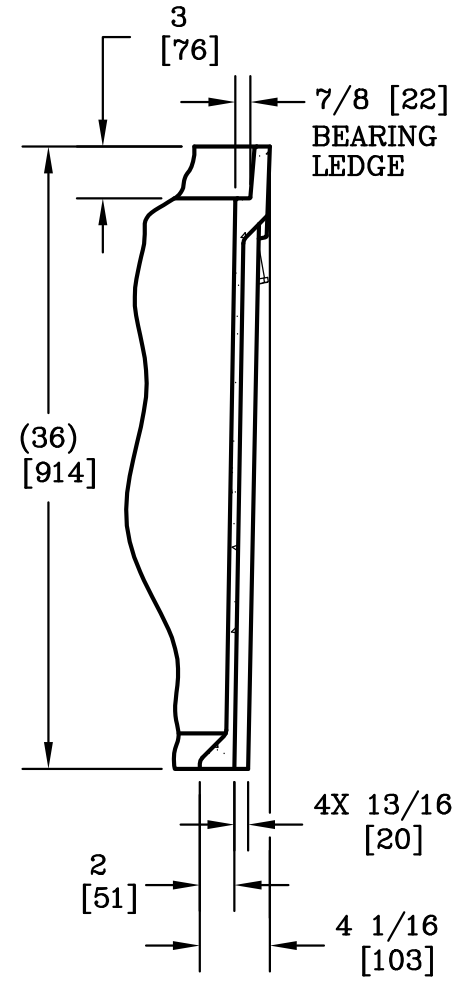


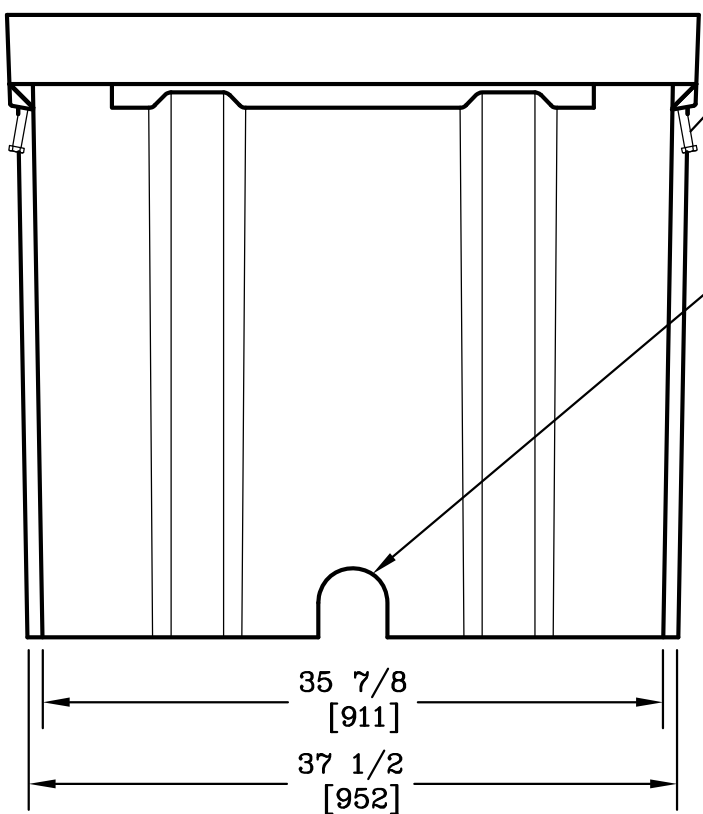
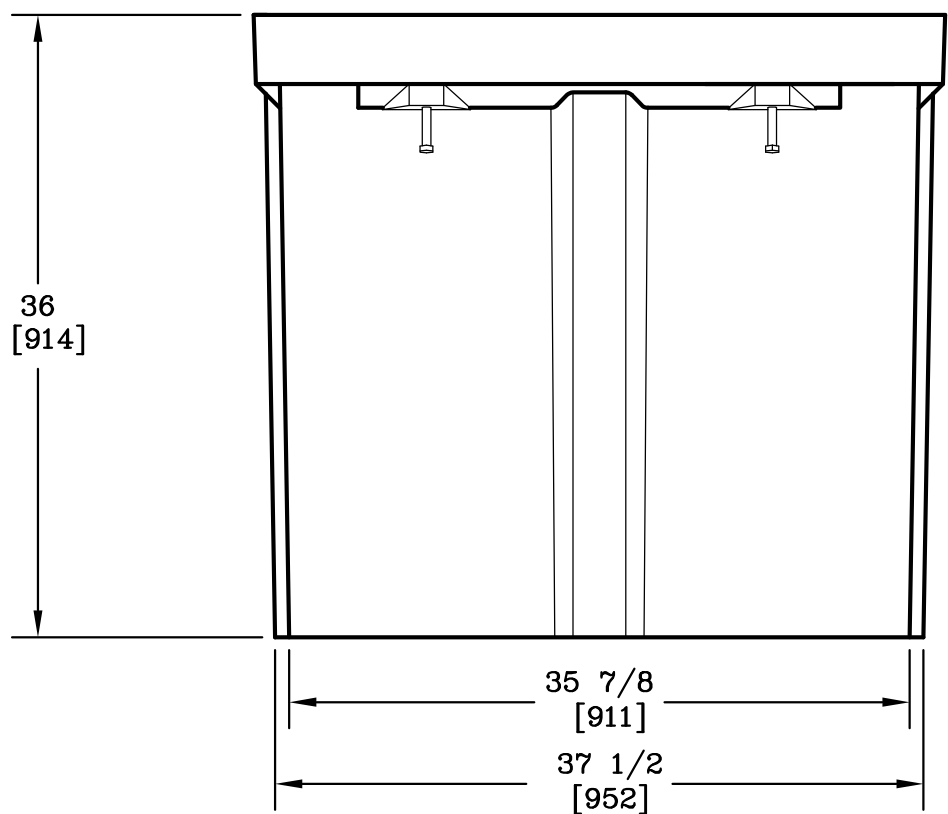
3/8-7 SELF ALIGNING,
REPLACEABLE S.S. EZ-NUT
2 PLACES



SECTION A-A

1/2-13 UNC
LIFTING BOLT
4 PLACES

4 [102] X 4 [102] MOUSEHOLE
(ONE CENTERED EACH END)



NOTE:

1. DIMENSIONS IN BRACKETS ARE IN MILLIMETERS
UNLESS NOTED OTHERWISE.

| DIMENSIONS ARE IN INCHES OR MILLIMETERS IN BRACKETS UNLESS OTHERWISE NOTED. | | | | | | |
|---|-----|-------|---------------|---------------------|---|-----|
| DRN | BY | DATE | WEIGHT | | 3621 INDUSTRIAL PARK DR LENOIR CITY, TN 37771 800-346-3062 www.quazite.com | LOC |
| CHK | ENG | SCALE | 357# 162kg | | | S |
| APR | APR | DATE | SIZE | DRAWING DESCRIPTION | QUAZITE [®] BOX | REV |
| APR | APR | DATE | B | | | B |
| PROJECT NUMBER | | | | DRAWING NUMBER | | |
| 04677 | | | | PG3636BB36 | | |
| SHEET 1 OF 1 | | | | | | |