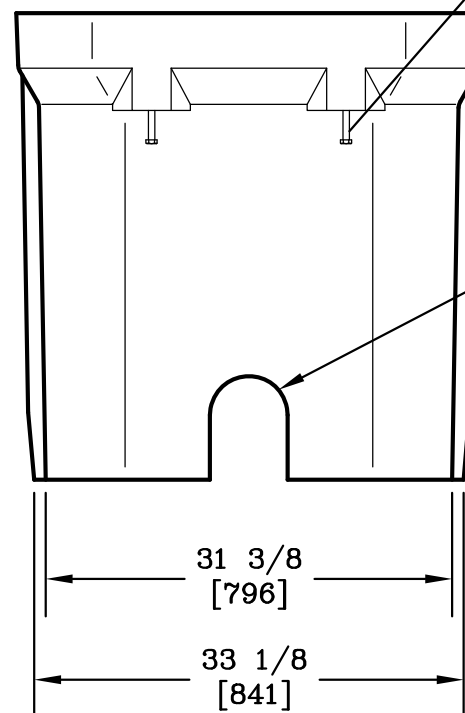
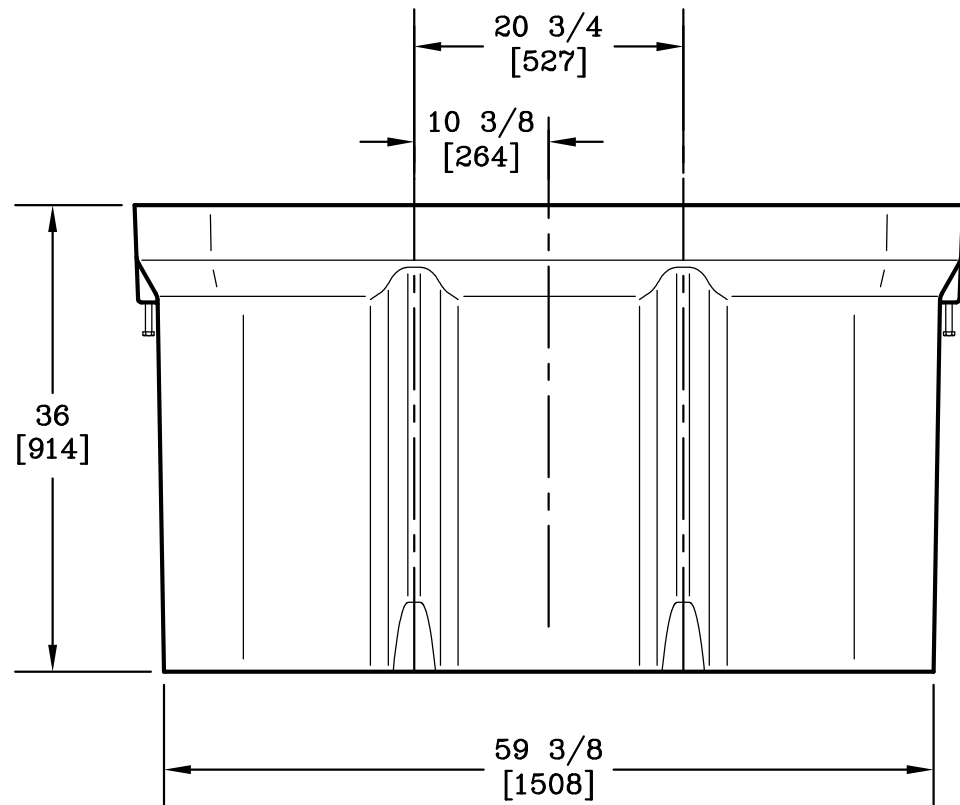
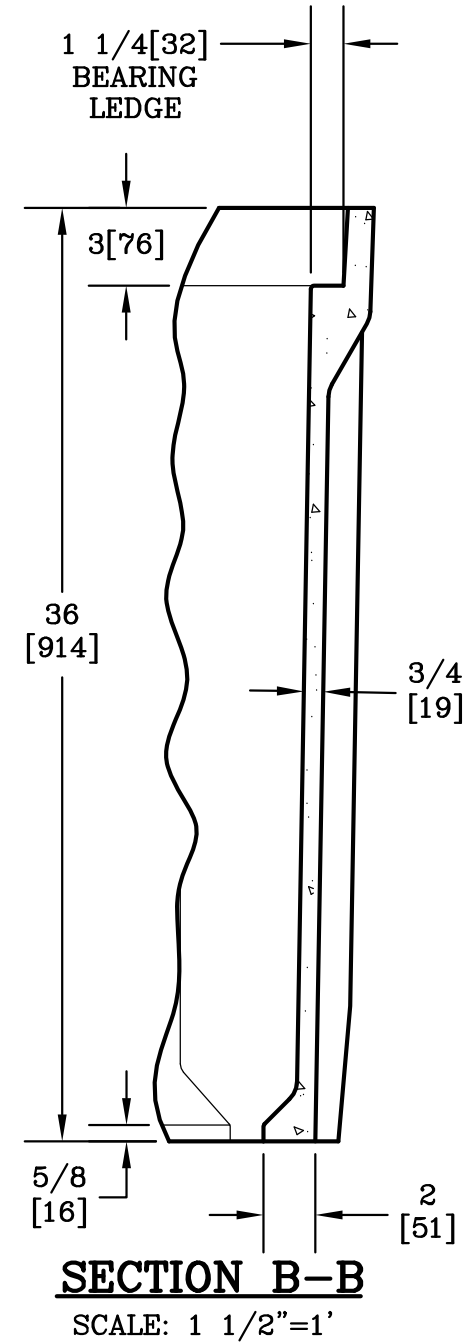
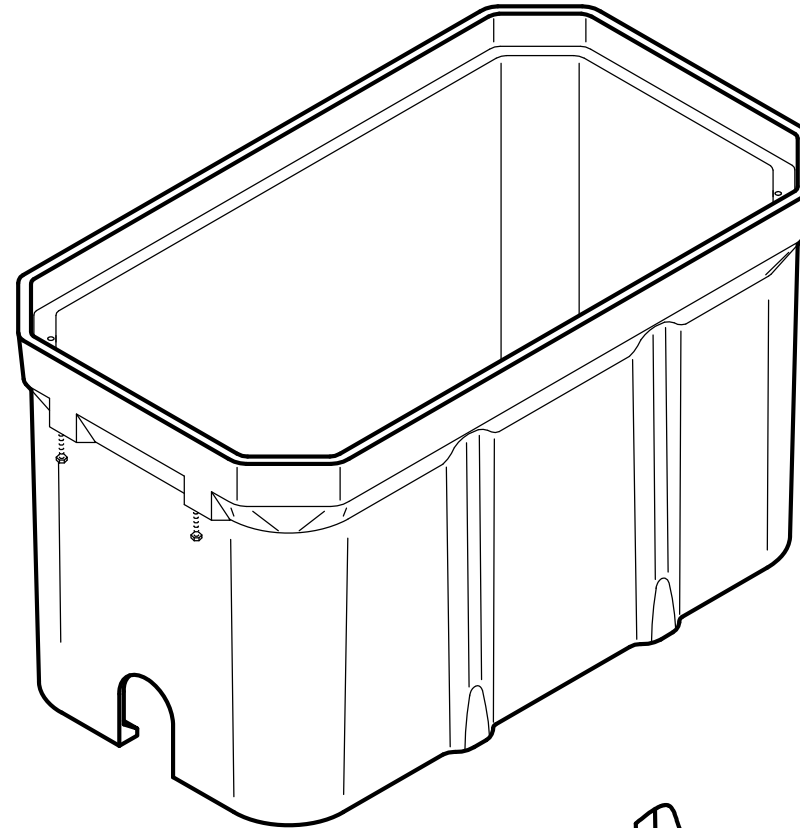
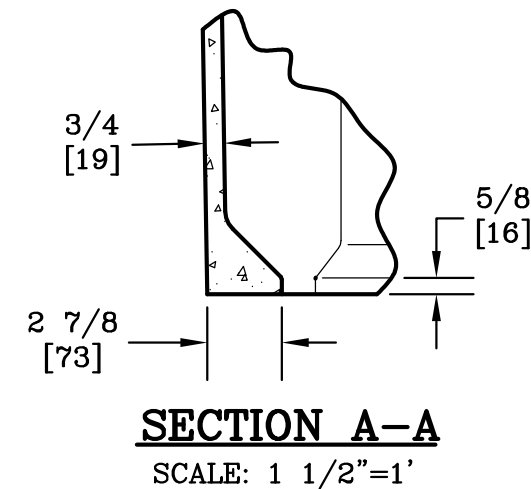


1/2-6 S.S. SELF ALIGNING,  
REPLACEABLE EZ-NUT  
2 PLACES




1/2-13 UNC  
LIFTING BOLT  
4 PLACES

6 [152] X 8 [203] MOUSEHOLE  
(ONE CENTERED EACH END)



**NOTE:**

1. DIMENSIONS IN BRACKETS ARE IN MILLIMETERS UNLESS NOTED OTHERWISE.

DIMENSIONS ARE IN INCHES OR MILLIMETERS IN BRACKETS UNLESS OTHERWISE NOTED.						
DRN	BY	DATE	WEIGHT	 3621 INDUSTRIAL PARK DR LENOIR CITY, TN 37771 800-346-3062 www.quazite.com	LOC	
CHK	ENG	APR	APR		565# 256kg	S
				SCALE	DRAWING DESCRIPTION	
				3/4"=1'	<b>QUAZITE®</b> <b>BOX</b>	REV
				SIZE		D
				B		3/12
PROJECT NUMBER			DRAWING NUMBER			
00282			PG3060BB36			
SHEET 1 OF 1						