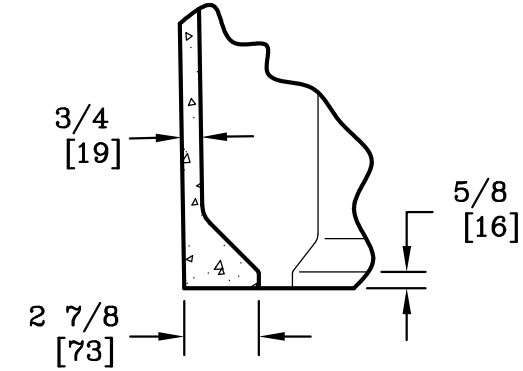


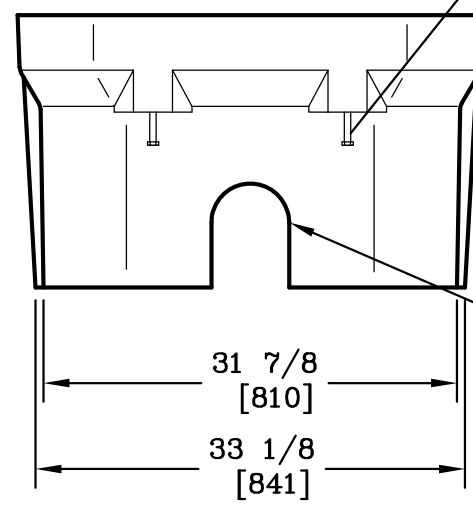
SECTION B-B
SCALE: 1 1/2"=1'

1/2-6 S.S. SELF ALIGNING,
REPLACEABLE EZ-NUT
2 PLACES



SECTION A-A
SCALE: 1 1/2"=1'

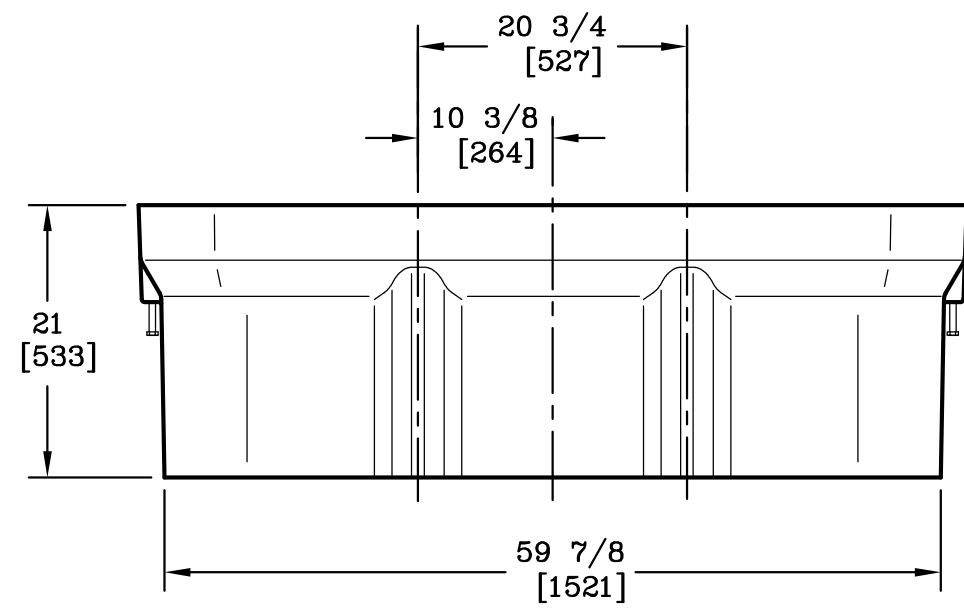
1/2-13 UNC
LIFTING BOLT
4 PLACES




6 [152] X 8 [203] MOUSEHOLE
(1 CENTERED EACH END)

NOTE:

1. DIMENSIONS IN BRACKETS ARE IN MILLIMETERS UNLESS NOTED OTHERWISE.



DIMENSIONS ARE IN INCHES OR MILLIMETERS IN BRACKETS UNLESS OTHERWISE NOTED.					
DRN	BY	DATE	WEIGHT		3621 INDUSTRIAL PARK DR LENOIR CITY, TN 37771 800-346-3062 www.quazite.com
CHK			350# 159kg		
ENG			SCALE	DRAWING DESCRIPTION	LOC C
APR			3/4"=1'		
APR			SIZE B		
PROJECT NUMBER			DRAWING NUMBER		3/12
00280			PG3060BB21		
SHEET 1 OF 1					