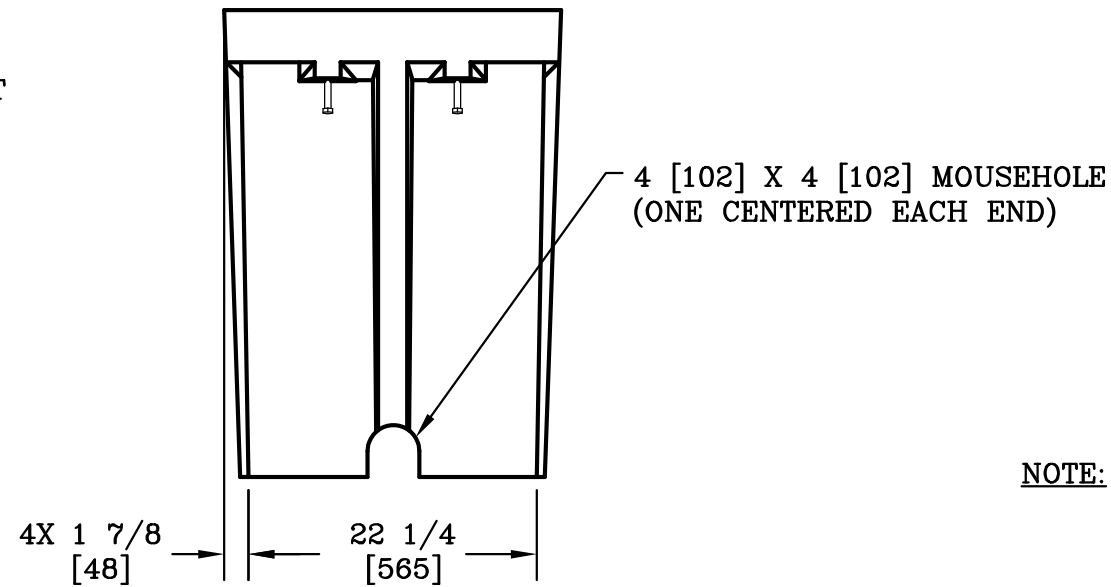
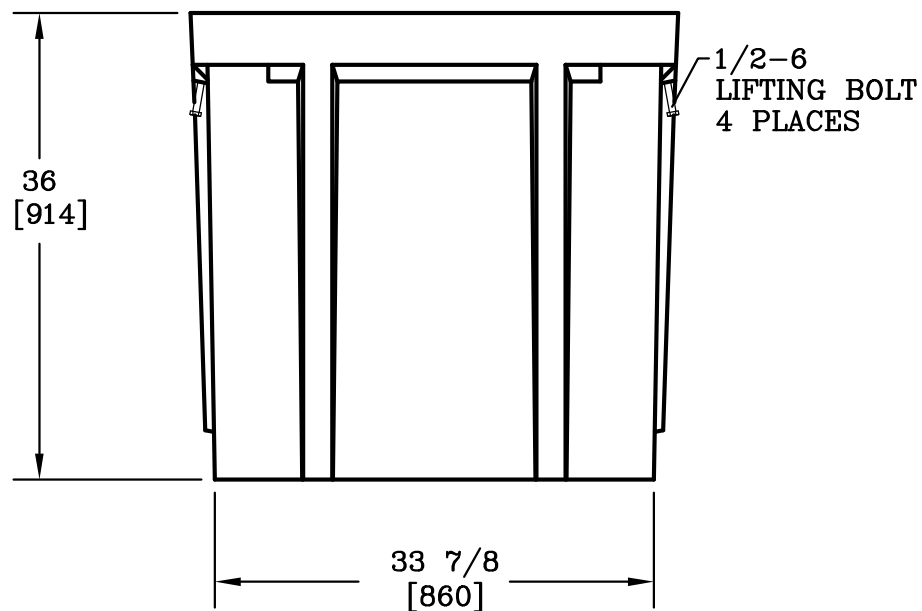



SECTION A-A
SCALE: 1 1/2"=1'



NOTE:

1. DIMENSIONS IN BRACKETS ARE IN MILLIMETERS UNLESS NOTED OTHERWISE.

DIMENSIONS ARE IN INCHES OR MILLIMETERS IN BRACKETS UNLESS OTHERWISE NOTED.					
DRN	BY	DATE	WEIGHT	 3621 INDUSTRIAL PARK DR LENOIR CITY, TN 37771 800-346-3062 www.quazite.com	LOC
			274# 124kg		
CHK			SCALE	DRAWING DESCRIPTION QUAZITE® BOX	S REV
ENG			3/4"=1'		
APR			SIZE		
APR			B		
PROJECT NUMBER			DRAWING NUMBER		
06961			PG2436BB36		
SHEET 1 OF 1					

