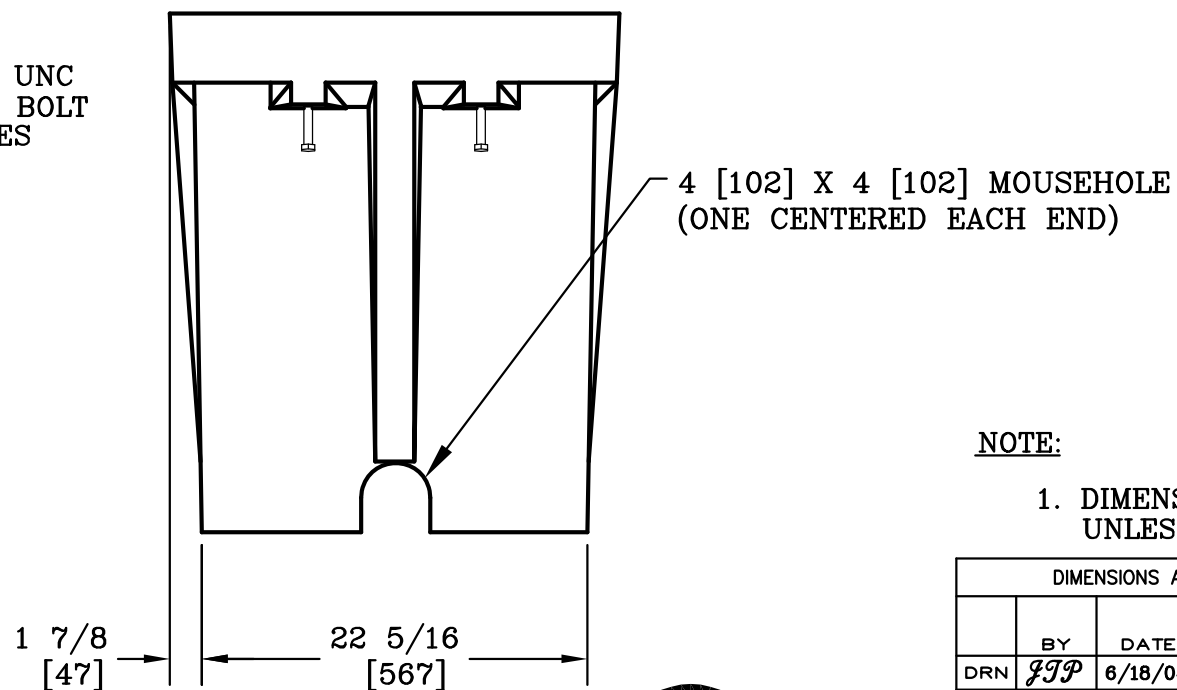
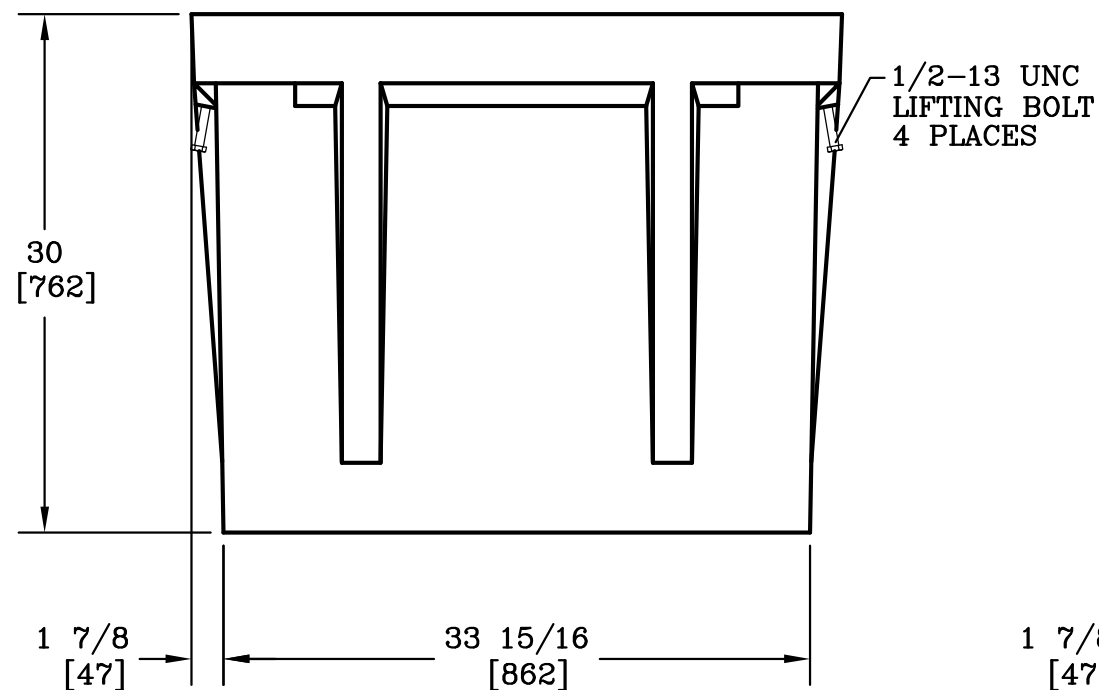



**SECTION A-A**  
SCALE: 1"=6"



**NOTE:**

1. DIMENSIONS IN BRACKETS ARE IN MILLIMETERS UNLESS NOTED OTHERWISE.

		DIMENSIONS ARE IN INCHES OR MILLIMETERS IN BRACKETS UNLESS OTHERWISE NOTED.			
DRN	BY	DATE	WEIGHT	 3621 INDUSTRIAL PARK DR LENOIR CITY, TN 37771 800-346-3062 www.quazite.com	LOC
			190# 86kg		
CHK			SCALE	<b>QUAZITE® BOX</b>	S REV
ENG			1"=1'		C
APR			SIZE		3/12
APR			B		
PROJECT NUMBER			DRAWING NUMBER		
04654			PG2436BB30		
SHEET 1 OF 1					

