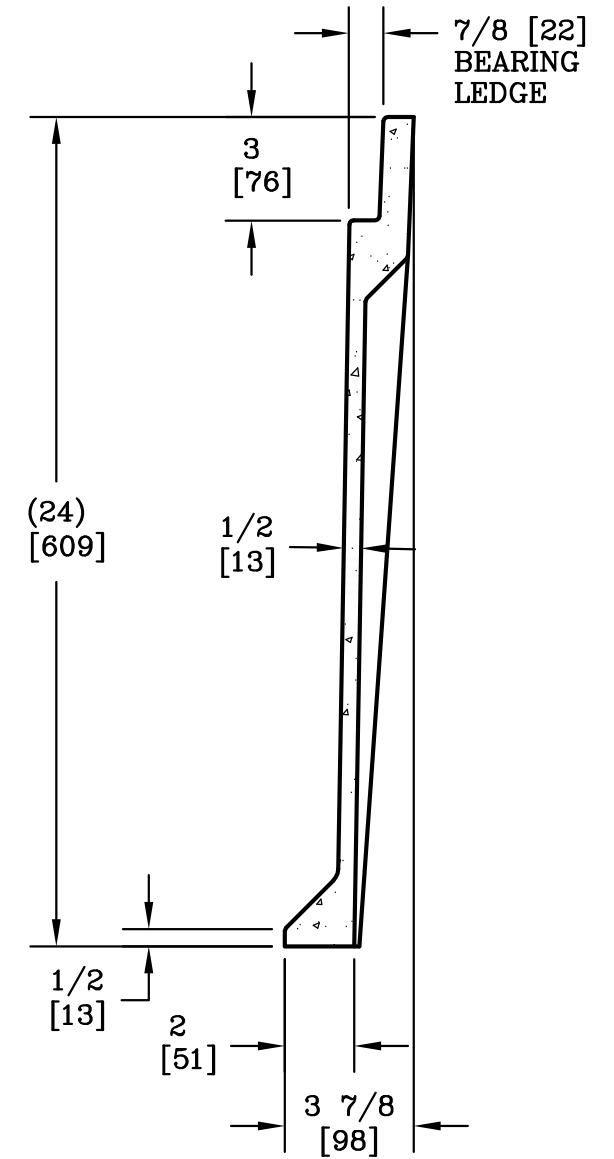
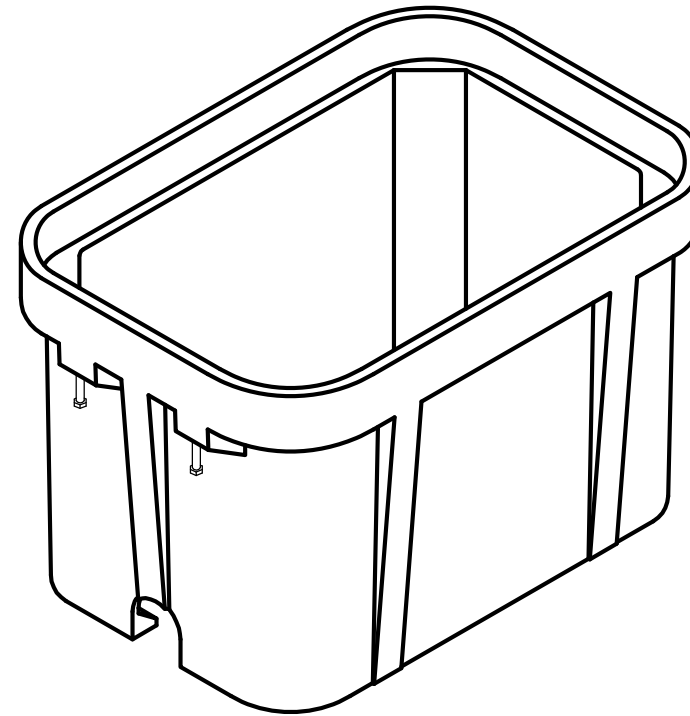
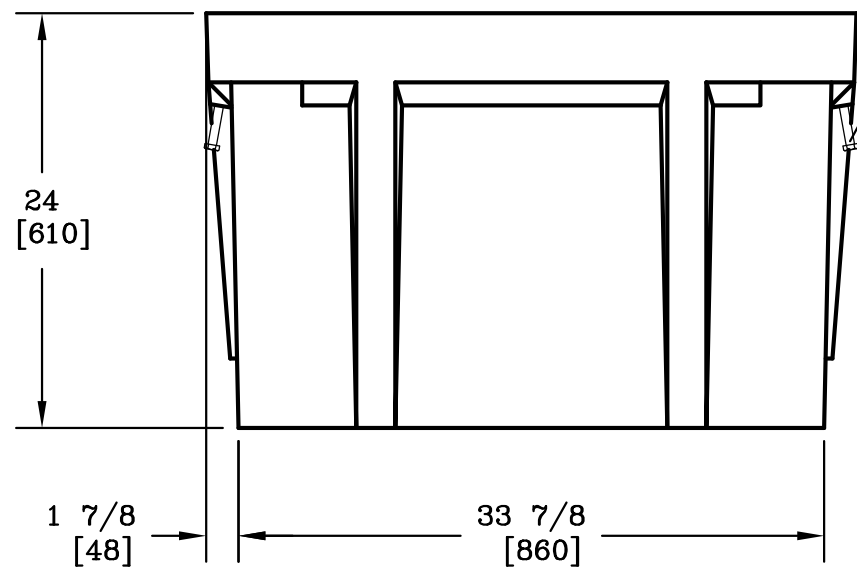


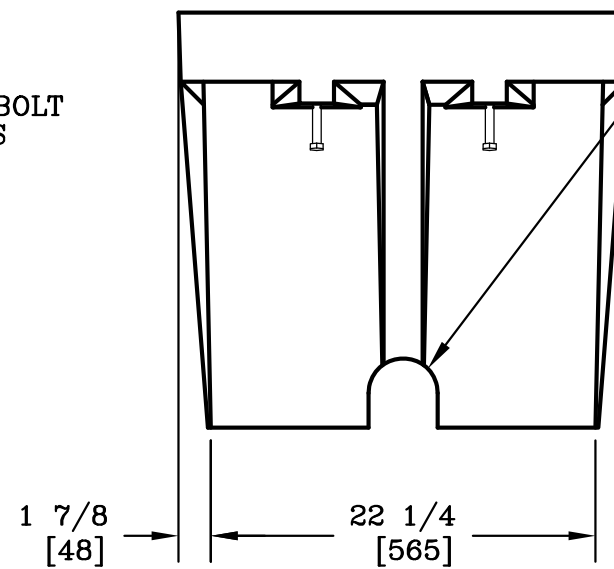
3/8-7 SELF ALIGNING,  
REPLACEABLE S.S. EZ-NUT  
2 PLACES



**SECTION A-A**  
SCALE: 6"=1'



1/2-13  
LIFTING BOLT  
4 PLACES



2X 4 [102] X 4 [102]  
MOUSEHOLE (1 EACH END)

**NOTE:**

1. DIMENSIONS IN BRACKETS ARE IN MILLIMETERS UNLESS NOTED OTHERWISE.



DIMENSIONS ARE IN INCHES OR MILLIMETERS IN BRACKETS UNLESS OTHERWISE NOTED.					
DRN	BY	DATE	WEIGHT	3621 INDUSTRIAL PARK DR LENOIR CITY, TN 37771 800-346-3062 www.quazite.com	LOC
CHK	ENG	APR	181# 82kg		S
APR	APR	APR	SCALE	DRAWING DESCRIPTION	REV
			1"=1'		F
			SIZE	<b>QUAZITE® BOX</b>	3/12
			B		
PROJECT NUMBER				DRAWING NUMBER	
93641				PG2436BB24	
SHEET 1 OF 1					