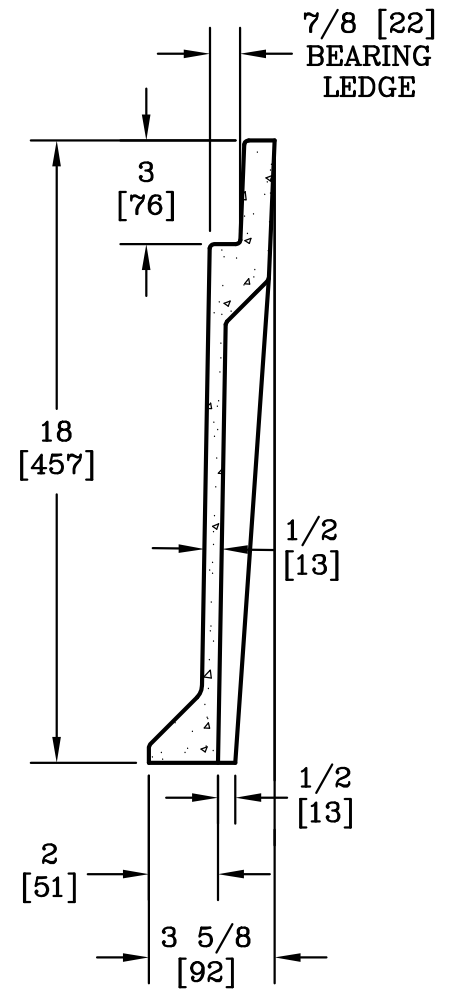
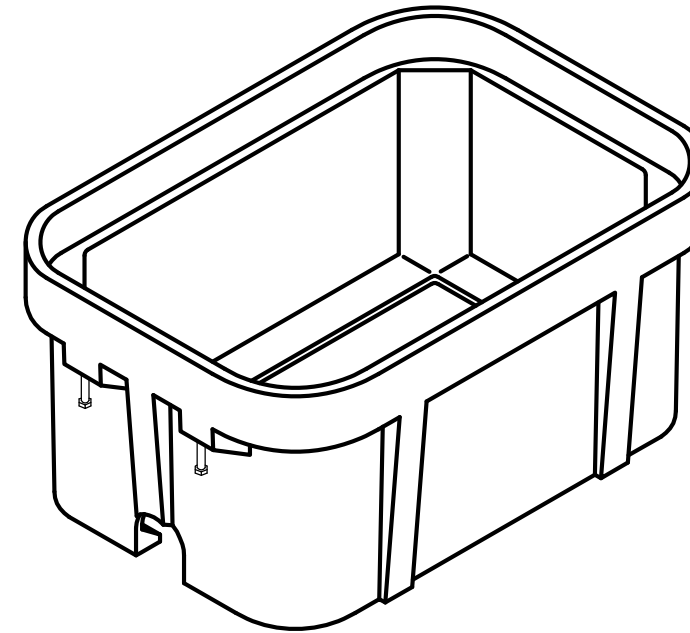
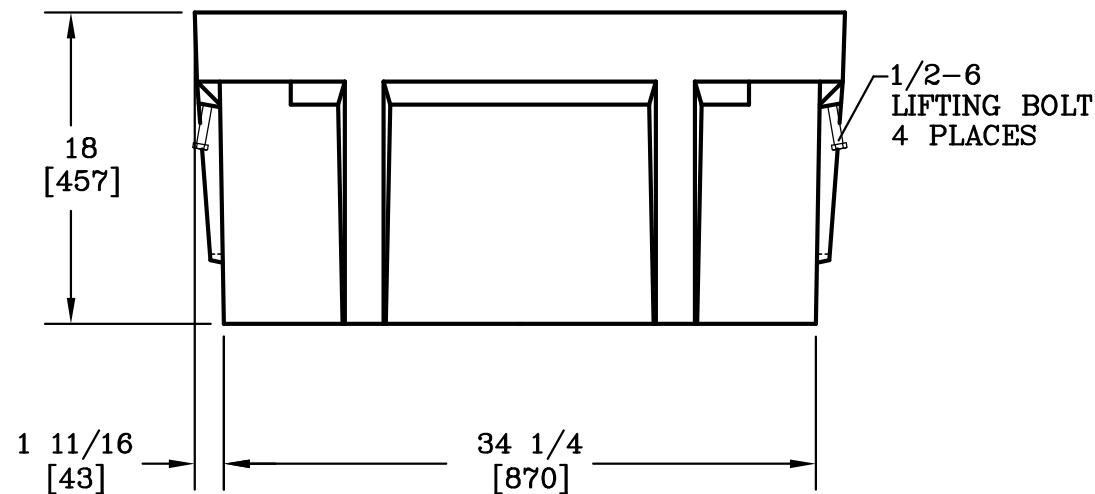


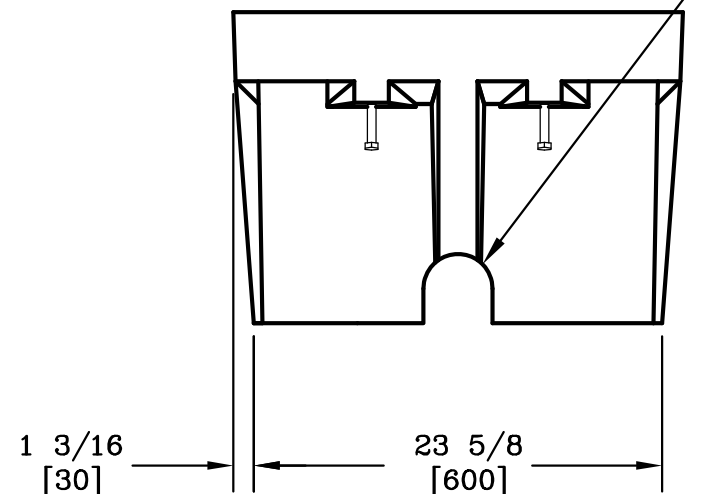
3/8-7 SELF ALIGNING,  
REPLACEABLE S.S. EZ-NUT  
2 PLACES



**SECTION A-A**  
SCALE: 1 1/2"=1"




2X 4 [102] X 4 [102]  
MOUSEHOLE  
(ONE EACH END)



NOTE:

1. DIMENSIONS IN BRACKETS ARE IN MILLIMETERS UNLESS NOTED OTHERWISE.

| DIMENSIONS ARE IN INCHES OR MILLIMETERS IN BRACKETS UNLESS OTHERWISE NOTED. |    |      |              |   |     |  |
|---|----|------|--------------|---|-----|--|
| DRN   | BY | DATE | WEIGHT       |  3621 INDUSTRIAL PARK DR<br>LENOIR CITY, TN 37771<br>800-346-3062<br>www.quazite.com | LOC |  |
|   |    |      | 141#<br>64kg |   |     |  |
| CHK   |    |      | SCALE        | <b>QUAZITE®<br/>BOX</b>   | S   |  |
| ENG   |    |      | 1"=1'        |   | REV |  |
| APR   |    |      | SIZE         |   |     |  |
| APR   |    |      | B            |   |     |  |
| PROJECT NUMBER  |    |      |              | DRAWING NUMBER  |     |  |
| 92069   |    |      |              | PG2436BB18  |     |  |
| SHEET 1 OF 1  |    |      |              |   |     |  |