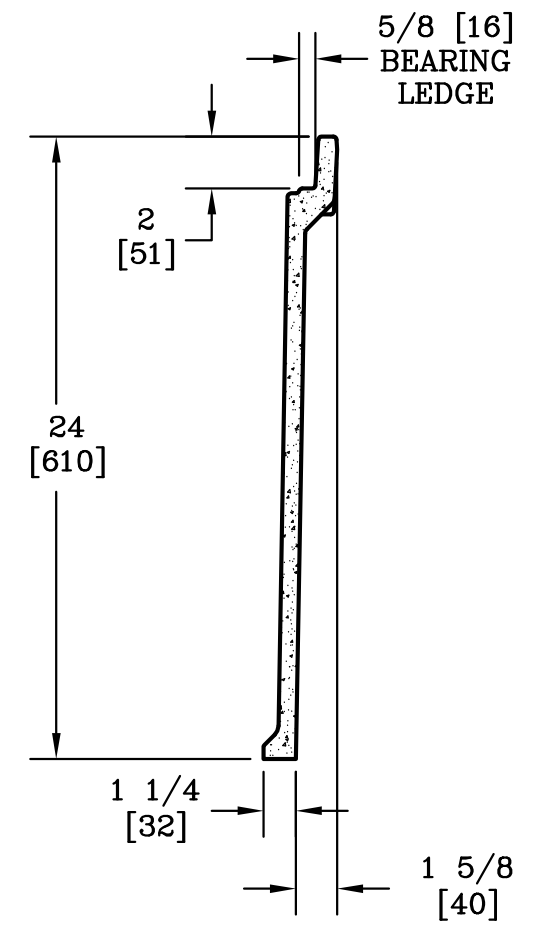
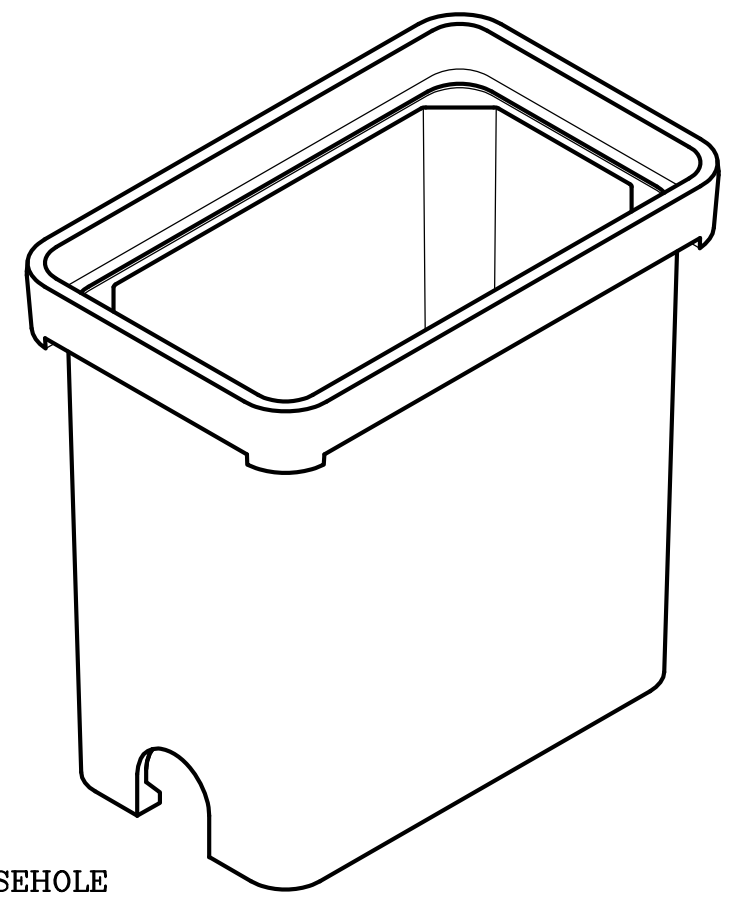
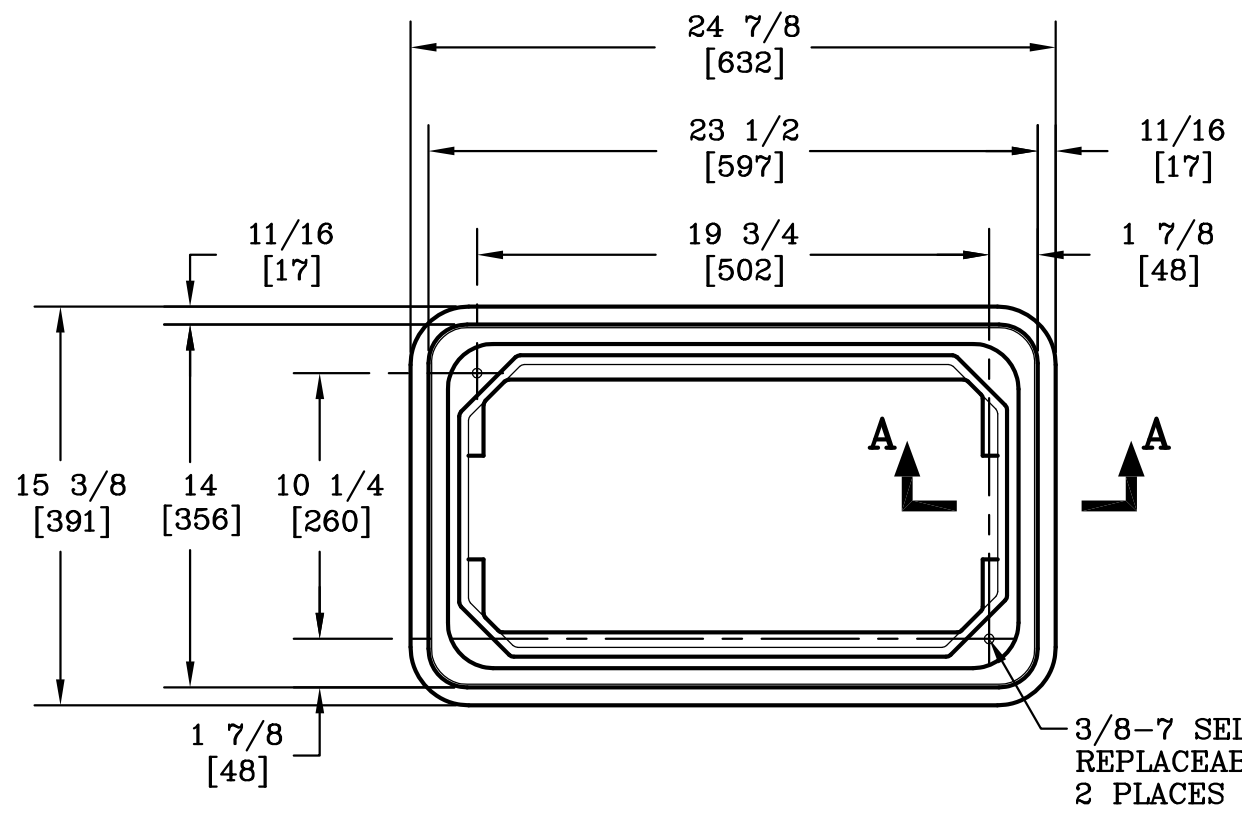
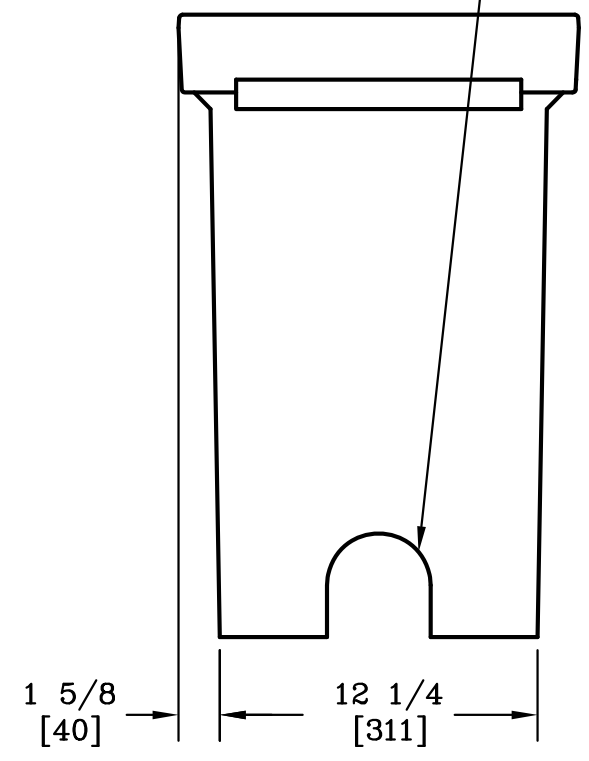
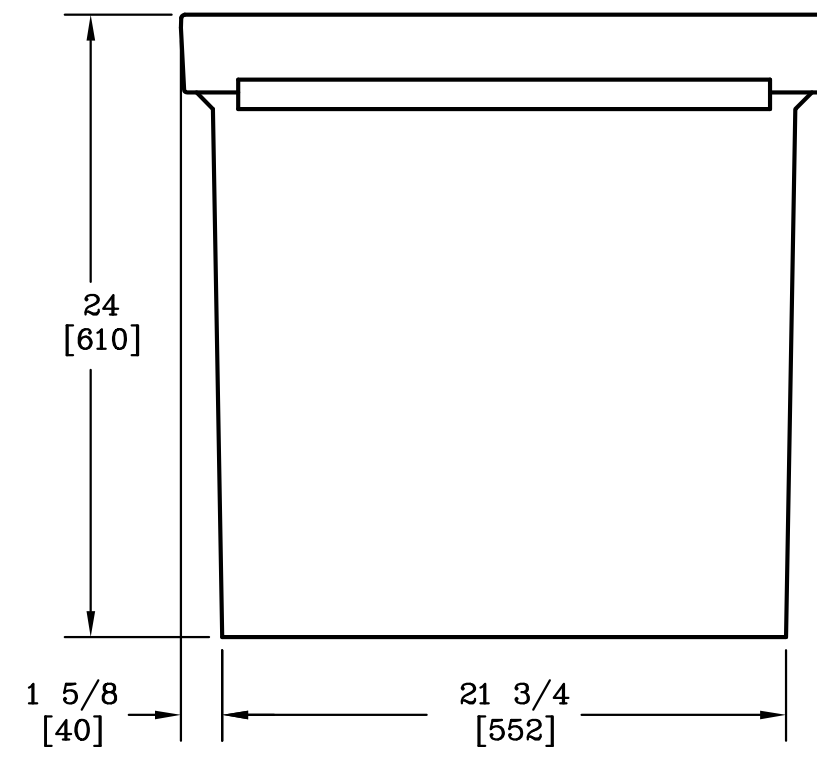


CUSTOMER APPROVAL  
 APPROVED BY: \_\_\_\_\_  
 DATE: \_\_\_\_\_




**SECTION A-A**

2X 4 [102] X 4 [102] MOUSEHOLE  
 1 CENTERED EACH END



**NOTE:**  
 1. THIS BOX IS RATED FOR  
 ANSI/SCTE 77 2010 TIER 22.

|   |    |      |                |   |      |
|---|----|------|----------------|---|------|
| DIMENSIONS ARE IN INCHES OR MILLIMETERS IN BRACKETS UNLESS OTHERWISE NOTED. |    |      |                |   |      |
| DRN   | BY | DATE | WEIGHT         |  3621 INDUSTRIAL PARK DR<br>LENOIR CITY, TN 37771<br>800-346-3062<br>www.quazite.com | LOC  |
|   |    |      | 105#<br>48kg   |   | LC   |
| CHK   |    |      | SCALE          | DRAWING DESCRIPTION<br>QUAZITE® 13 X 24 X 24 BOX<br>W/ 4X4 MOUSEHOLES   | REV  |
| ENG   |    |      | 1 1/2"=1       |   | A    |
| APR   |    |      | SIZE           |   |      |
| APR   |    |      | B              |   | 9/12 |
| PROJECT NUMBER  |    |      | DRAWING NUMBER |   |      |
| 106860  |    |      | PG1324BB24     |   |      |
| SHEET 1 OF 1  |    |      |                |   |      |