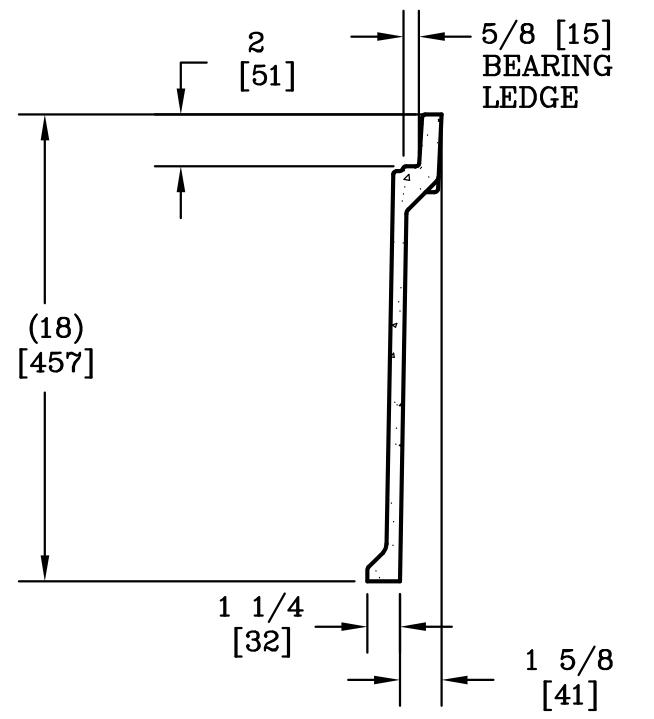
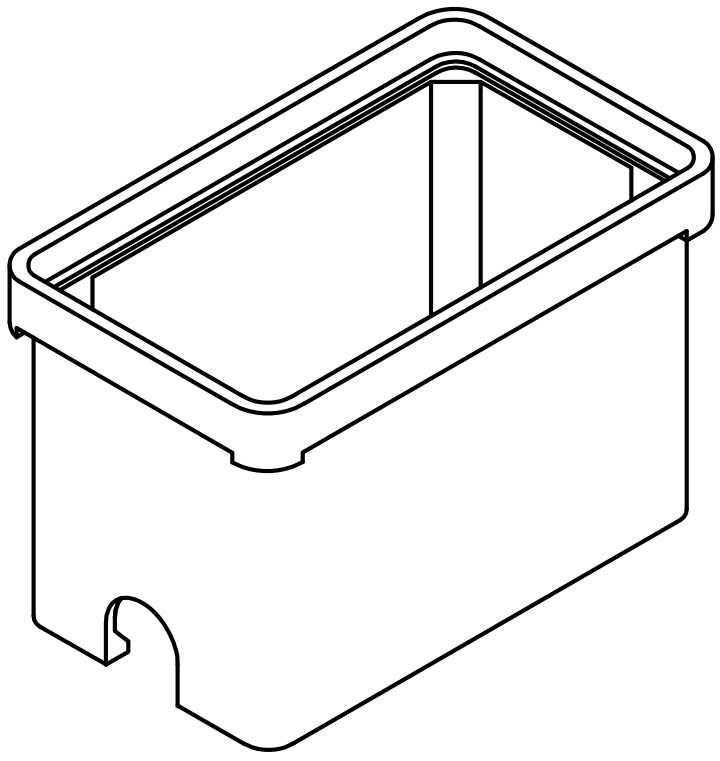
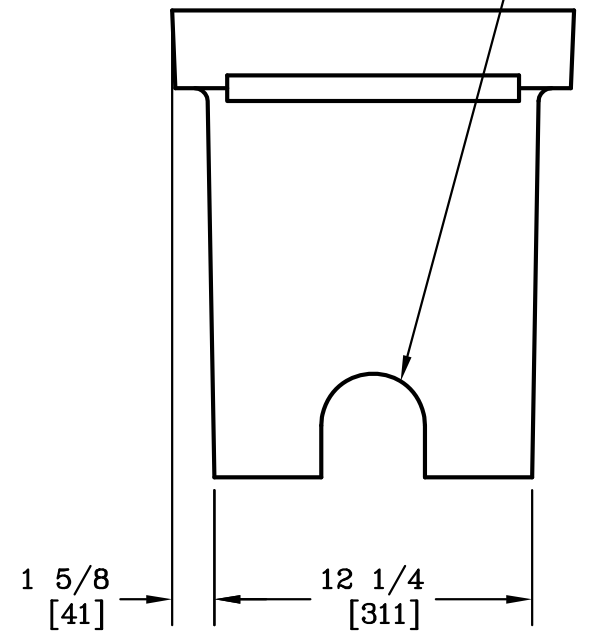
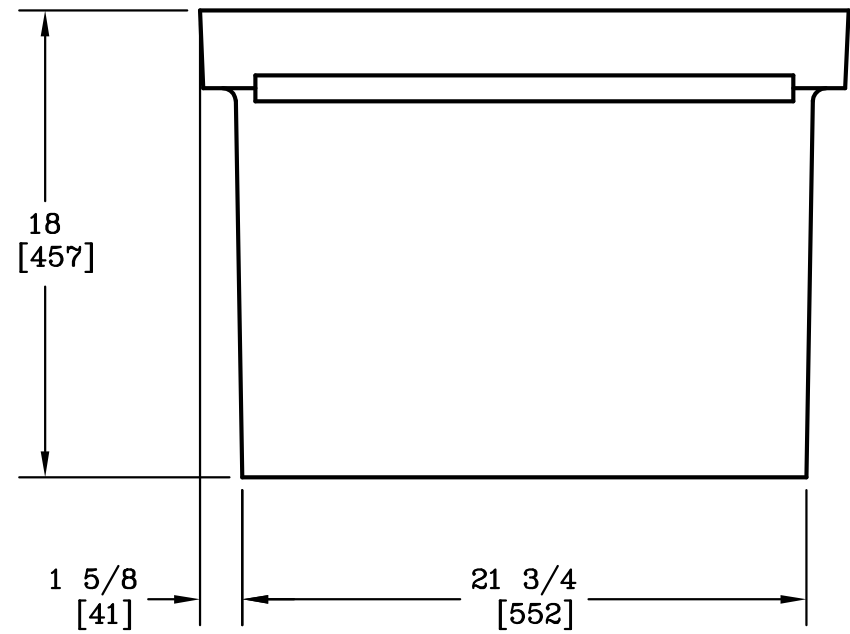


3/8-7 SELF ALIGNING,
REPLACEABLE S.S. EZ-NUT
2 PLACES

2X 4 [102] X 4 [102] MOUSEHOLE
1 CENTERED EACH END



SECTION A-A



NOTE:

1. DIMENSIONS IN BRACKETS ARE IN MILLIMETERS UNLESS NOTED OTHERWISE.



DIMENSIONS ARE IN INCHES OR MILLIMETERS IN BRACKETS UNLESS OTHERWISE NOTED.					
DRN	BY	DATE	WEIGHT		3621 INDUSTRIAL PARK DR LENOIR CITY, TN 37771 800-346-3062 www.quazite.com
CHK	WRJ	7/10/91	72# 33kg		
ENG	FPD	7/12/91	SCALE	DRAWING DESCRIPTION	
APR	M&F	7/11/91	1 1/2"=1'	QUAZITE® 13X24X18 BOX W/ 4X4 MOUSEHOLES	
APR	VJB	7/12/91	SIZE		
PROJECT NUMBER			DRAWING NUMBER		LOC
91211			PG1324BB18		S
SHEET 1 OF 1					REV
					D
					3/12