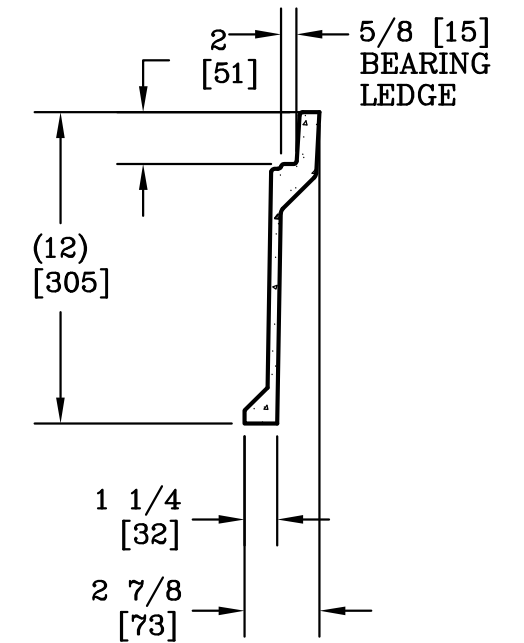
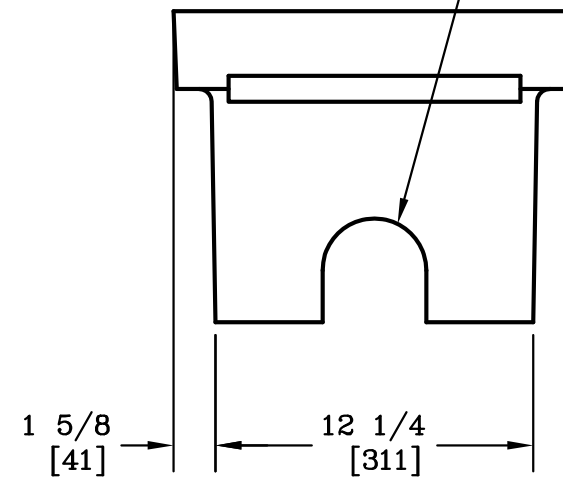
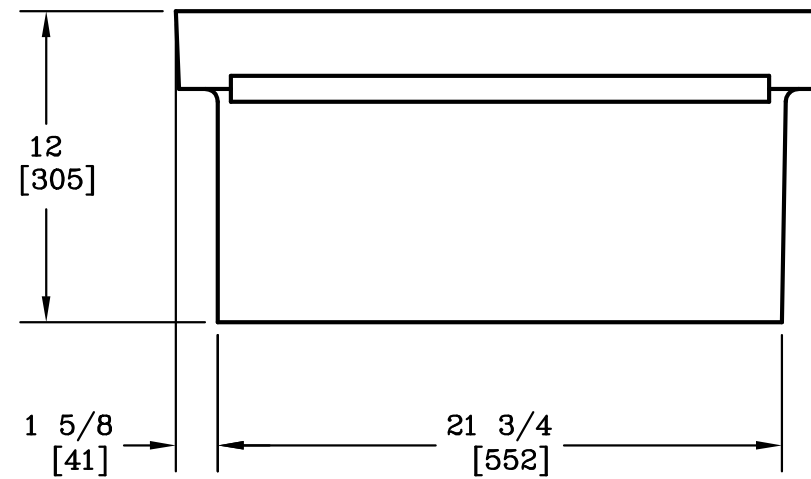


3/8-7 SELF ALIGNING,  
REPLACEABLE S.S. EZ-NUT  
2 PLACES

2X 4 [102] X 4 [102] MOUSEHOLE  
1 CENTERED EACH END




**SECTION A-A**



**NOTE:**

1. DIMENSIONS IN BRACKETS ARE IN MILLIMETERS UNLESS NOTED OTHERWISE.



DIMENSIONS ARE IN INCHES OR MILLIMETERS IN BRACKETS UNLESS OTHERWISE NOTED.					
DRN	BY	DATE	WEIGHT	 3621 INDUSTRIAL PARK DR LENOIR CITY, TN 37771 800-346-3062 www.quazite.com	LOC
CHK	WRJ	7/8/91	54# 24kg		S
ENG	FPD	7/12/91	SCALE	DRAWING DESCRIPTION <b>QUAZITE® 13X24X12 BOX          W/ 4X4 MOUSEHOLES</b>	REV
APR	M&F	7/8/91	1 1/2"=1'		D
APR	VJB	7/12/91	SIZE B		3/12
PROJECT NUMBER			DRAWING NUMBER		
91204			PG1324BB12		
SHEET 1 OF 1					