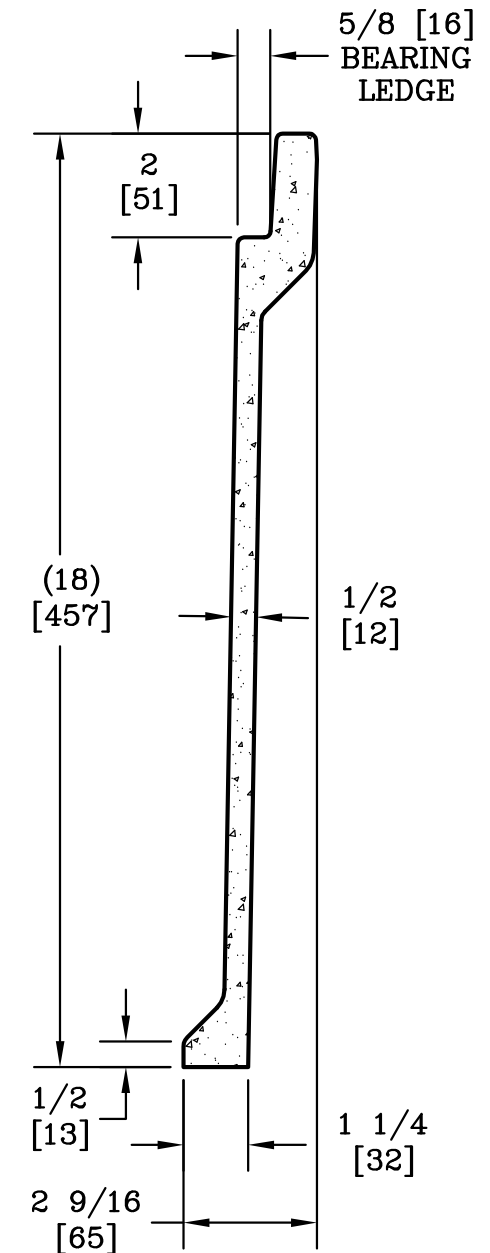
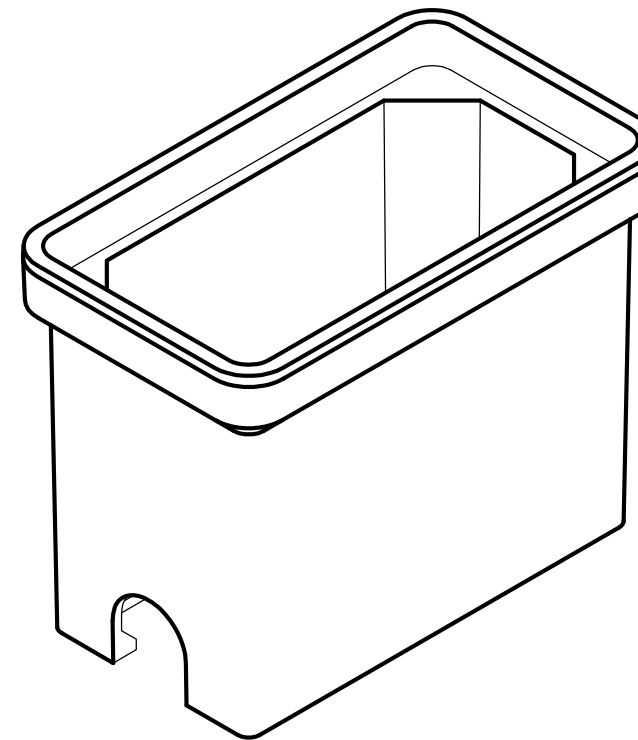
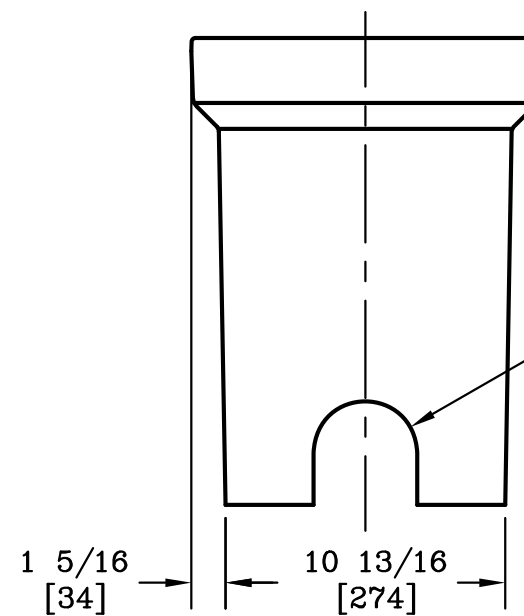
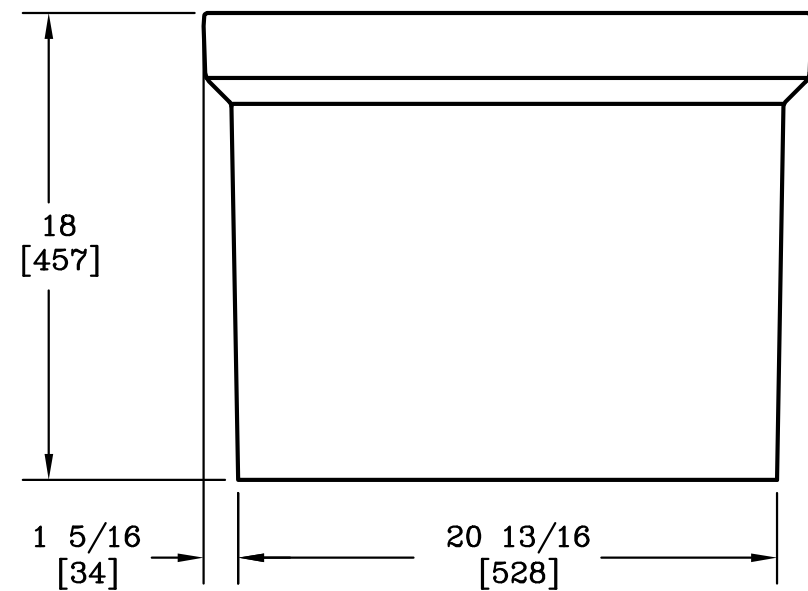


3/8-7 UNC SELF ALIGNING,
REPLACEABLE S.S. EZ-NUT
2 PLACES




SECTION A-A
SCALE: 3"=1'



4 [102] X 4 [102] MOUSEHOLE
(ONE CENTERED EACH END)

NOTE:

1. THIS BOX IS RATED FOR ANSI/SCTE 77 2007 TIER 22.

DIMENSIONS ARE IN INCHES OR MILLIMETERS IN BRACKETS UNLESS OTHERWISE NOTED.					
DRN	BY	DATE	WEIGHT	 3621 INDUSTRIAL PARK DR LENOIR CITY, TN 37771 800-346-3062 www.quazite.com	LOC
CHK			69# 31kg		LC
ENG			SCALE	DRAWING DESCRIPTION QUAZITE® 11 X 20 X 18 BOX W/ (2) 4 X 4 MOUSEHOLES STANDARD VERSION	REV
APR			1 1/2"=1		B
APR			SIZE		01/13
PROJECT NUMBER			B		DRAWING NUMBER
103924					PG1120BB18
SHEET 1 OF 1					