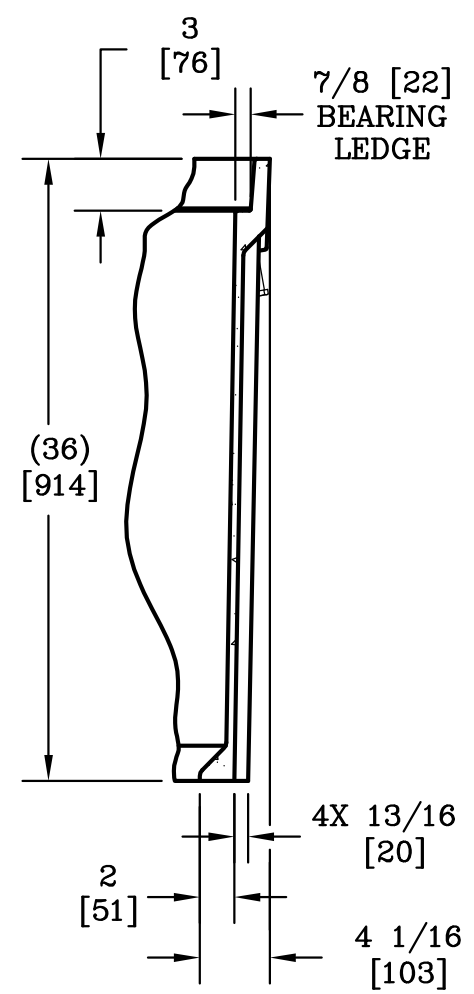
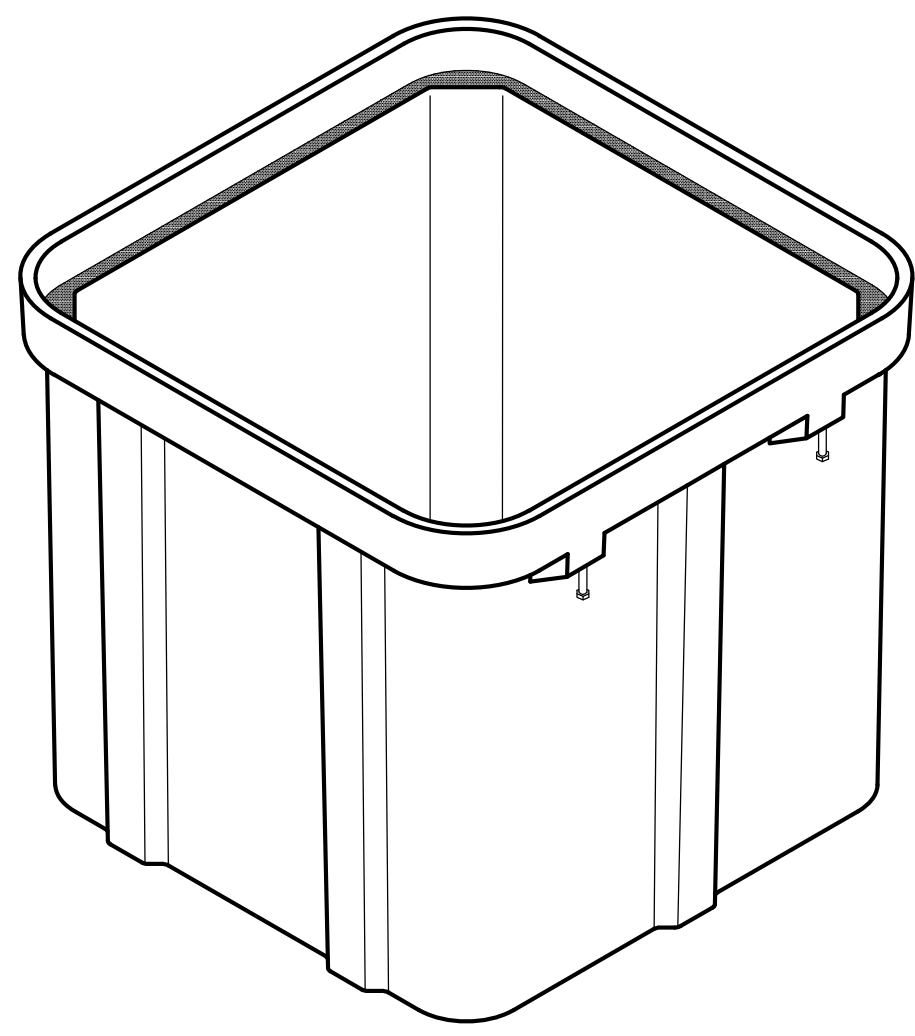
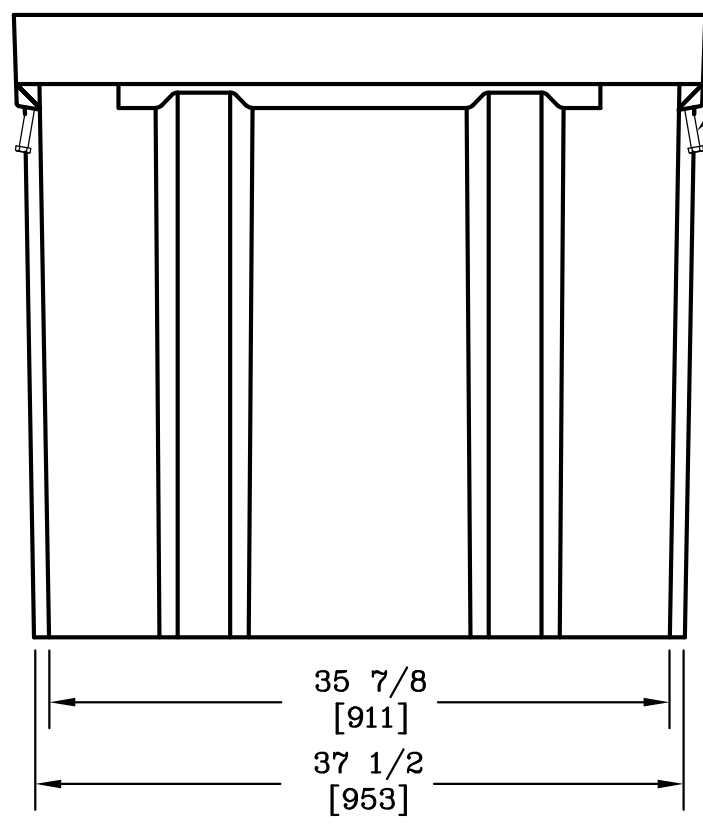
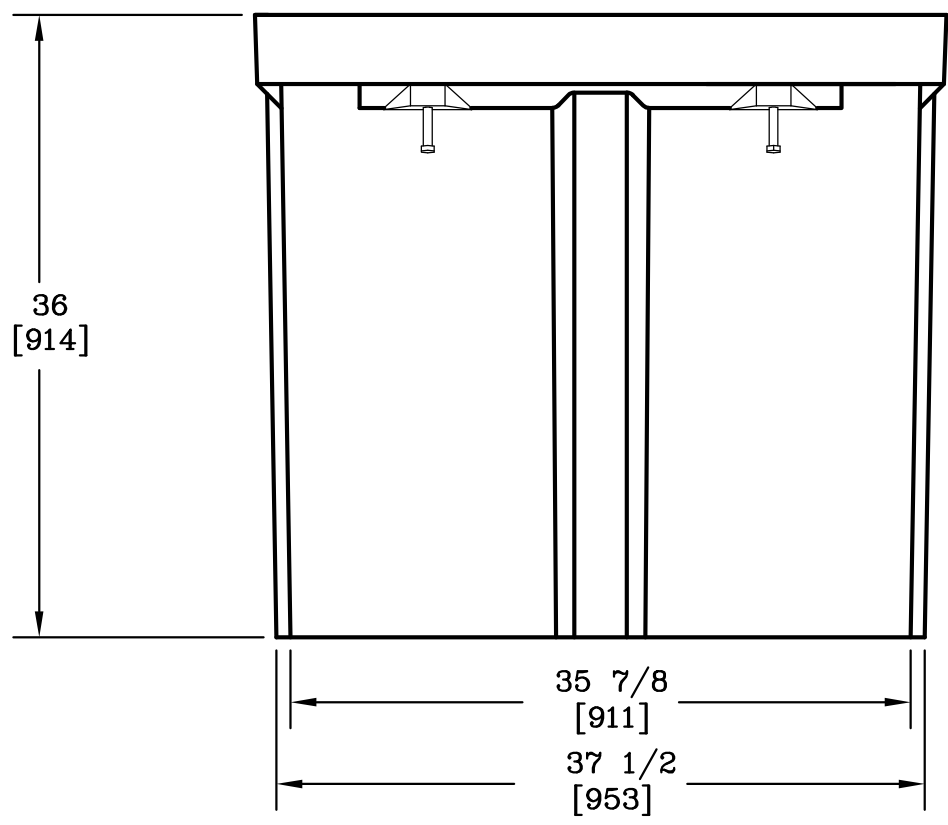


1/8 [3] NEOPRENE GASKET

3/8-7 SELF ALIGNING,  
REPLACEABLE S.S. EZ-NUT  
2 PLACES



**SECTION A-A**



1/2-13 UNC  
LIFTING BOLT  
4 PLACES



**NOTE:**

1. THIS BOX IS RATED FOR ANSI/SCTE 77 2010 TIER 22.

|                                                                             |     |          |                |                                                                                     |                                       |       |
|-----------------------------------------------------------------------------|-----|----------|----------------|-------------------------------------------------------------------------------------|---------------------------------------|-------|
| DIMENSIONS ARE IN INCHES OR MILLIMETERS IN BRACKETS UNLESS OTHERWISE NOTED. |     |          |                | 3621 INDUSTRIAL PARK DR<br>LENOIR CITY, TN 37771<br>800-346-3062<br>www.quazite.com |                                       | LOC   |
| DRN                                                                         | BY  | DATE     | WEIGHT         | DRAWING DESCRIPTION                                                                 | QUAZITE® 36 X 36 X 36 BOX<br>W/GASKET | LC    |
| CHK                                                                         | APL | 01/15/13 | 357#<br>162kg  |                                                                                     |                                       | REV   |
| ENG                                                                         | BFL | 01/15/13 | SCALE          |                                                                                     |                                       | A     |
| APR                                                                         |     |          | 1"=1'          |                                                                                     |                                       | 01/13 |
| APR                                                                         |     |          | SIZE           |                                                                                     |                                       |       |
| PROJECT NUMBER                                                              |     |          | DRAWING NUMBER |                                                                                     |                                       |       |
| 107513                                                                      |     |          | PG3636BG36     |                                                                                     |                                       |       |
| SHEET 1 OF 1                                                                |     |          |                |                                                                                     |                                       |       |