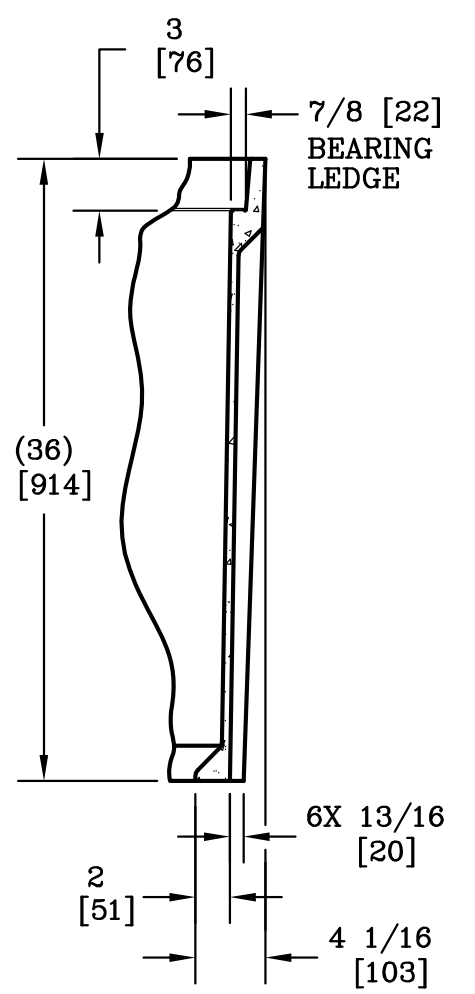
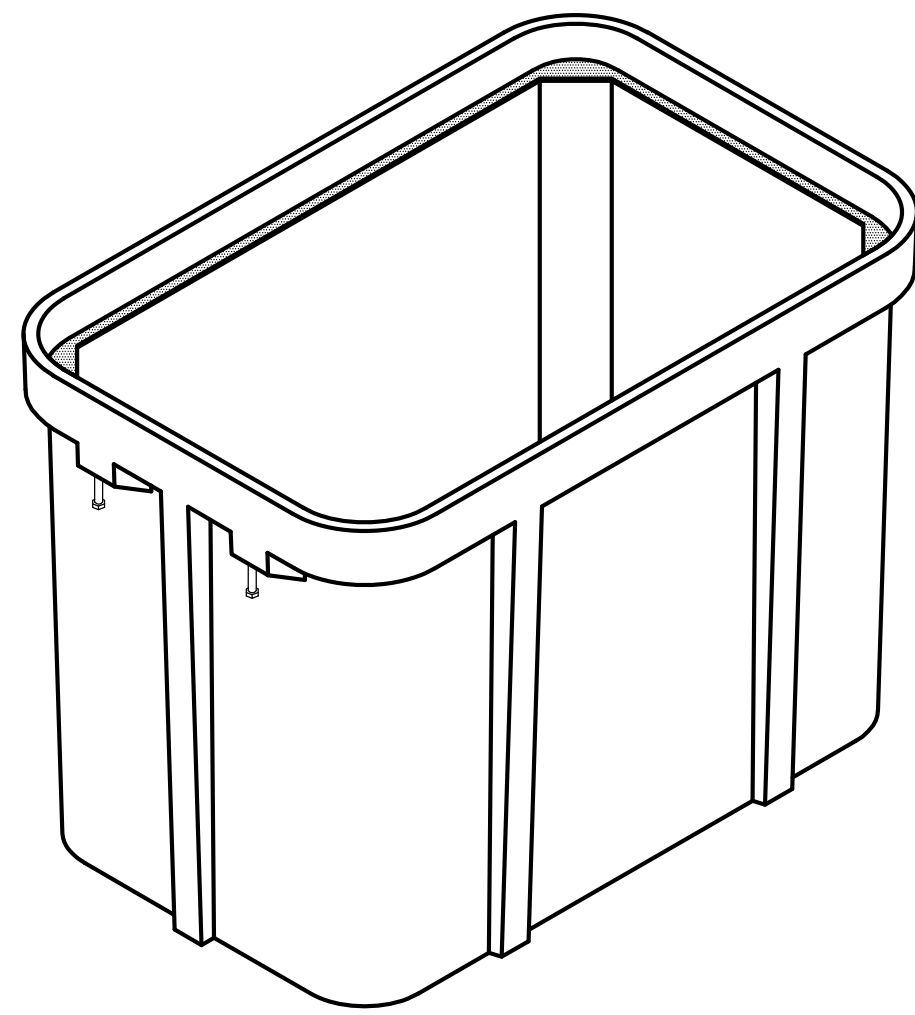
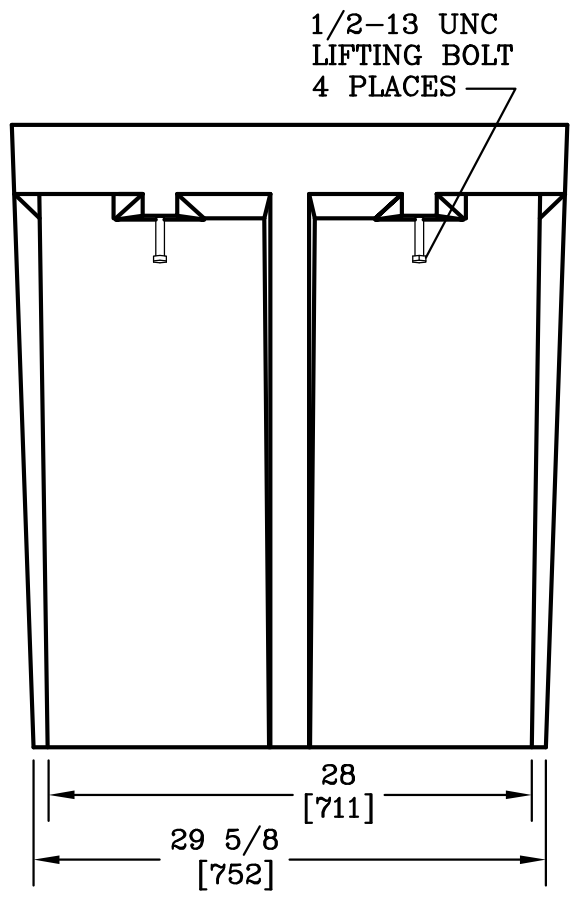
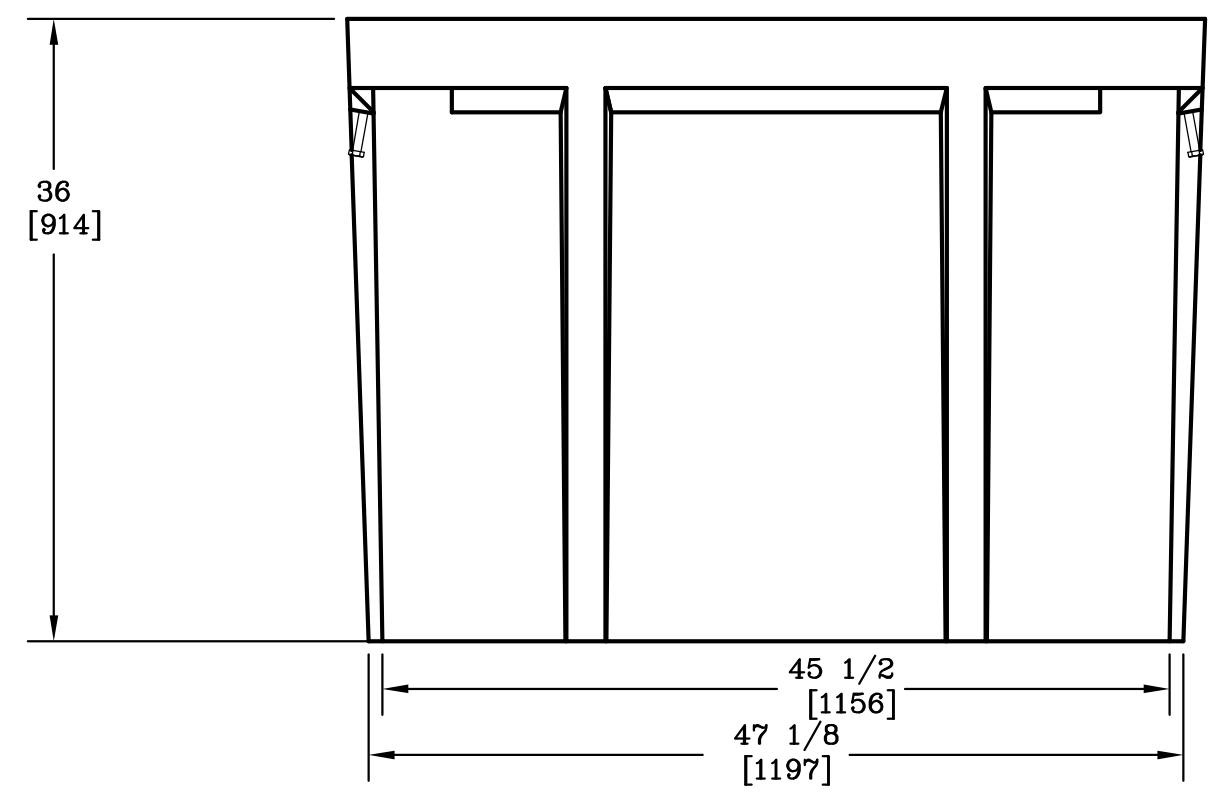


1/8 [3] NEOPRENE GASKET

3/8-7 SELF ALIGNING,  
REPLACEABLE S.S. EZ-NUT  
2 PLACES



**SECTION A-A**



1/2-13 UNC  
LIFTING BOLT  
4 PLACES



**NOTES:**

1. DIMENSIONS IN BRACKETS ARE IN MILLIMETERS UNLESS NOTED OTHERWISE.

DIMENSIONS ARE IN INCHES OR MILLIMETERS IN BRACKETS UNLESS OTHERWISE NOTED.					3621 INDUSTRIAL PARK DR LENOIR CITY, TN 37771 800-346-3062 www.quazite.com	LOC
DRN	BY	DATE	WEIGHT			DRAWING DESCRIPTION
CHK	ENG	SCALE	364# 185kg	<b>QUAZITE® BOX</b>	REV	
APR	APR	SIZE	1"=1'		B	
APR			B		3/12	
PROJECT NUMBER					DRAWING NUMBER	
03661				PG3048BG36		
SHEET 1 OF 1						