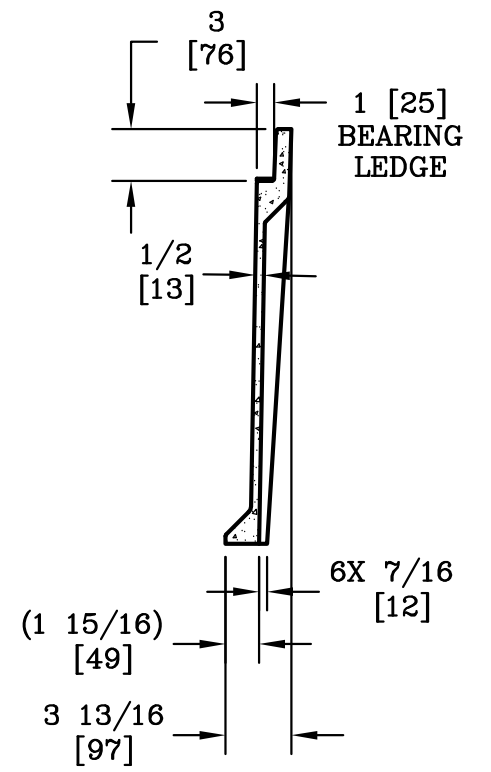
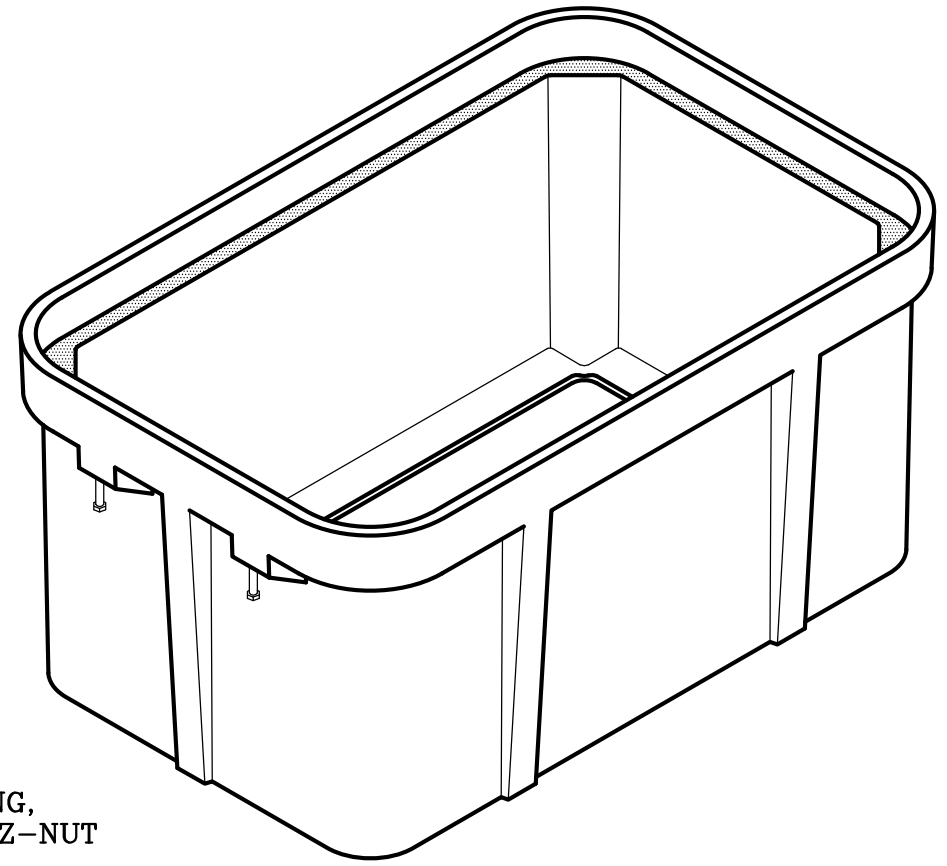
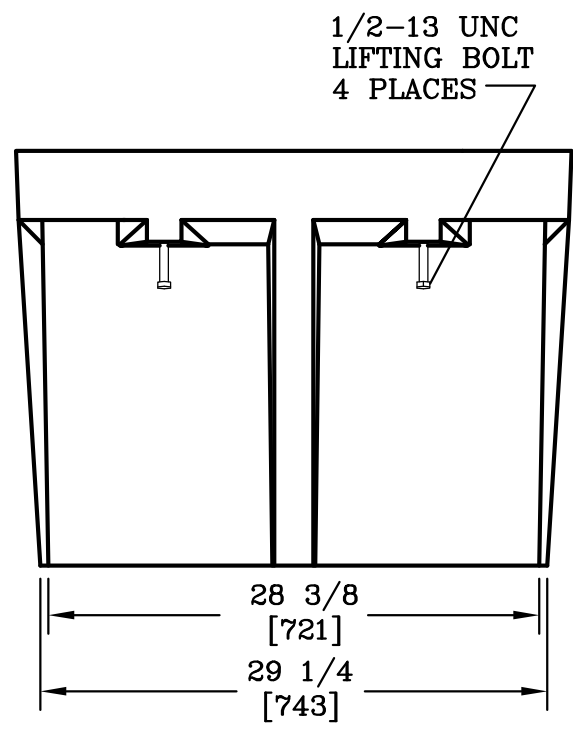
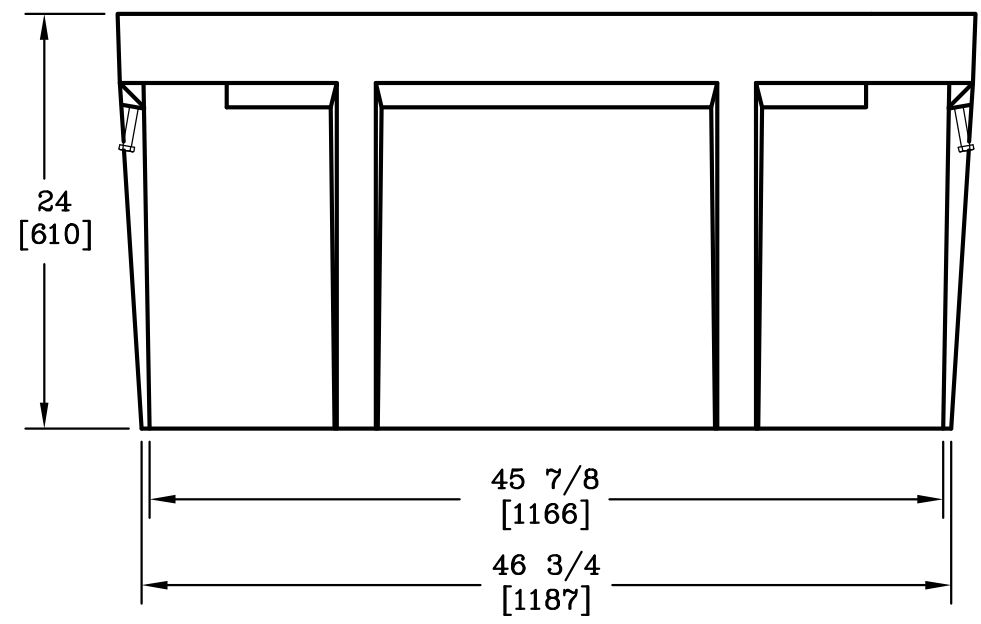


3/8-7 SELF ALIGNING,  
REPLACEABLE S.S. EZ-NUT  
2 PLACES

1/8 [3] NEOPRENE  
GASKET



**SECTION A-A**



**NOTE:**

1. DIMENSIONS IN BRACKETS ARE IN MILLIMETERS UNLESS NOTED OTHERWISE.



DIMENSIONS ARE IN INCHES OR MILLIMETERS IN BRACKETS UNLESS OTHERWISE NOTED.					3621 INDUSTRIAL PARK DR LENOIR CITY, TN 37771 800-346-3062 www.quazite.com	LOC
DRN	BY	DATE	WEIGHT			S
CHK	ENG	SCALE	1"=1'	DRAWING DESCRIPTION		REV
APR	APR	APR	SIZE	<b>QUAZITE<sup>®</sup></b> <b>BOX</b>		<b>B</b> 3/12
PROJECT NUMBER	SHEET 1 OF 1		DRAWING NUMBER			
04662			PG3048BG24			