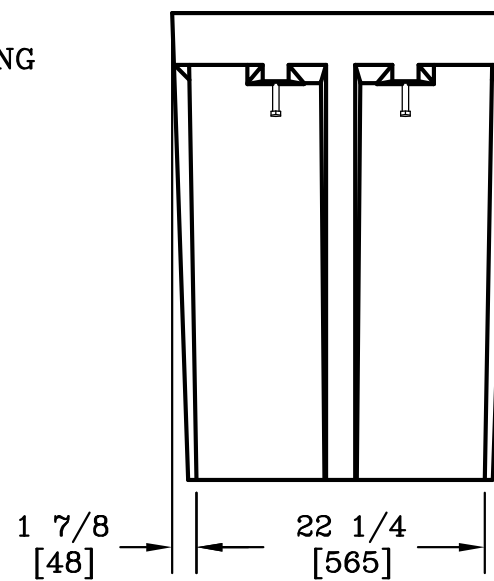
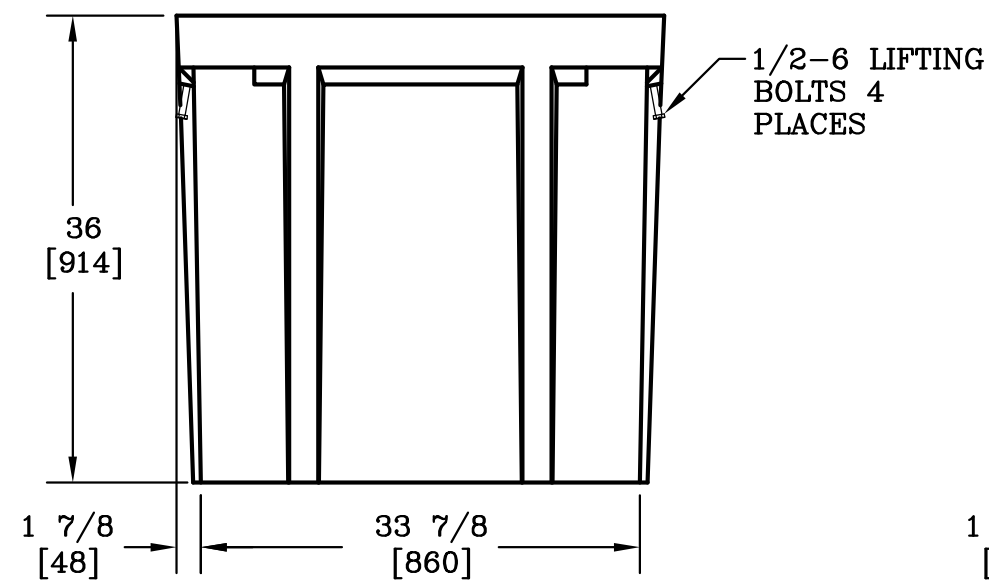



SECTION A-A
SCALE: 1 1/2"=1'



DIMENSIONS ARE IN INCHES OR MILLIMETERS IN BRACKETS UNLESS OTHERWISE NOTED.					
DRN	BY	DATE	WEIGHT	 3621 INDUSTRIAL PARK DR LENOIR CITY, TN 37771 800-346-3062 www.quazite.com	LOC
			274# 124kg		LC
CHK	APR	12/4/09	SCALE	DRAWING DESCRIPTION QUAZITE® BOX W/ GASKET STANDARD VERSION	REV
ENG			3/4"=1'		B
APR	M&F	12/4/09	SIZE		
APR			B		3/12
PROJECT NUMBER			DRAWING NUMBER		
091444			PG2436BG36		
SHEET 1 OF 1					