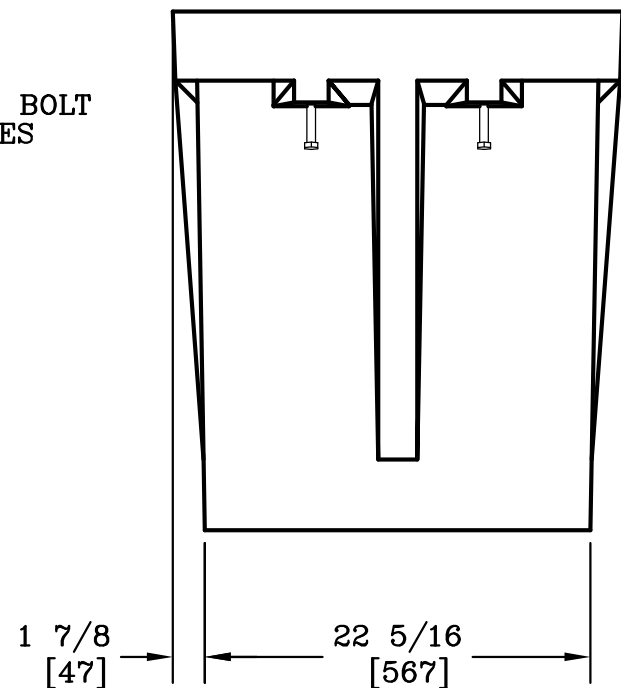
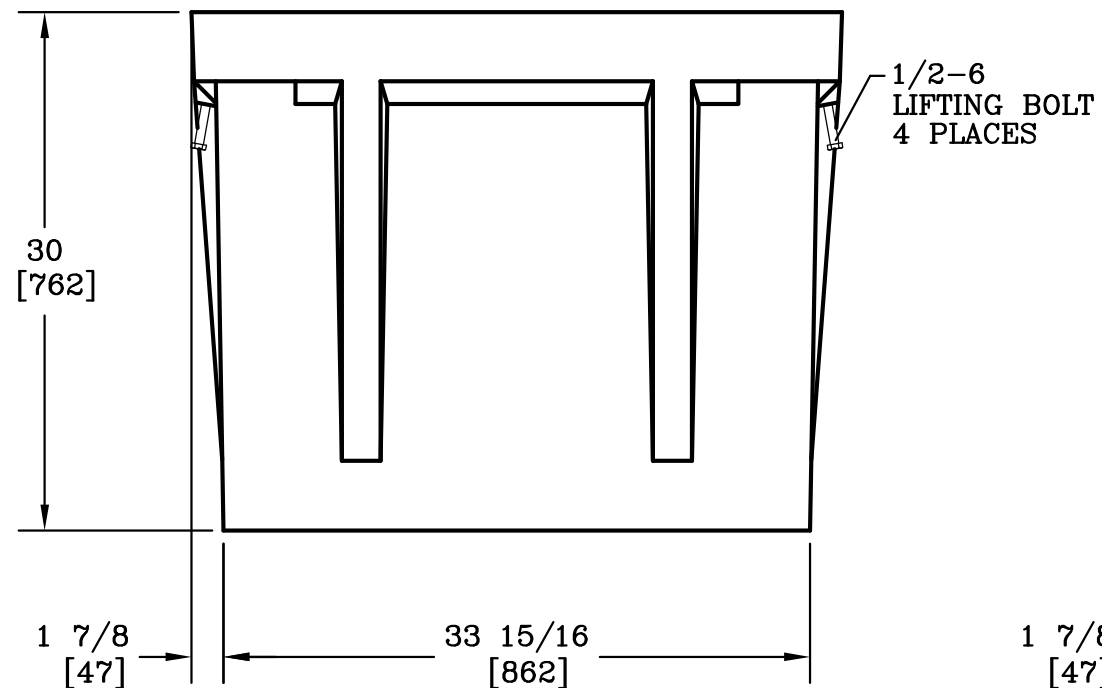


**SECTION A-A**  
SCALE: 1"=6"



**NOTE:**

1. DIMENSIONS IN BRACKETS ARE IN MILLIMETERS UNLESS NOTED OTHERWISE.

DIMENSIONS ARE IN INCHES OR MILLIMETERS IN BRACKETS UNLESS OTHERWISE NOTED.				3621 INDUSTRIAL PARK DR LENOIR CITY, TN 37771 800-346-3062 www.quazite.com	LOC	
DRN	BY	DATE	WEIGHT		DRAWING DESCRIPTION	S
CHK	ENG	SCALE	206# 93kg	<b>QUAZITE® BOX</b>		REV
APR	APR	SIZE	1"=1'			B
APR	APR	SIZE	B			3/12
PROJECT NUMBER			DRAWING NUMBER			
04652			PG2436BG30			
SHEET 1 OF 1						

