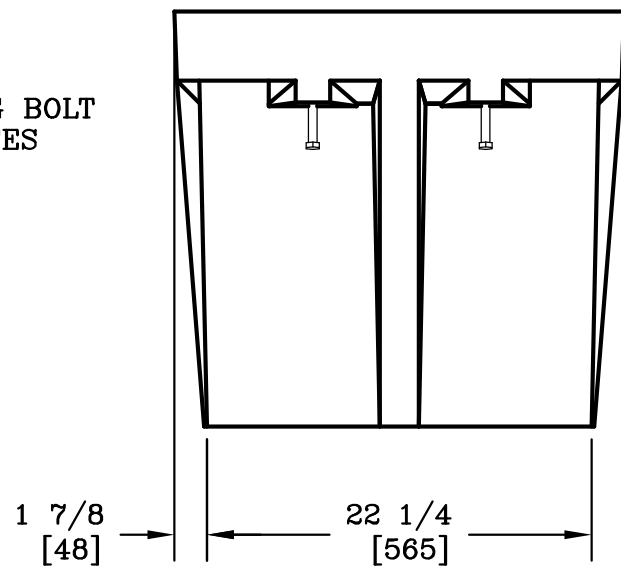
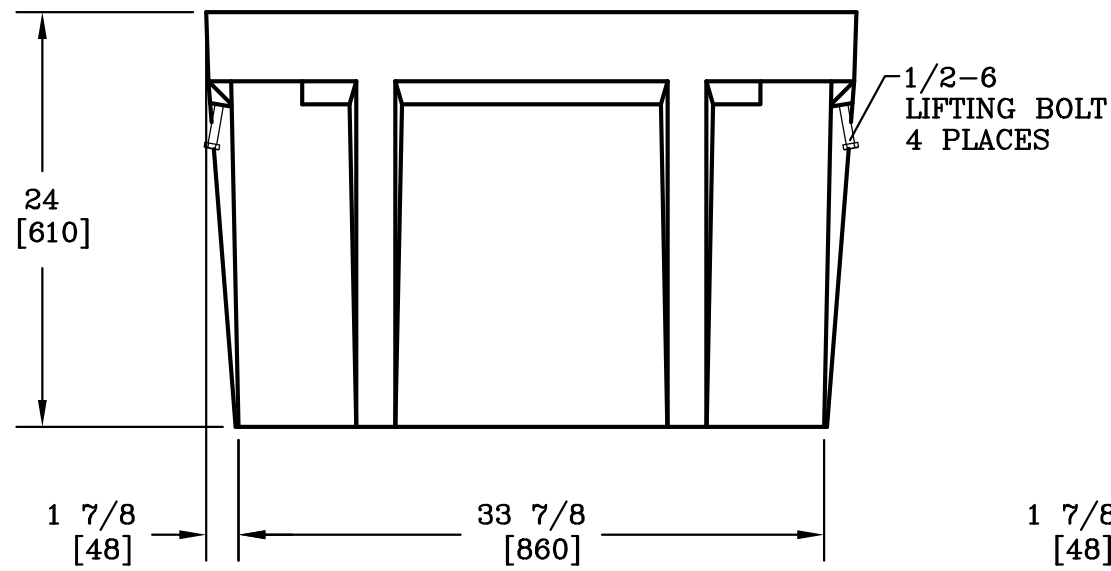


**SECTION A-A**  
SCALE: 6"=1'



**NOTE:**

1. DIMENSIONS IN BRACKETS ARE IN MILLIMETERS UNLESS NOTED OTHERWISE.



DIMENSIONS ARE IN INCHES OR MILLIMETERS IN BRACKETS UNLESS OTHERWISE NOTED.				3621 INDUSTRIAL PARK DR LENOIR CITY, TN 37771 800-346-3062 www.quazite.com	LOC	
DRN	BY	DATE	WEIGHT		DRAWING DESCRIPTION	S
CHK	RI	5/21/04	181# 82kg	REV		
ENG			SCALE	<b>QUAZITE® BOX</b>		B
APR	M&F	5/24/04	1"=1'			3/12
APR			SIZE			
PROJECT NUMBER					DRAWING NUMBER	
04475					PG2436BG24	
SHEET 1 OF 1						