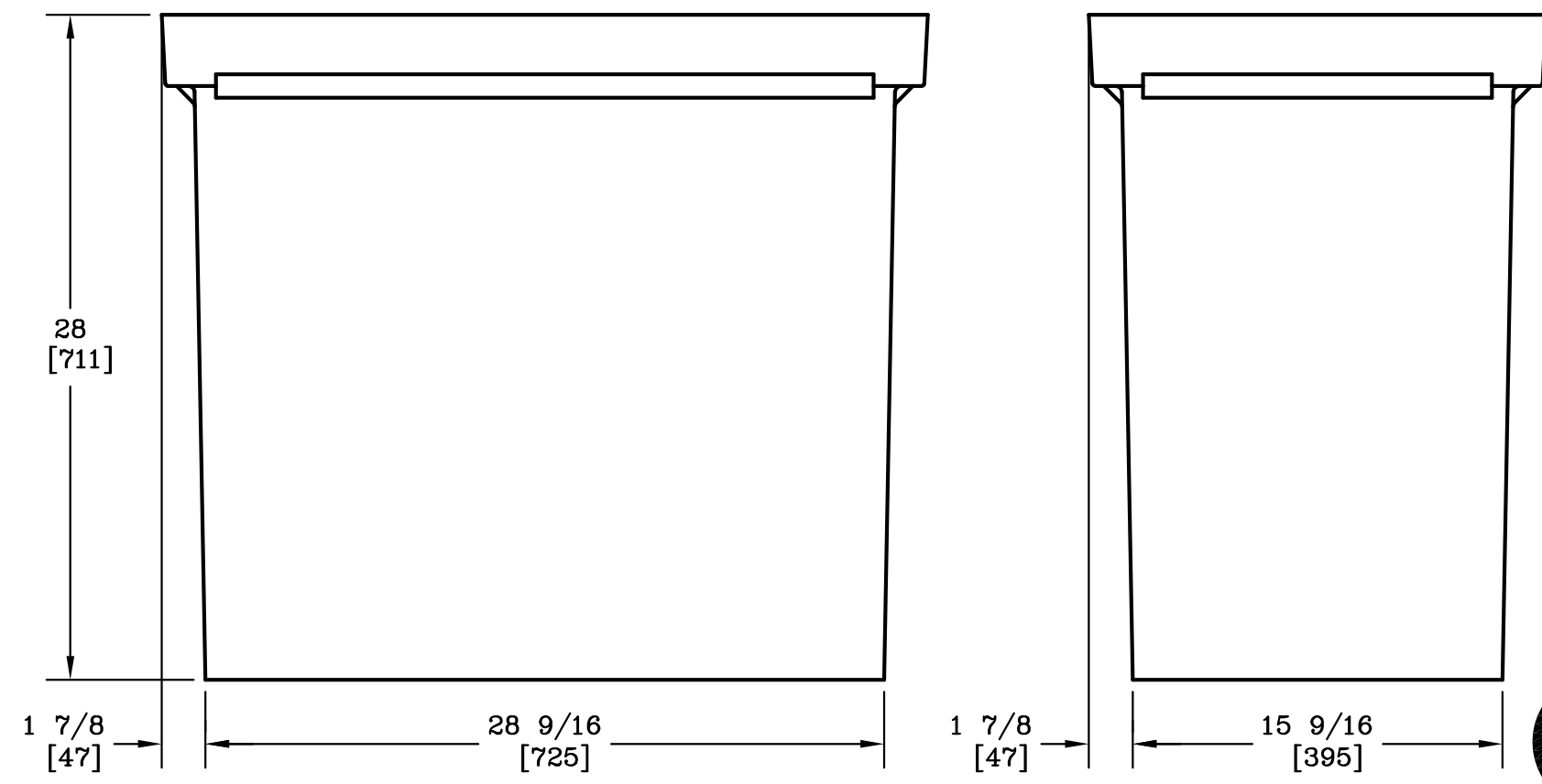


SECTION A-A

NOTE:

1. DIMENSIONS IN BRACKETS ARE IN MILLIMETERS UNLESS NOTED OTHERWISE.



| | | | | | |
|---|-----|------|--------|---|---------------------|
| DIMENSIONS ARE IN INCHES OR MILLIMETERS IN BRACKETS UNLESS OTHERWISE NOTED. | | | | 3621 INDUSTRIAL PARK DR LENOIR CITY, TN 37771 800-346-3062 www.quazite.com | LOC |
| DRN | BY | DATE | WEIGHT | | DRAWING DESCRIPTION |
| CHK | ENG | APR | APR | QUAZITE[®] BOX | |
| | | | | | |
| PROJECT NUMBER | | | | DRAWING NUMBER | |
| 04634 | | | | PG1730BG28 | |
| SHEET 1 OF 1 | | | | | |