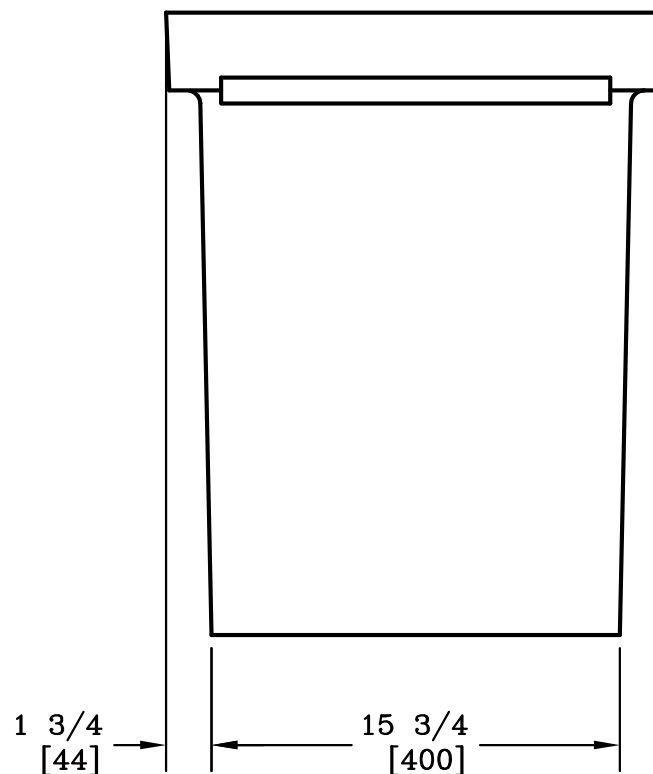
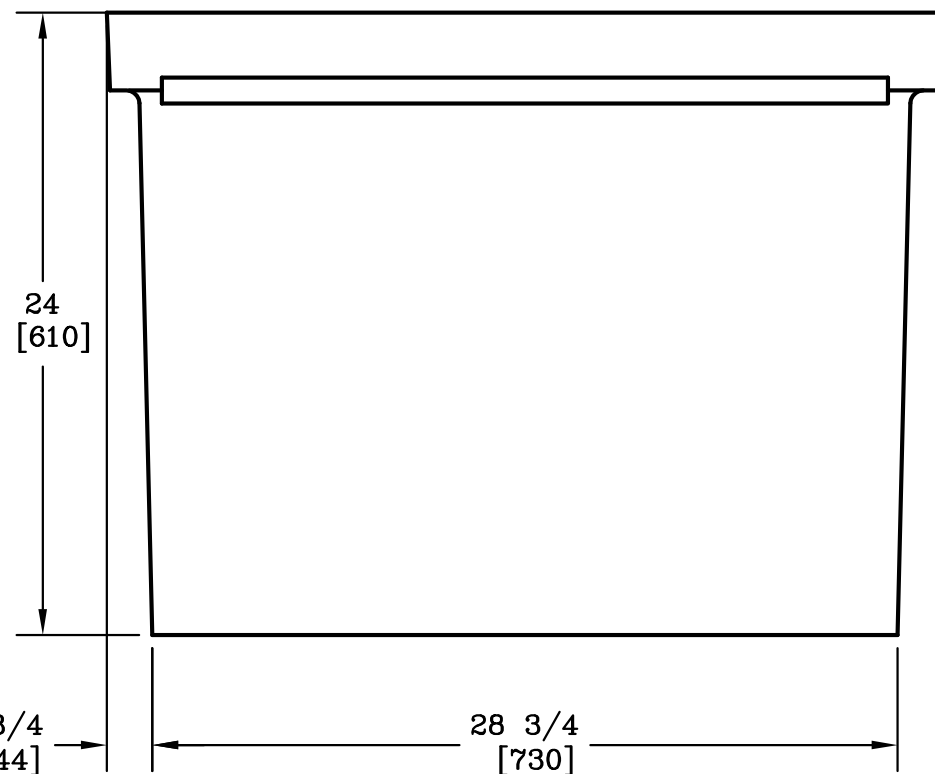


SECTION A-A



NOTE:

1. DIMENSIONS IN BRACKETS ARE IN MILLIMETERS UNLESS NOTED OTHERWISE.



DIMENSIONS ARE IN INCHES OR MILLIMETERS IN BRACKETS UNLESS OTHERWISE NOTED.				3621 INDUSTRIAL PARK DR LENOIR CITY, TN 37771 800-346-3062 www.quazite.com	LOC	
DRN	BY	DATE	WEIGHT		DRAWING DESCRIPTION	S
CHK	ENG	SCALE	109# 49kg	QUAZITE[®] BOX		REV
APR	APR	SIZE	1 1/2"=1'			B
APR			B			3/12
PROJECT NUMBER						DRAWING NUMBER
04633				PG1730BG24		
SHEET 1 OF 1						