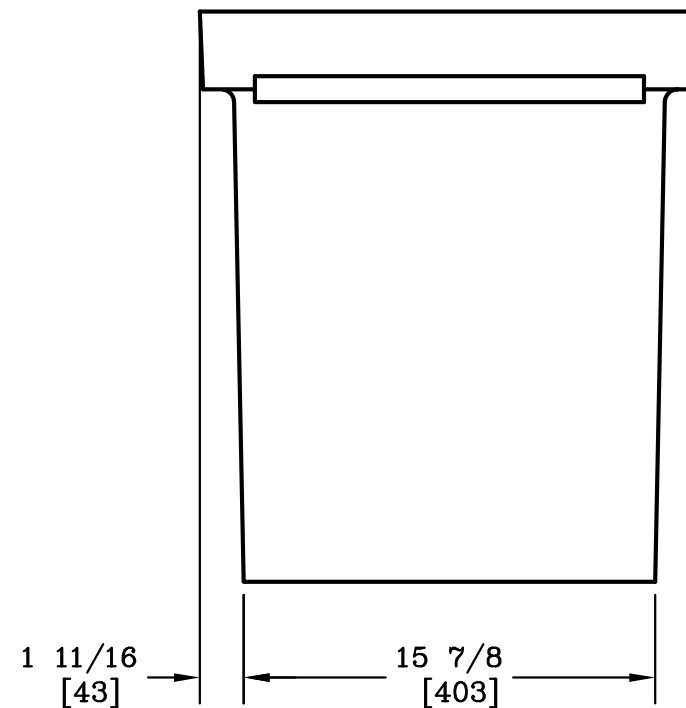
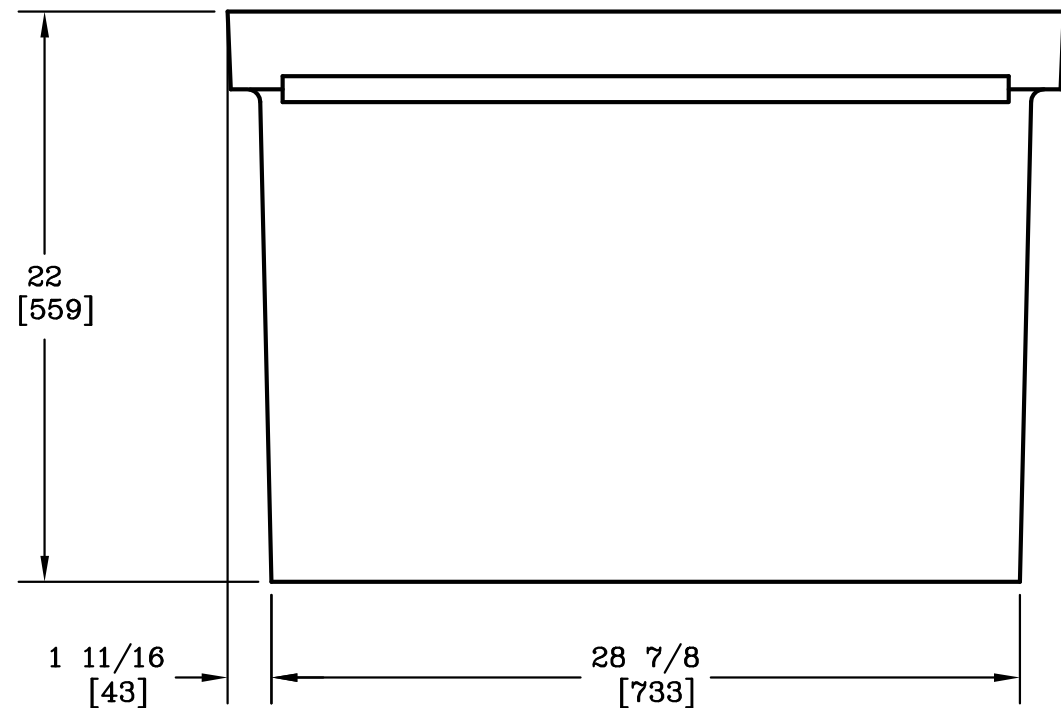


SECTION A-A



3/8-7 SELF ALIGNING,
REPLACEABLE S.S. EZ-NUT
2 PLACES

1/8 [3] NEOPRENE
GASKET

NOTE:

1. DIMENSIONS IN BRACKETS ARE IN MILLIMETERS UNLESS NOTED OTHERWISE.



DIMENSIONS ARE IN INCHES OR MILLIMETERS IN BRACKETS UNLESS OTHERWISE NOTED.				3621 INDUSTRIAL PARK DR LENOIR CITY, TN 37771 800-346-3062 www.quazite.com		LOC
DRN	BY	DATE	WEIGHT	DRAWING DESCRIPTION	QUAZITE® BOX	S
CHK	KPC	7/1/04	102# 46kg			REV
ENG			SCALE			B
APR	M&F	7/13/04	1 1/2"=1'			3/12
APR			SIZE			
PROJECT NUMBER				DRAWING NUMBER		
04632				PG1730BG22		
SHEET 1 OF 1						