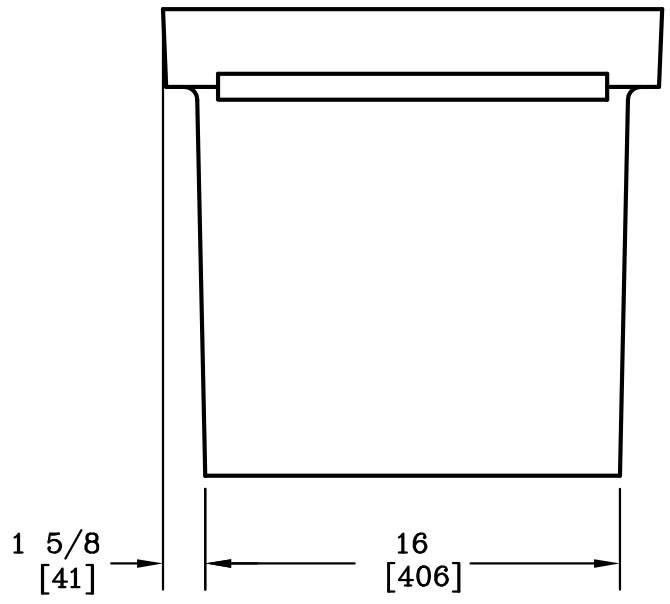
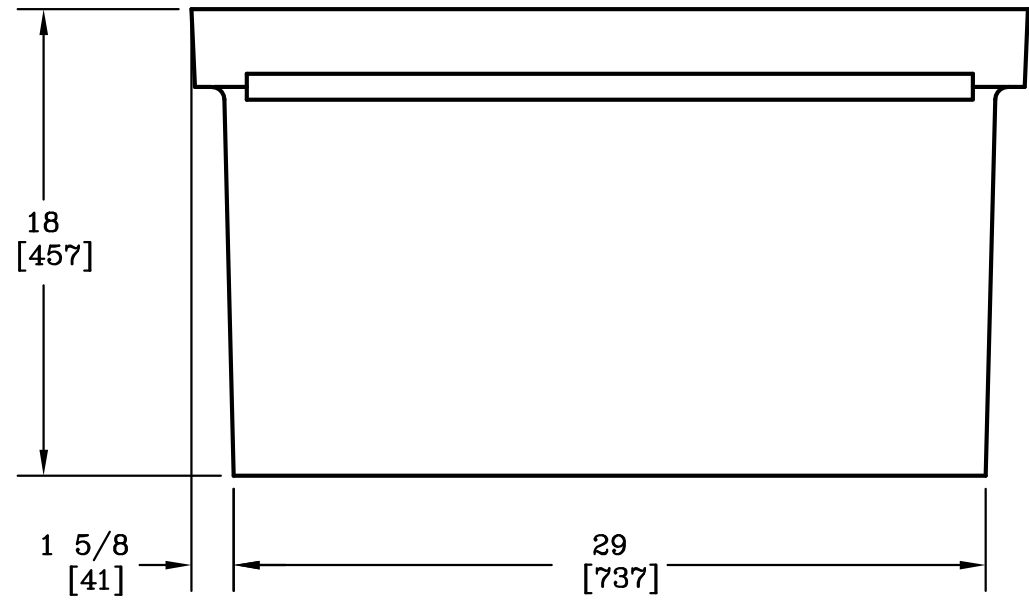



SECTION A-A



NOTE:

1. DIMENSIONS IN BRACKETS ARE IN MILLIMETERS UNLESS NOTED OTHERWISE.



DIMENSIONS ARE IN INCHES OR MILLIMETERS IN BRACKETS UNLESS OTHERWISE NOTED.					
DRN	BY	DATE	WEIGHT	 3621 INDUSTRIAL PARK DR LENOIR CITY, TN 37771 800-346-3062 www.quazite.com	LOC
CHK	ENG	SCALE	87# 39kg		S
APR	APR	SIZE	1 1/2"=1'	DRAWING DESCRIPTION	REV
APR	APR	B			QUAZITE® BOX
PROJECT NUMBER				DRAWING NUMBER	
04631				PG1730BG18	
SHEET 1 OF 1					