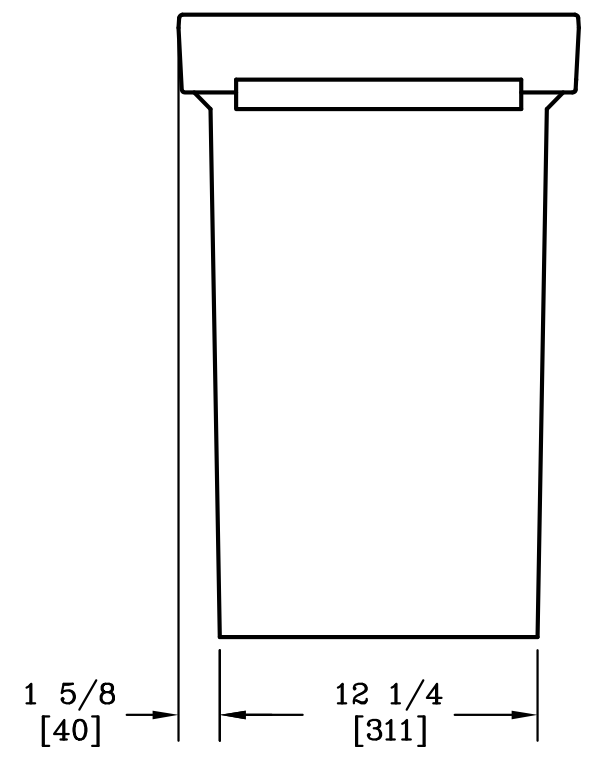
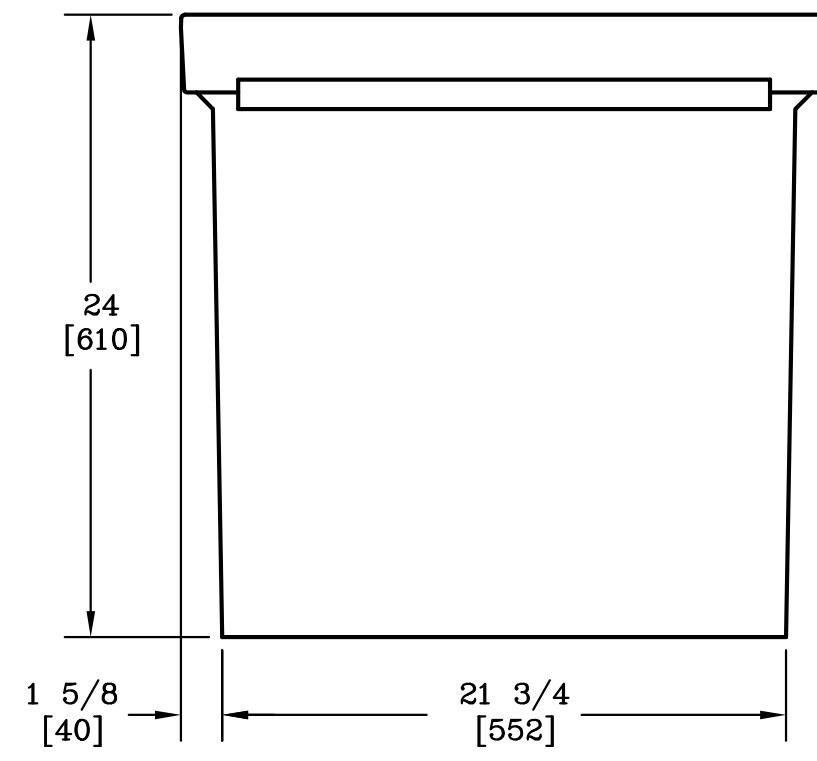



SECTION A-A

NOTE:
 1. THIS BOX IS RATED FOR ANSI/SCTE 77 2010 TIER 22.



DIMENSIONS ARE IN INCHES OR MILLIMETERS IN BRACKETS UNLESS OTHERWISE NOTED.						
DRN	BY	DATE	WEIGHT	 3621 INDUSTRIAL PARK DR LENOIR CITY, TN 37771 800-346-3062 www.quazite.com	LOC	
			105# 48kg		LC	
CHK			SCALE	DRAWING DESCRIPTION QUAZITE® 13 X 24 X 24 BOX W/ GASKET STANDARD VERSION	REV	
ENG			1 1/2"=1		A	
APR			SIZE			
APR			B			10/13
PROJECT NUMBER					DRAWING NUMBER	
108880					PG1324BG24	
				SHEET 1 OF 1		