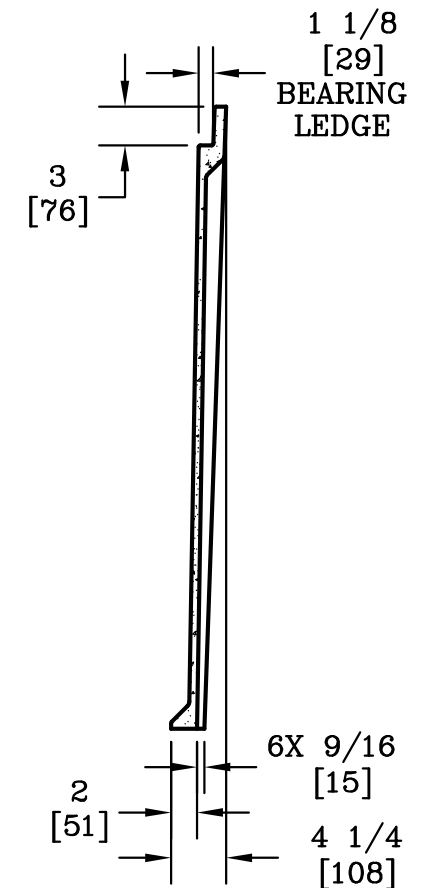
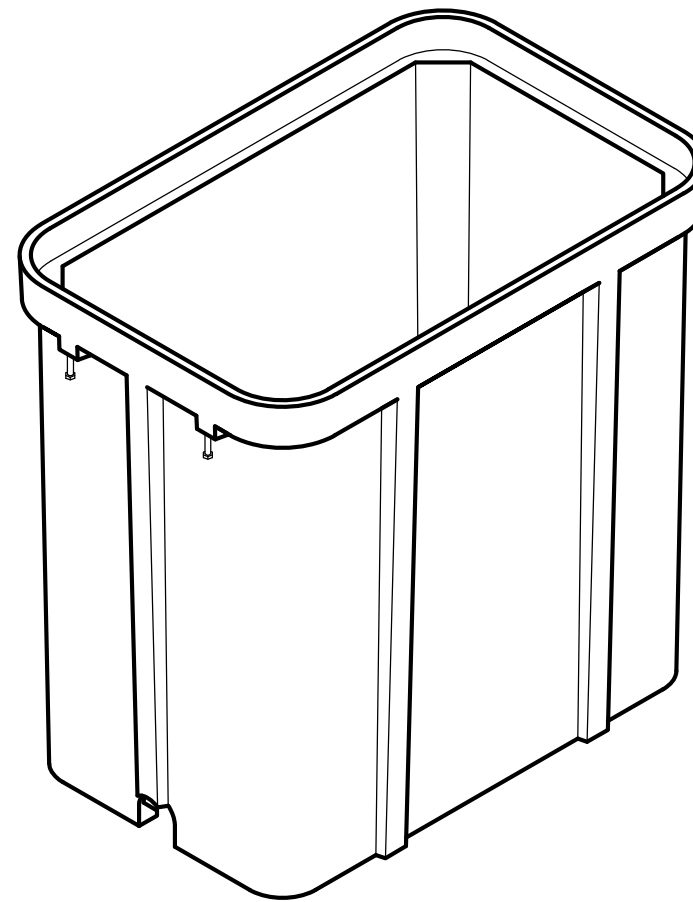
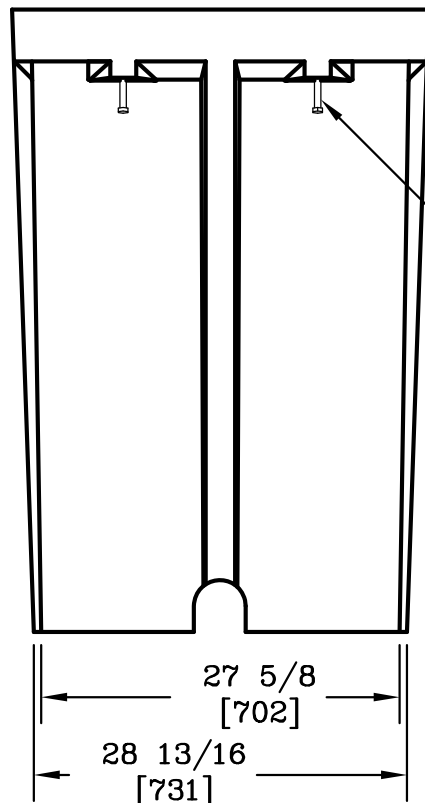
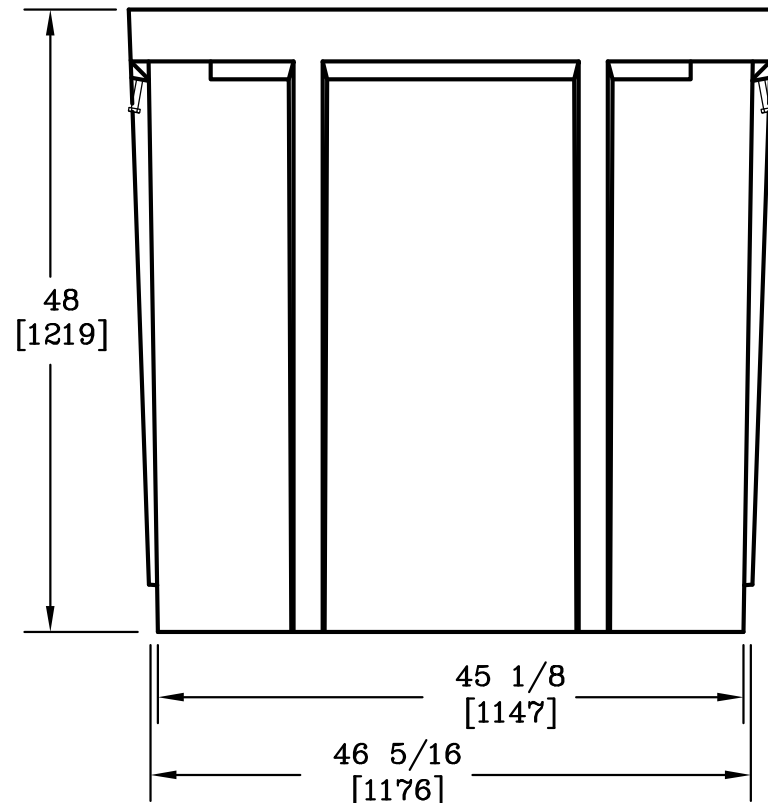


3/8-7 SELF ALIGNING,  
REPLACEABLE S.S. EZ-NUT  
2 PLACES



**SECTION A-A**




1/2-13 UNC  
LIFTING BOLT  
4 PLACES



**NOTE:**

1. THIS BOX IS TO BE USED AS THE BOTTOM UNIT WHEN USED IN AN ASSEMBLY.

DIMENSIONS ARE IN INCHES OR MILLIMETERS IN BRACKETS UNLESS OTHERWISE NOTED.						
DRN	BY	DATE	WEIGHT		3621 INDUSTRIAL PARK DR LENOIR CITY, TN 37771 800-346-3062 www.quazite.com	LOC
			468# 212kg			LC
CHK	M&F	5/8/12	SCALE	DRAWING DESCRIPTION QUAZITE® 30 X 48 X 48 BOX		REV
ENG			3/4"=1'			B
APR			SIZE			
APR			B			
PROJECT NUMBER				DRAWING NUMBER		
106067				PG3048BA48		
SHEET 1 OF 1						