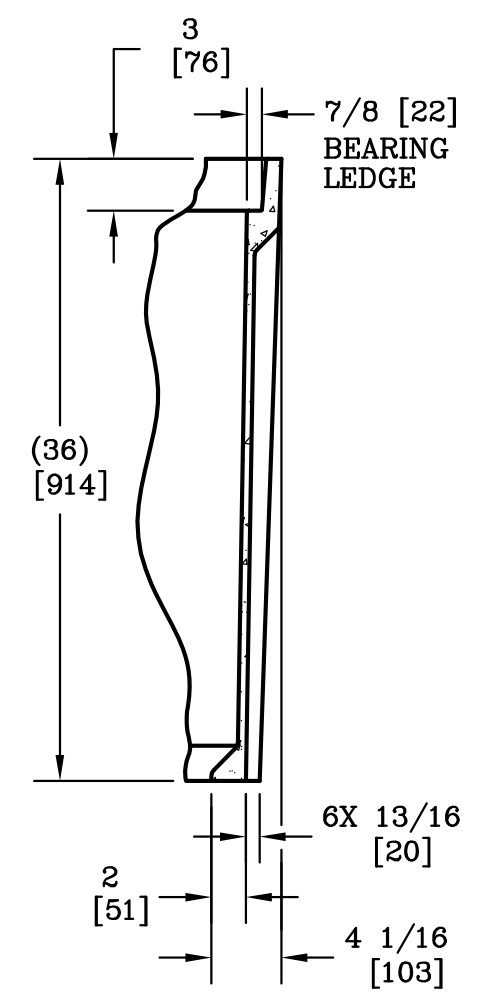
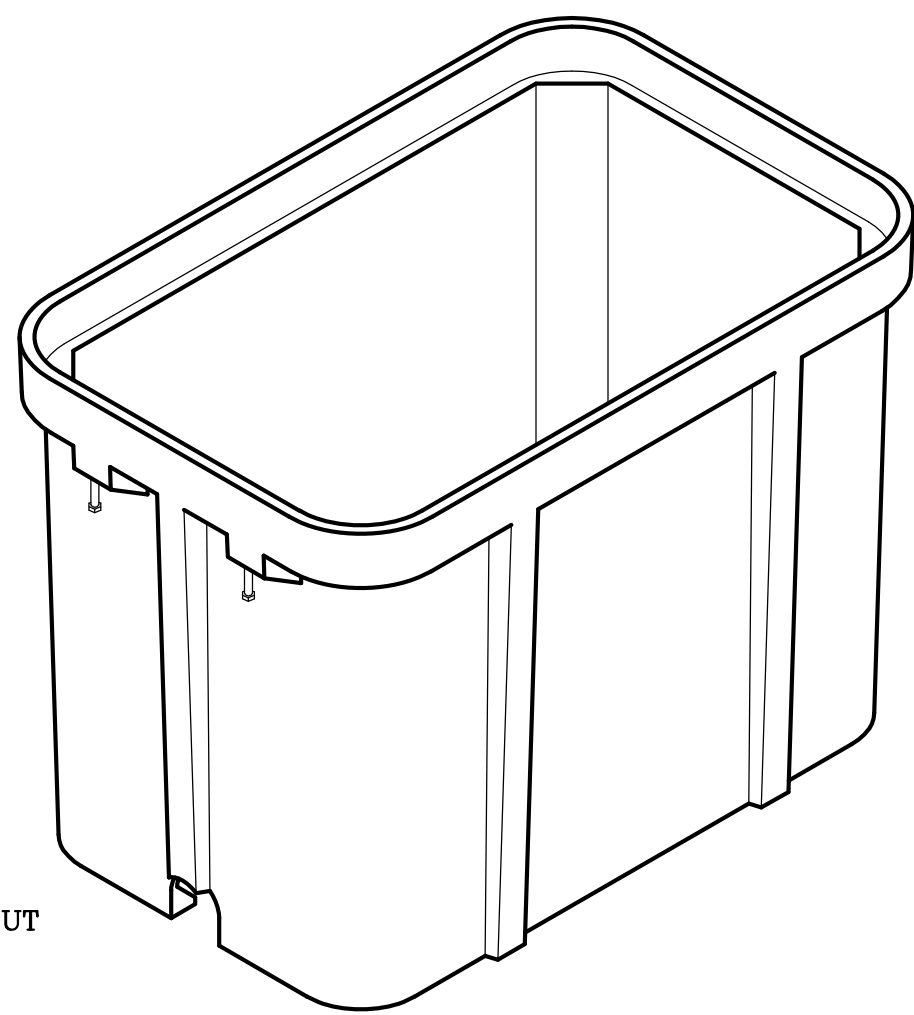


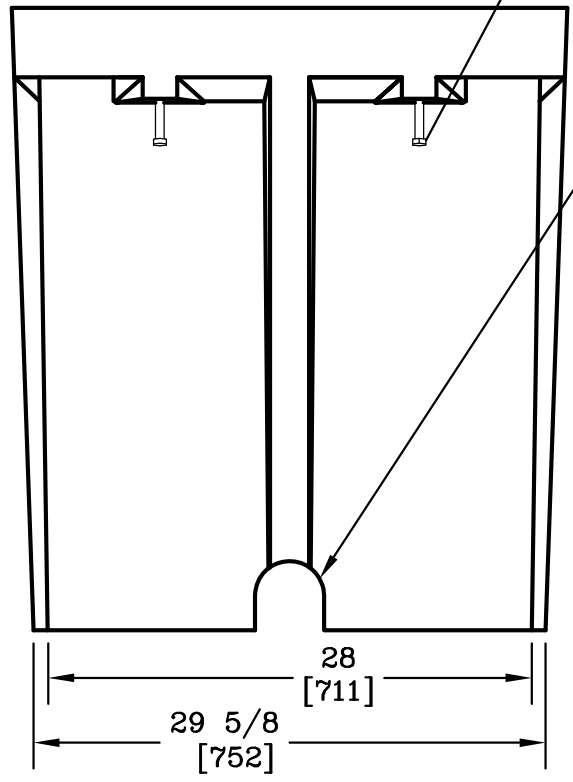
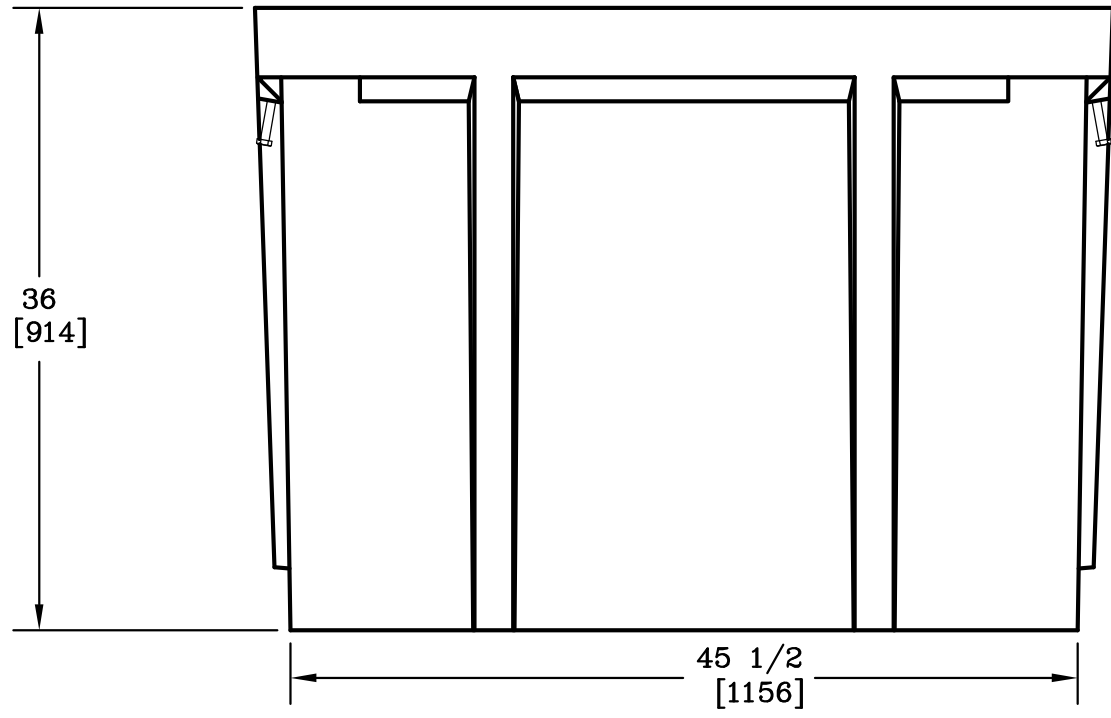
3/8-7 SELF ALIGNING,
REPLACEABLE S.S. EZ-NUT
2 PLACES



SECTION A-A

1/2-13 UNC
LIFTING BOLT
4 PLACES

2X 4 [102] X 4 [102]
MOUSEHOLES
(ONE CENTERED EACH END)



NOTES:

1. THIS BOX IS TO BE USED AS THE BOTTOM UNIT WHEN USED IN AN ASSEMBLY.
2. DIMENSIONS IN BRACKETS ARE IN MILLIMETERS UNLESS NOTED OTHERWISE.



DIMENSIONS ARE IN INCHES OR MILLIMETERS IN BRACKETS UNLESS OTHERWISE NOTED.				3621 INDUSTRIAL PARK DR LENOIR CITY, TN 37771 800-346-3062 www.quazite.com	LOC
DRN	BY	DATE	WEIGHT		DRAWING DESCRIPTION
CHK	WRJ	3/4/99	364# 165kg	QUAZITE® BOX	
ENG	JJJ	3/5/99	SCALE		PROJECT NUMBER 99100
APR	M&F	3/4/99	1"=1'	SHEET 1 OF 1	
APR	EMJ	3/5/99	SIZE		DRAWING NUMBER PG3048BB36