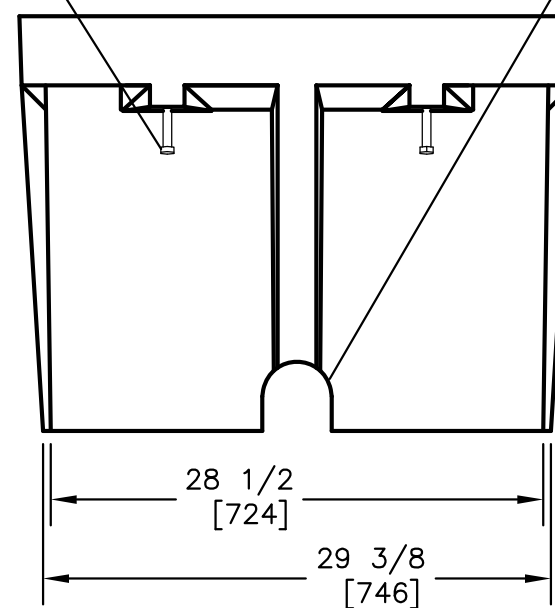
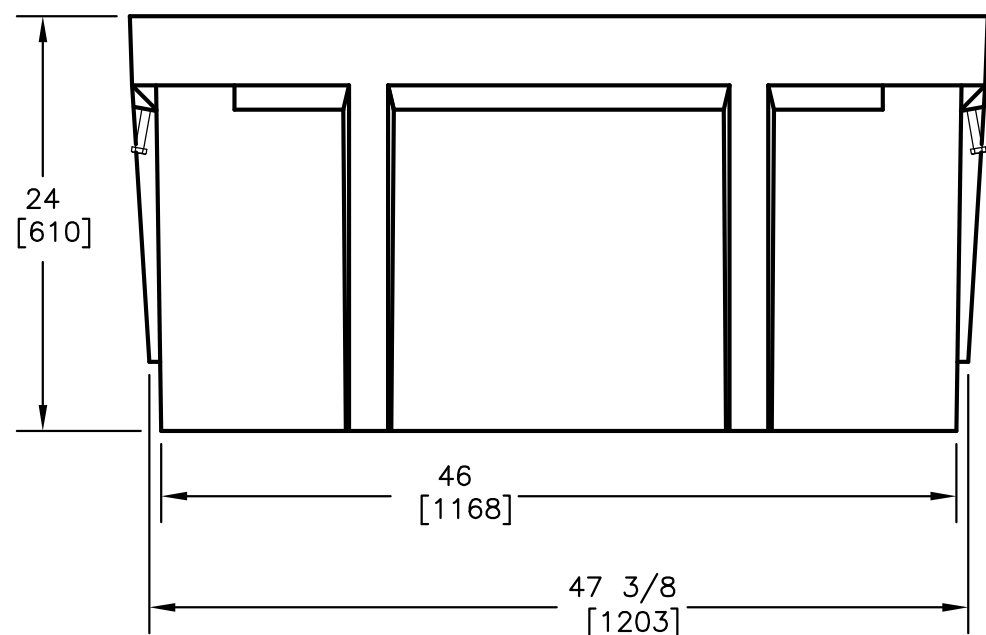


SECTION A-A

3/8-7 SELF ALIGNING,
REPLACEABLE S.S. EZ-NUT
2 PLACES


1/2-13 UNC
LIFTING BOLT
4 PLACES

4 [102] X 4 [102]
MOUSEHOLE
(ONE EACH END)



NOTE:

- DIMENSIONS IN BRACKETS ARE IN MILLIMETERS UNLESS NOTED OTHERWISE.

| DIMENSIONS ARE IN INCHES OR MILLIMETERS IN BRACKETS UNLESS OTHERWISE NOTED. | | | | | |
|---|----|------|-------------------|---|----------|
| DRN | BY | DATE | WEIGHT |  3621 INDUSTRIAL PARK DR LENOIR CITY, TN 37771 800-346-3062 www.quazite.com | LOC |
| | | | 244# 111kg | | |
| CHK | | | SCALE | QUAZITE® BOX | S REV |
| ENG | | | 1"=1' | | E |
| APR | | | SIZE | | 3/12 |
| APR | | | B | | |
| PROJECT NUMBER | | | DRAWING NUMBER | | |
| 94527 | | | PG3048BB24 | | |
| SHEET 1 OF 1 | | | | | |