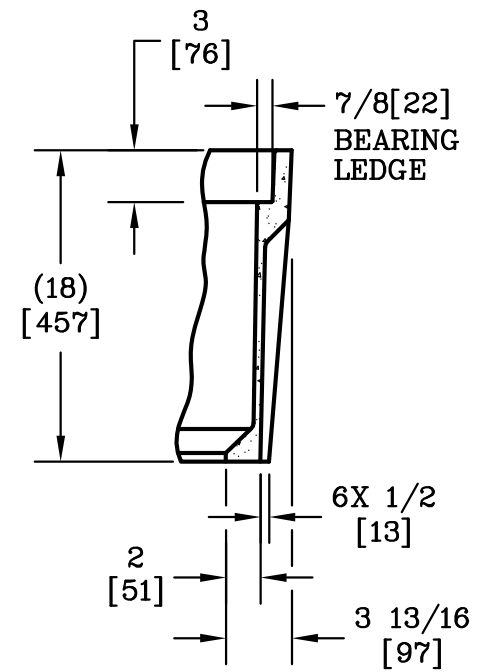
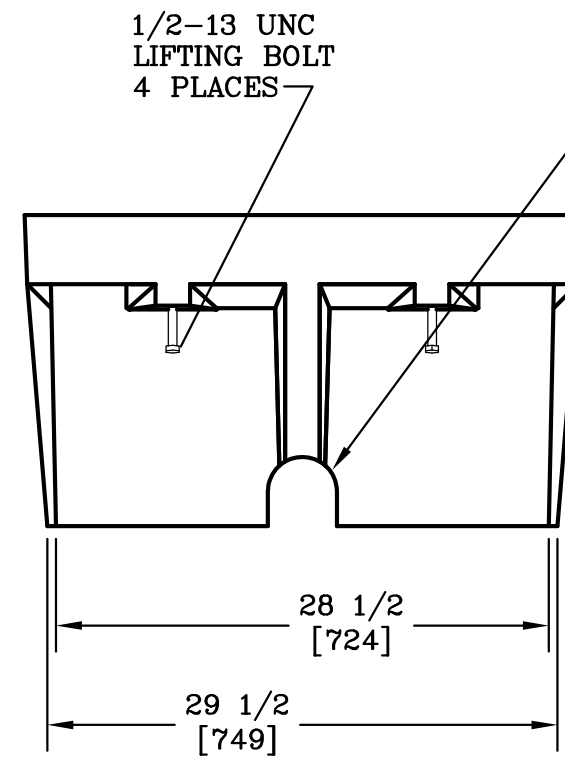
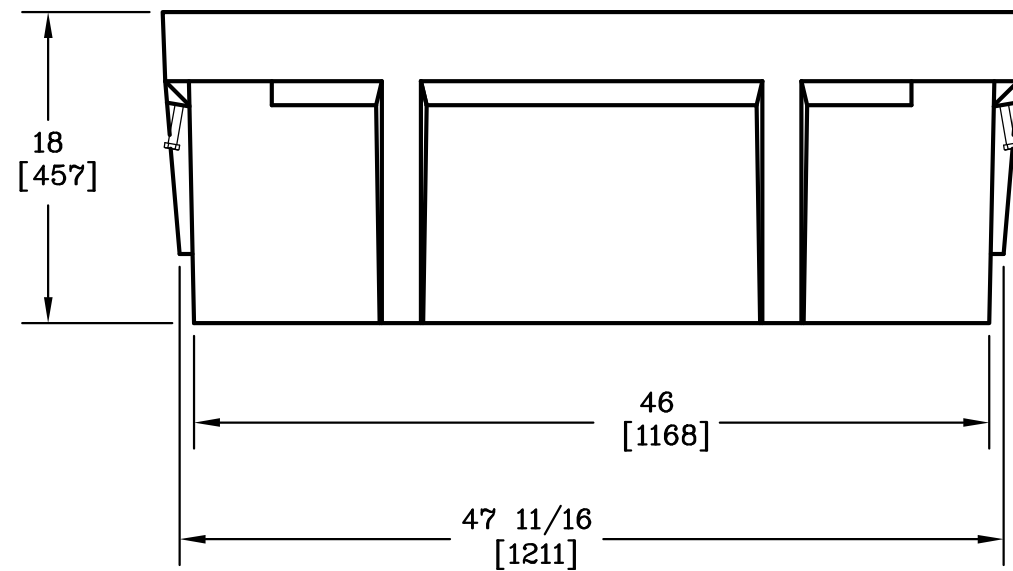


3/8-7 SELF ALIGNING,
REPLACEABLE S.S. EZ-NUT
2 PLACES



SECTION A-A




1/2-13 UNC
LIFTING BOLT
4 PLACES

4 [102] X 4 [102]
MOUSEHOLE
(ONE EACH END)



NOTE:

1. DIMENSIONS IN BRACKETS ARE IN MILLIMETERS UNLESS NOTED OTHERWISE.

DIMENSIONS ARE IN INCHES OR MILLIMETERS IN BRACKETS UNLESS OTHERWISE NOTED.					
DRN	BY	DATE	WEIGHT	 3621 INDUSTRIAL PARK DR LENOIR CITY, TN 37771 800-346-3062 www.quazite.com	LOC
			191# 87kg		
CHK			SCALE	QUAZITE® BOX W/ MOUSEHOLES	S REV
ENG			1"=1'		F
APR			SIZE		3/12
APR			B		
PROJECT NUMBER			DRAWING NUMBER		
88243			PG3048BB18		
SHEET 1 OF 1					