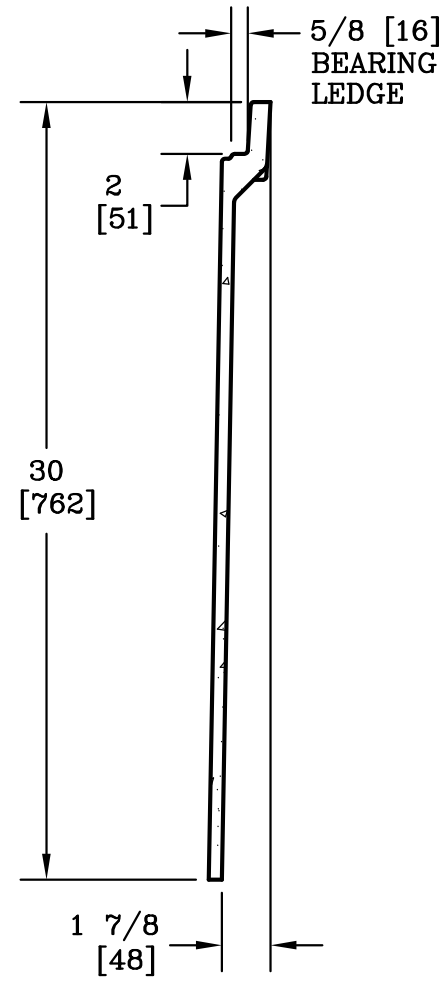
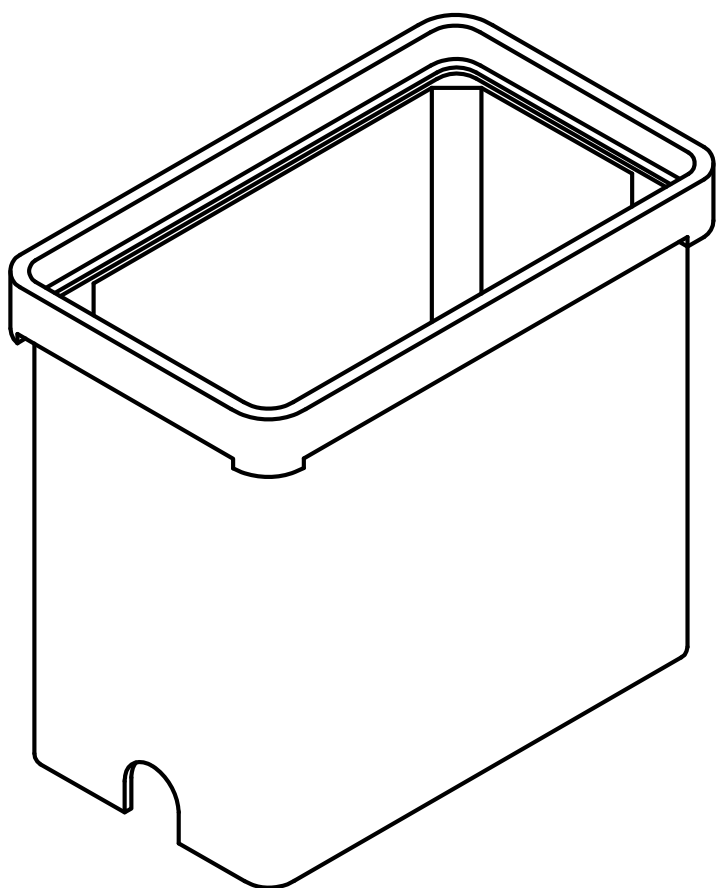
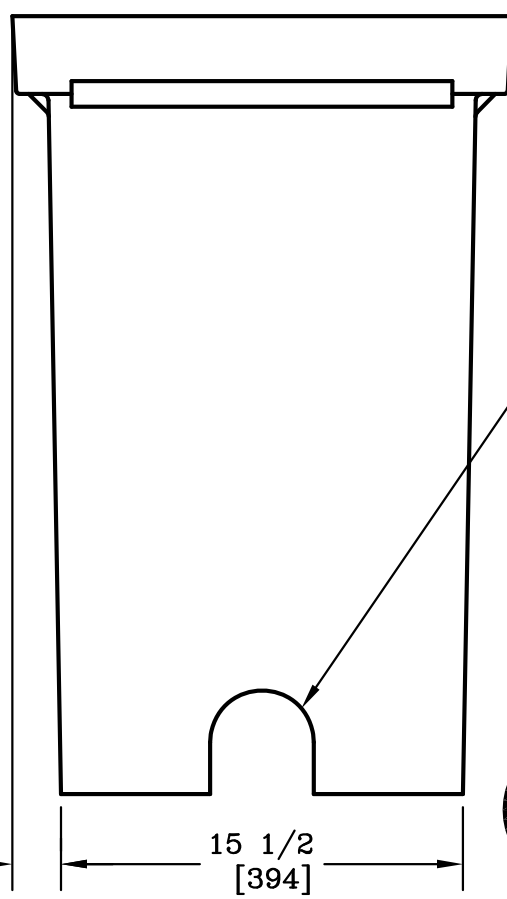
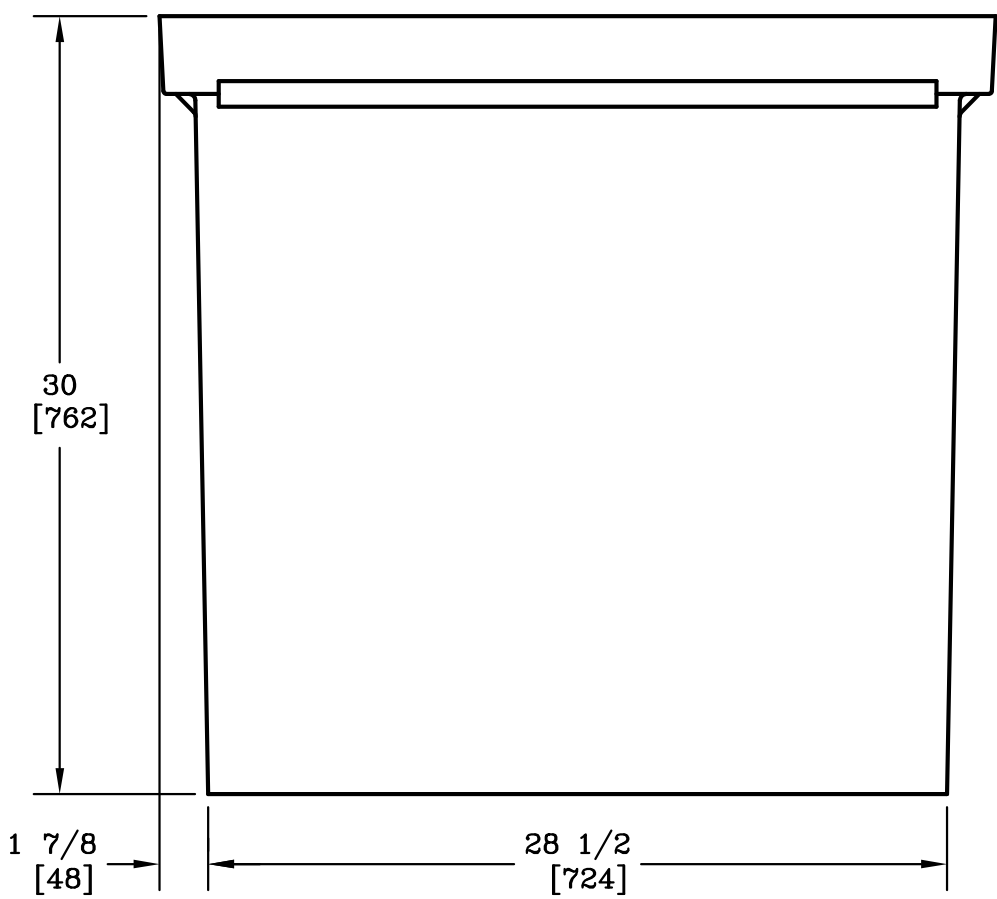


3/8-7 SELF ALIGNING,  
REPLACEABLE S.S. EZ-NUT  
2 PLACES



**SECTION A-A**



4 [102] X 4 [102] MOUSEHOLE  
(1 CENTERED EACH END)

**NOTE:**

1. DIMENSIONS IN BRACKETS ARE IN MILLIMETERS UNLESS NOTED OTHERWISE.



DIMENSIONS ARE IN INCHES OR MILLIMETERS IN BRACKETS UNLESS OTHERWISE NOTED.							
DRN	BY	DATE	WEIGHT		3621 INDUSTRIAL PARK DR LENOIR CITY, TN 37771 800-346-3062 www.quazite.com		
			158# 72kg				
CHK	M&F	8/8/95	SCALE	DRAWING DESCRIPTION			
ENG	MS	8/8/95	1 1/2"=1'	<b>QUAZITE® BOX</b>			
APR	JMP	8/8/95	SIZE			C	
APR			B				
PROJECT NUMBER			SHEET 1 OF 1		DRAWING NUMBER		
95267					PG1730BB30		