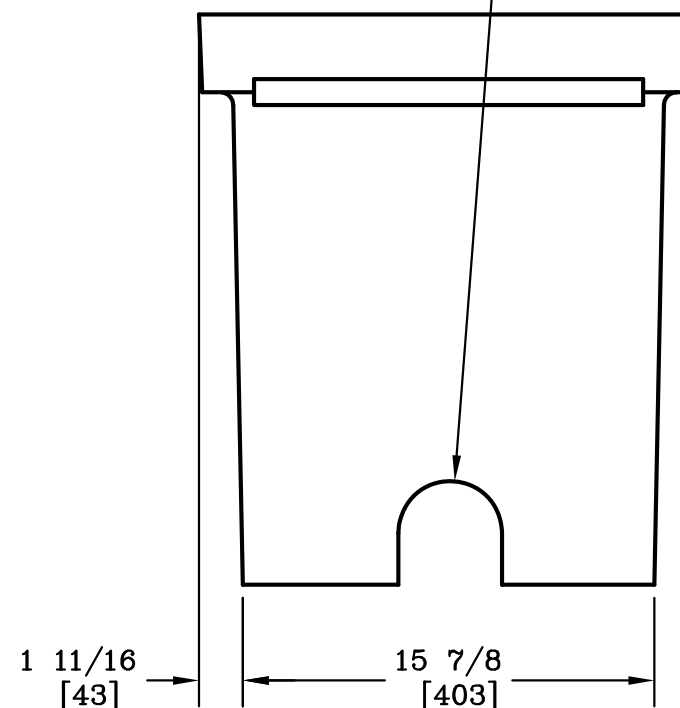
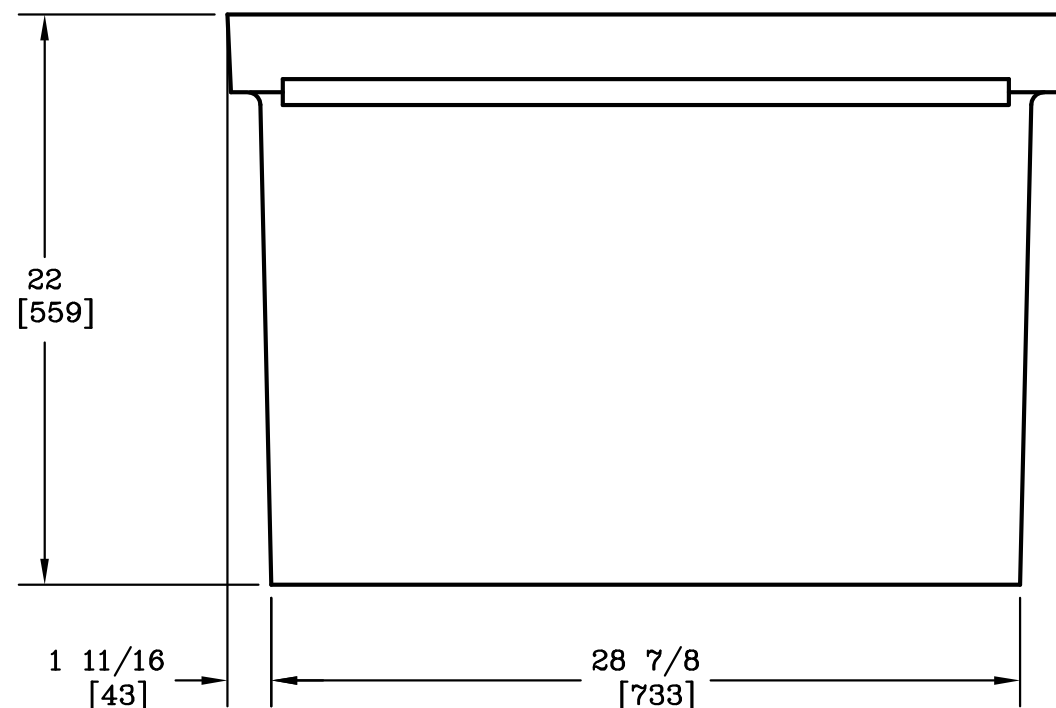


3/8-7 SELF ALIGNING,
REPLACEABLE S.S. EZ-NUT
2 PLACES

2X 4 [102] X 4 [102] MOUSEHOLES
1 CENTERED EACH END



NOTE:

1. DIMENSIONS IN BRACKETS ARE IN MILLIMETERS
UNLESS NOTED OTHERWISE.



DIMENSIONS ARE IN INCHES OR MILLIMETERS IN BRACKETS UNLESS OTHERWISE NOTED.					
DRN	BY	DATE	WEIGHT	3621 INDUSTRIAL PARK DR LENOIR CITY, TN 37771 800-346-3062 www.quazite.com	LOC
CHK	WRJ	7/12/91	102# 46kg.		S
ENG	FPD	7/12/91	SCALE	DRAWING DESCRIPTION	REV
APR	M&F	7/12/91	1 1/2"=1'		C
APR	VJB	7/12/91	SIZE		3/12
PROJECT NUMBER			DRAWING NUMBER		
91207			PG1730BB22		
SHEET 1 OF 1					

**QUAZITE[®] BOX
WITH MOUSEHOLES**