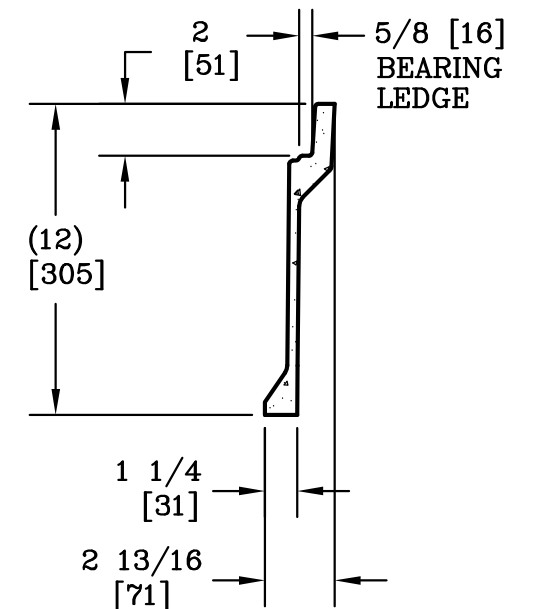
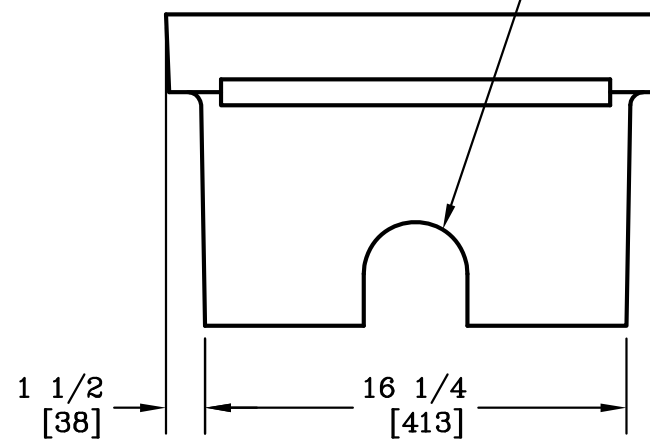
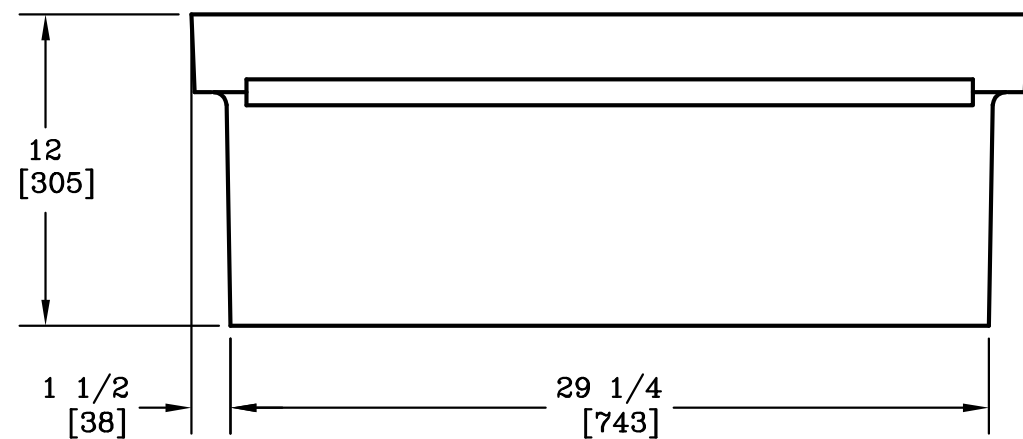


3/8-7 SELF ALIGNING,
REPLACEABLE S.S. EZ-NUT
2 PLACES



SECTION A-A

2X 4 [102] X 4 [102] MOUSEHOLE
1 CENTERED EACH END



NOTE:

1. DIMENSIONS IN BRACKETS ARE IN MILLIMETERS
UNLESS NOTED OTHERWISE.



DIMENSIONS ARE IN INCHES OR MILLIMETERS IN BRACKETS UNLESS OTHERWISE NOTED.						
DRN	DW	7/17/91	WEIGHT		3621 INDUSTRIAL PARK DR LENOIR CITY, TN 37771 800-346-3062 www.quazite.com	LOC
CHK	WRJ	7/18/91	66# 30kg			S
ENG	FPD	7/18/91	SCALE	QUAZITE® 17X30X12 BOX W/ 4X4 MOUSEHOLES		REV
APR	M&F	7/18/91	1 1/2"=1'			C
APR	VJB	7/18/91	SIZE			3/12
PROJECT NUMBER			DRAWING NUMBER			
91205			PG1730BB12		SHEET 1 OF 1	