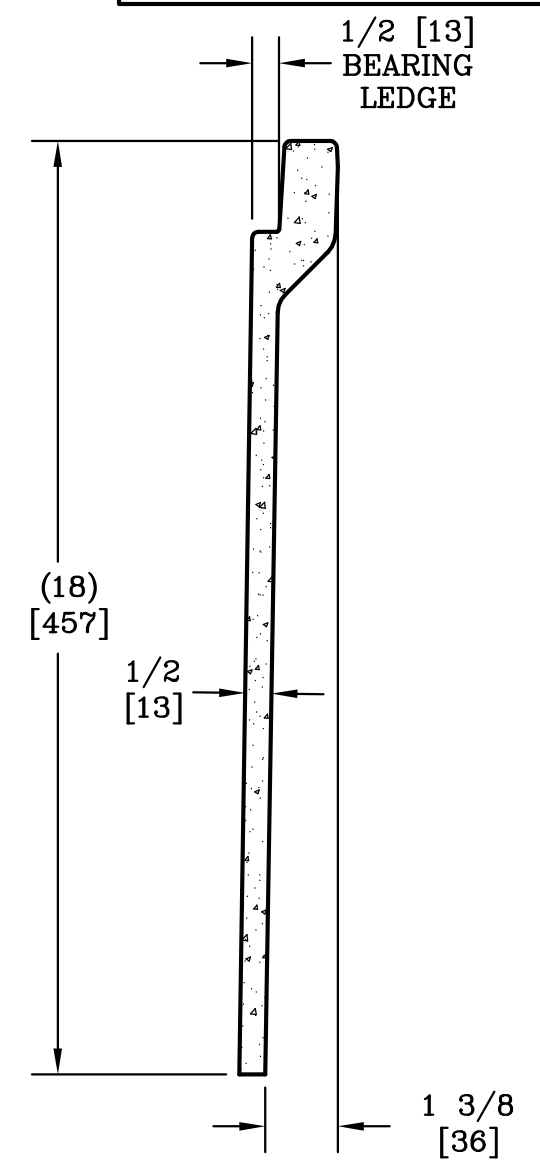
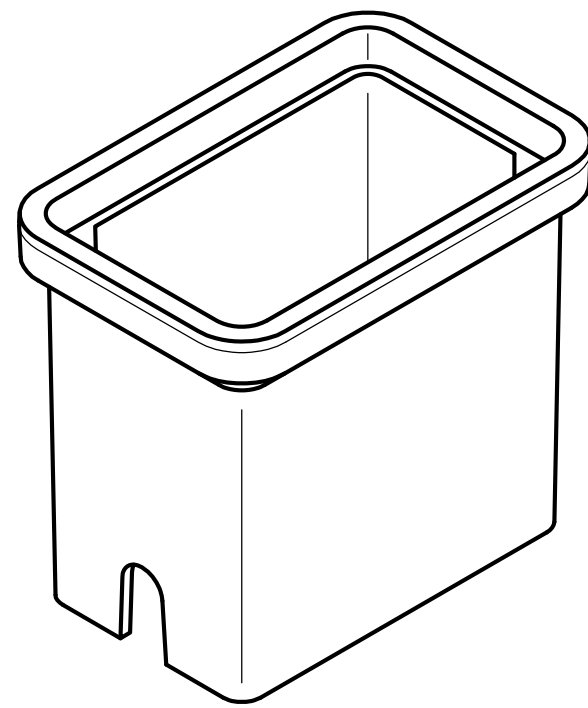
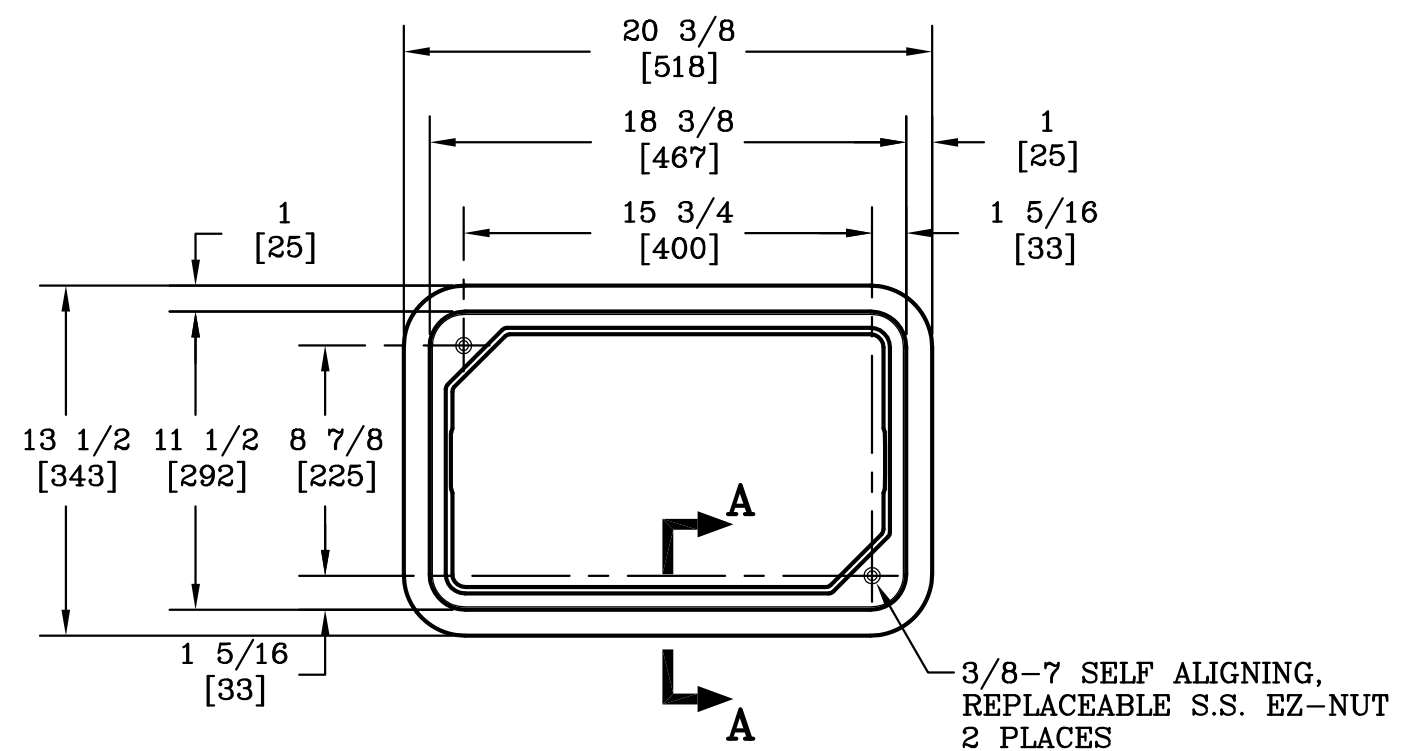
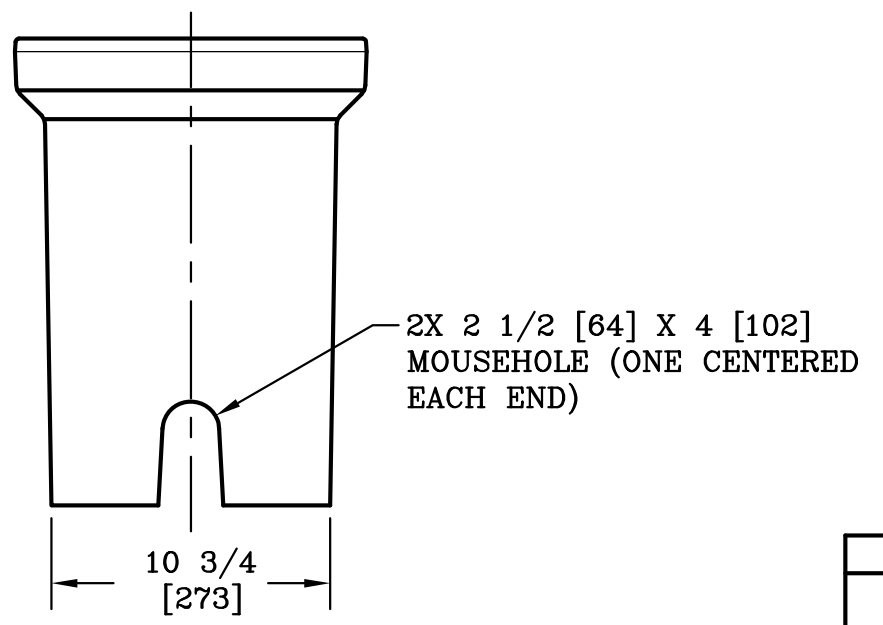
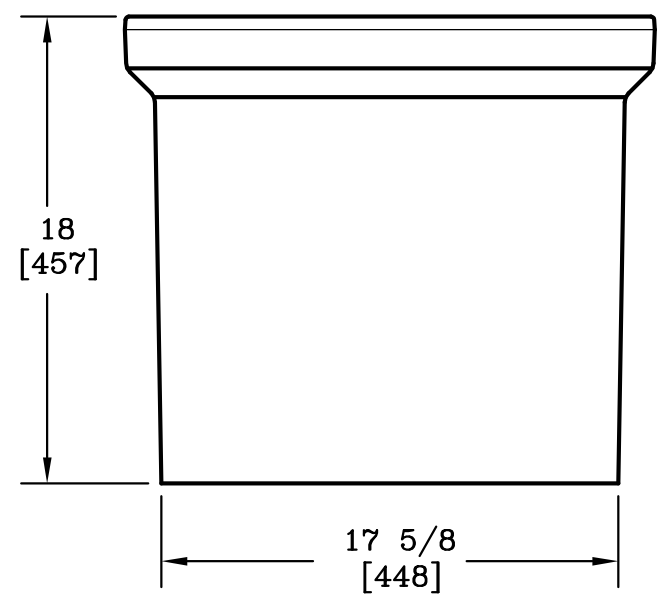



CUSTOMER APPROVAL
 APPROVED BY: _____
 DATE: _____



SECTION A-A
 SCALE: 3"=1'

NOTE:
 1. THIS BOX IS RATED FOR ANSI/SCTE 77 2010 TIER 22.



DIMENSIONS ARE IN INCHES OR MILLIMETERS IN BRACKETS UNLESS OTHERWISE NOTED.						
DRN	BY	DATE	WEIGHT		3621 INDUSTRIAL PARK DR LENOIR CITY, TN 37771 800-346-3062 www.quazite.com	LOC
CHK	ENG	APR	SCALE			LC
APR	APR	APR	SIZE	DRAWING DESCRIPTION QUAZITE® 11X18X18 BOX W/ (2) 2 1/2 X 4 MH'S	REV	C
PROJECT NUMBER	SHEET 1 OF 1		DRAWING NUMBER			3/12
04562			PG1118BB18			