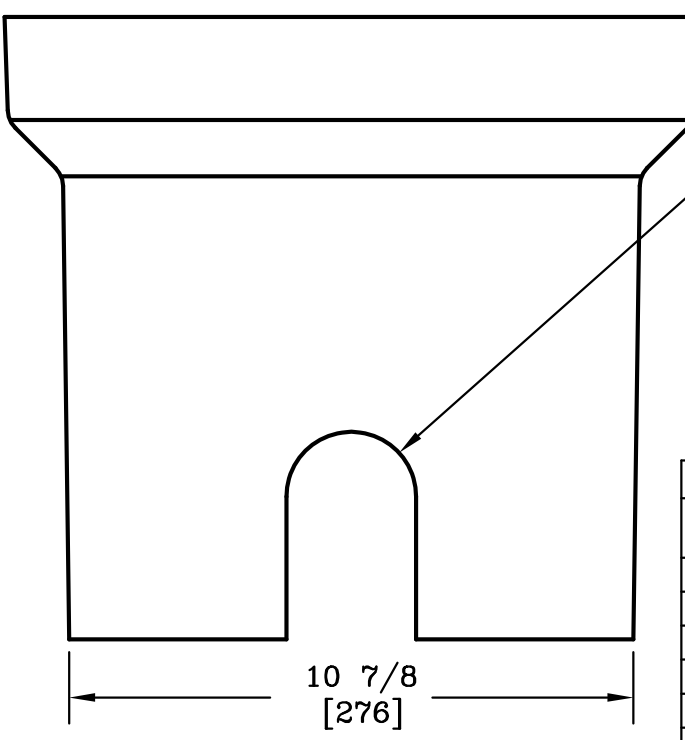
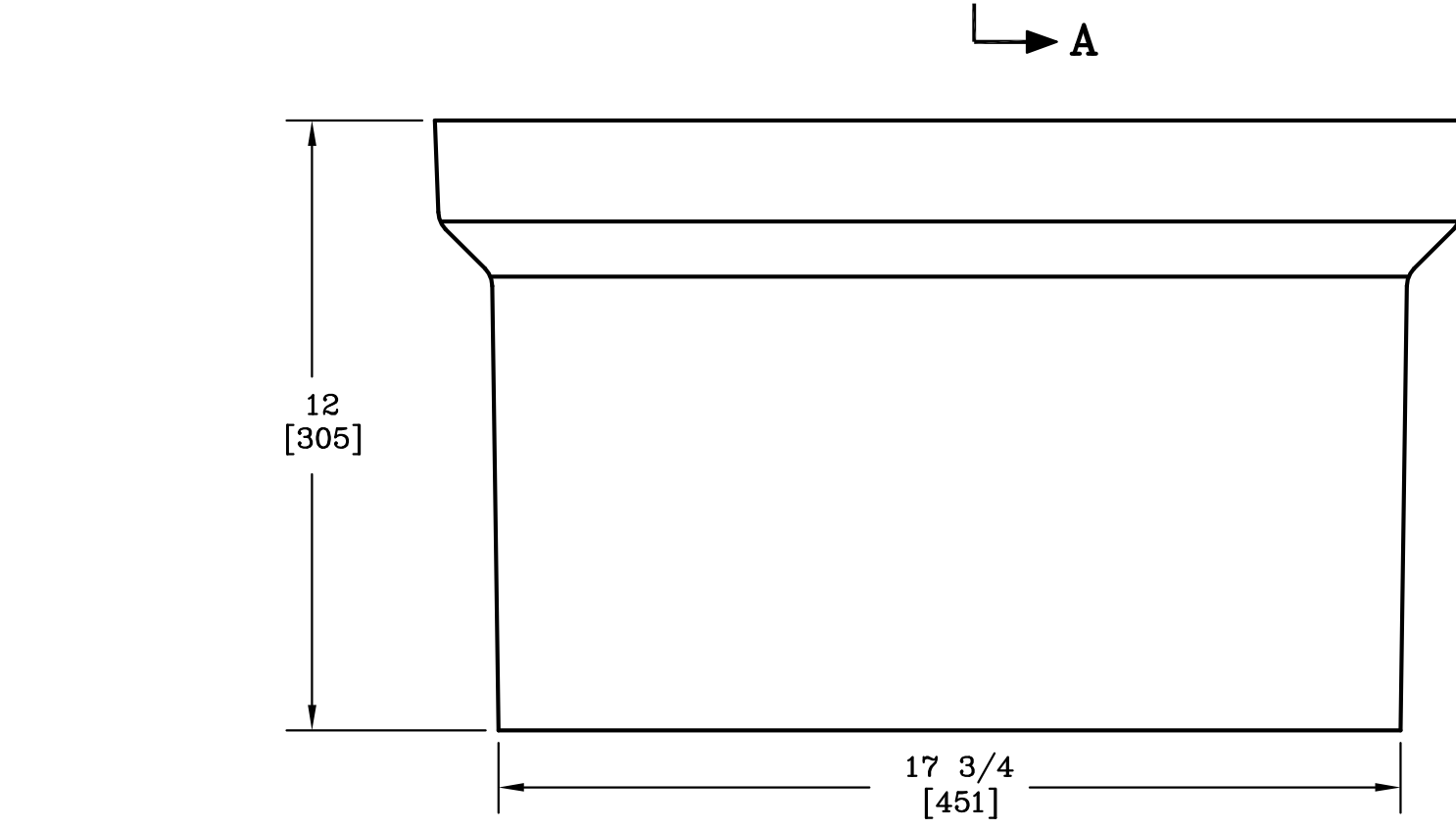
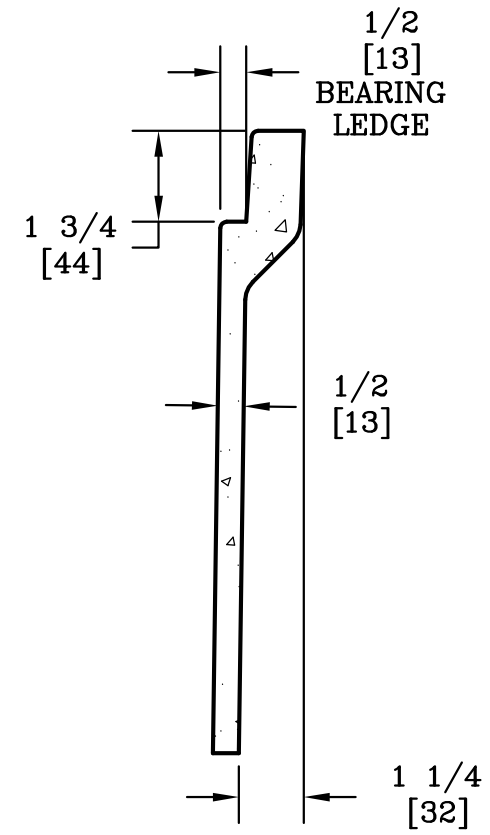
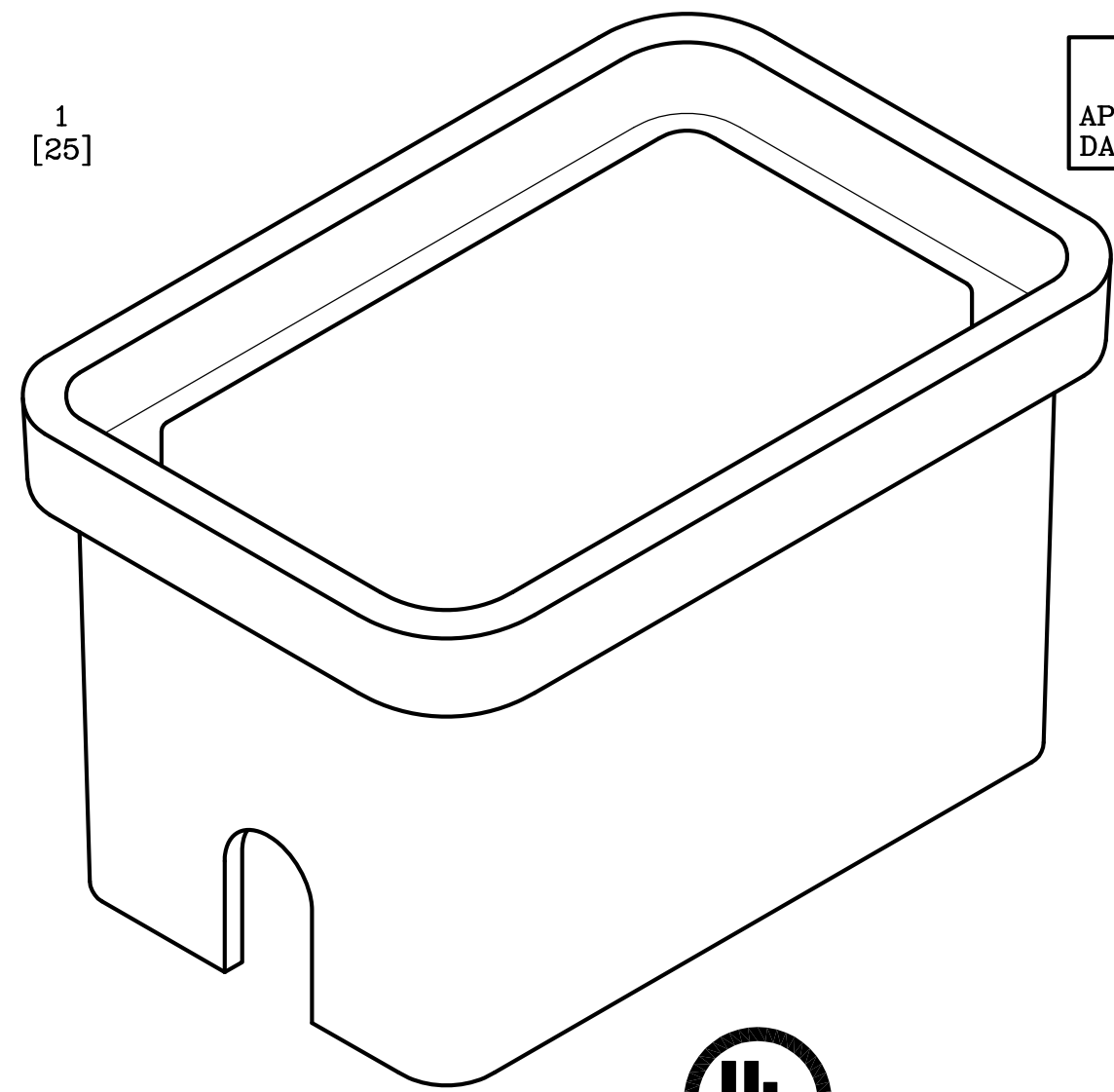
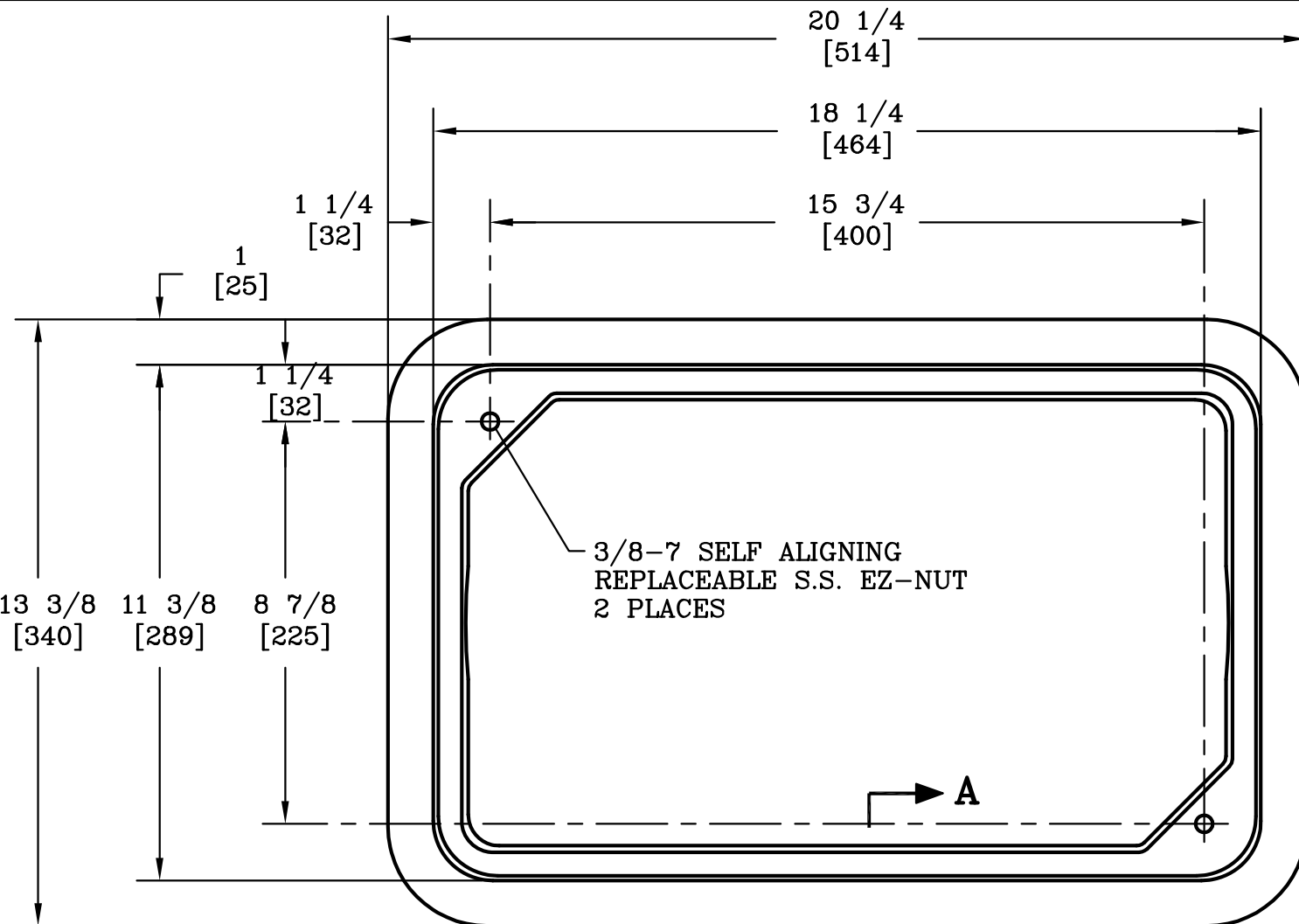


CUSTOMER APPROVAL
 APPROVED BY: _____
 DATE: _____



2X 2 1/2 [64] X 4 [102]
 MOUSEHOLE
 (ONE CENTERED EACH
 END)

SECTION A-A

NOTE:
 1. THIS BOX IS RATED FOR
 ANSI/SCTE 77 2010 TIER 22.

DIMENSIONS ARE IN INCHES OR MILLIMETERS IN BRACKETS UNLESS OTHERWISE NOTED.				3621 INDUSTRIAL PARK DR LENOIR CITY, TN 37771 800-346-3062 www.quazite.com	LOC	
DRN	BY	DATE	WEIGHT		DRAWING DESCRIPTION	S
CHK	ENG	APR	SCALE	QUAZITE® 11X18X12 BOX W/2 1/2 X 4 MOUSEHOLES		REV
APR	APR	APR	SIZE			D
APR			B			3/12
PROJECT NUMBER						DRAWING NUMBER
91271				SHEET 1 OF 1	PG1118BB12	