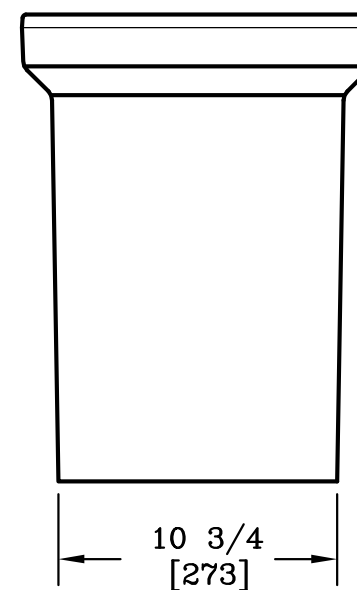
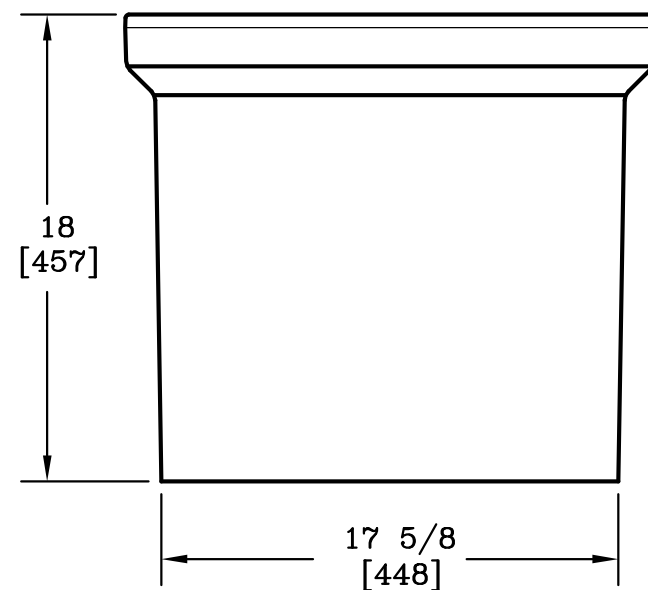



SECTION A-A

SCALE: 3"=1'



DIMENSIONS ARE IN INCHES OR MILLIMETERS IN BRACKETS UNLESS OTHERWISE NOTED.						
DRN	BY	DATE	WEIGHT	 3621 INDUSTRIAL PARK DR LENOIR CITY, TN 37771 800-346-3062 www.quazite.com	LOC	
			55# 25kg		LC	
CHK			SCALE	DRAWING DESCRIPTION QUAZITE® BOX W/ GASKET STANDARD VERSION	REV	
ENG			1 1/2"=1'		C	
APR			SIZE			
APR			B			
PROJECT NUMBER					DRAWING NUMBER	
03801					PG1118BG18	
				SHEET 1 OF 1		