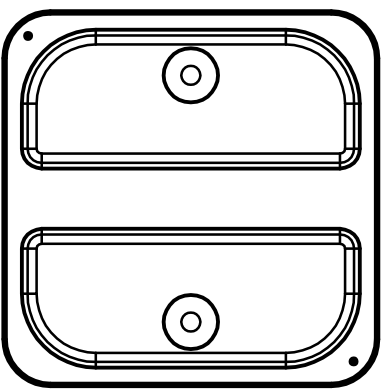
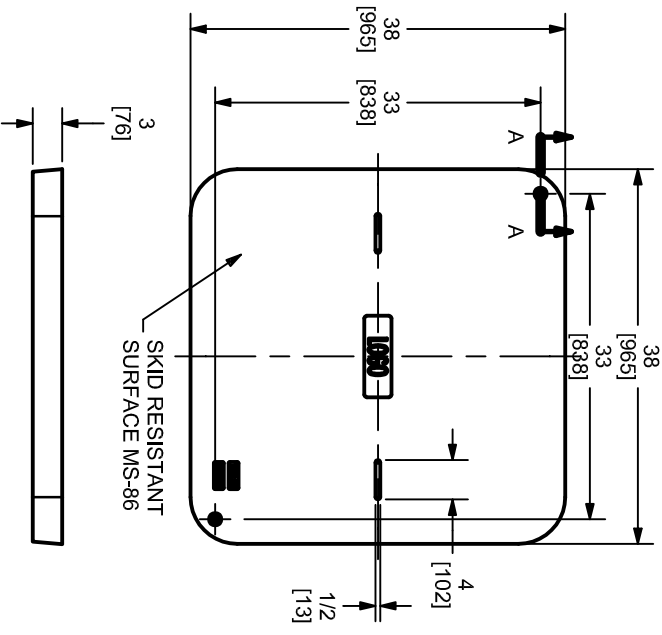
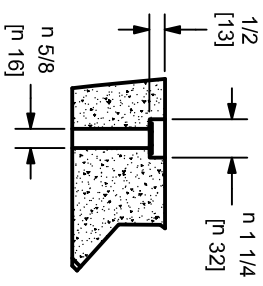


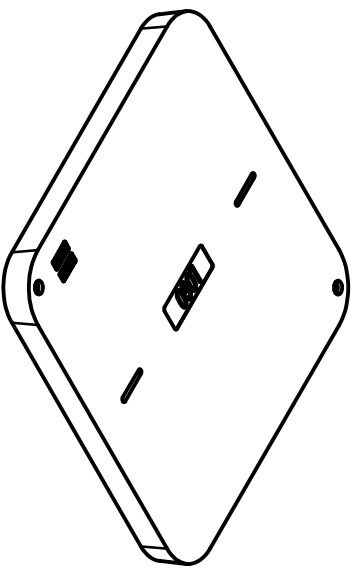
PARTS LIST					
ITEM	CATEGORY	PART NUMBER	DESCRIPTION	QTY	BASE UNIT
1	L	C080177	BOLT SS AUG 3/8-7 X 4.00 HEX	2	Each
2	L	C080210	WASHER SS 3/8 ID X 1.000 OD FL	2	Each



BOTTOM VIEW



SECTION A-A
2 PLACES



NOTE:
1. RATED FOR A STATIC DESIGN LOAD OF 22,500 LBS. [100,085] OVER A 10 [254] X 20 [508] AREA AND MUST PASS A MINIMUM STATIC TEST LOAD OF 33,750 LBS. [150,120 N].



DRAFTER		DATE		WEIGHT		DWC	
BR/		2222 #		101kg		LC	
DWN		6/21/04		SCALE		S	
CHK		7/12/04		NTS		REV	
ENGR		7/13/04		SIZE		D	
APPR		B		DRAWING DESCRIPTION		REV	
ESK #		04676		QUAZITE® COVER		4/18	
SHEET 1 OF 1		DRAWING NUMBER		PC6363H100			