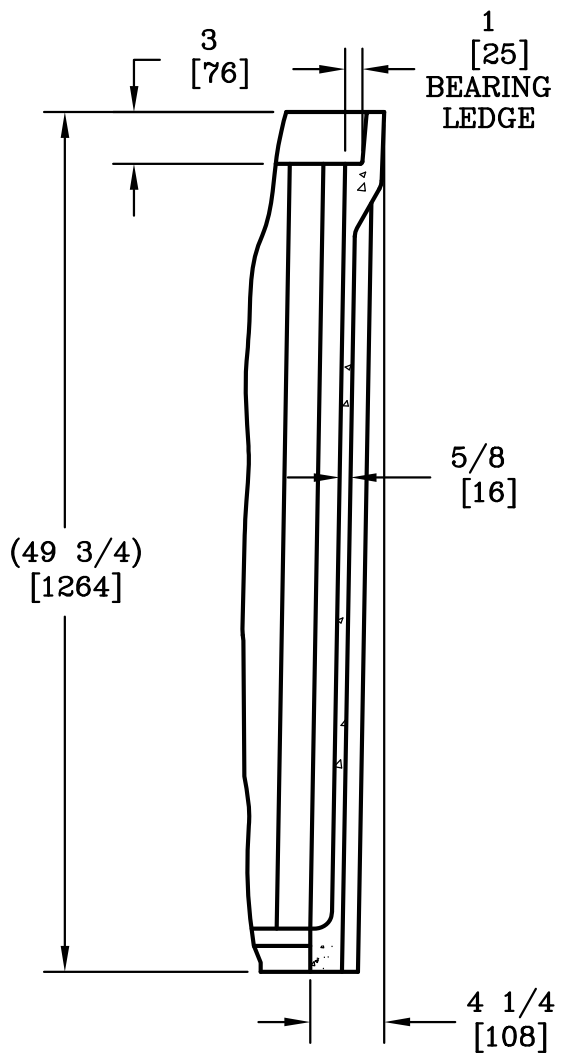
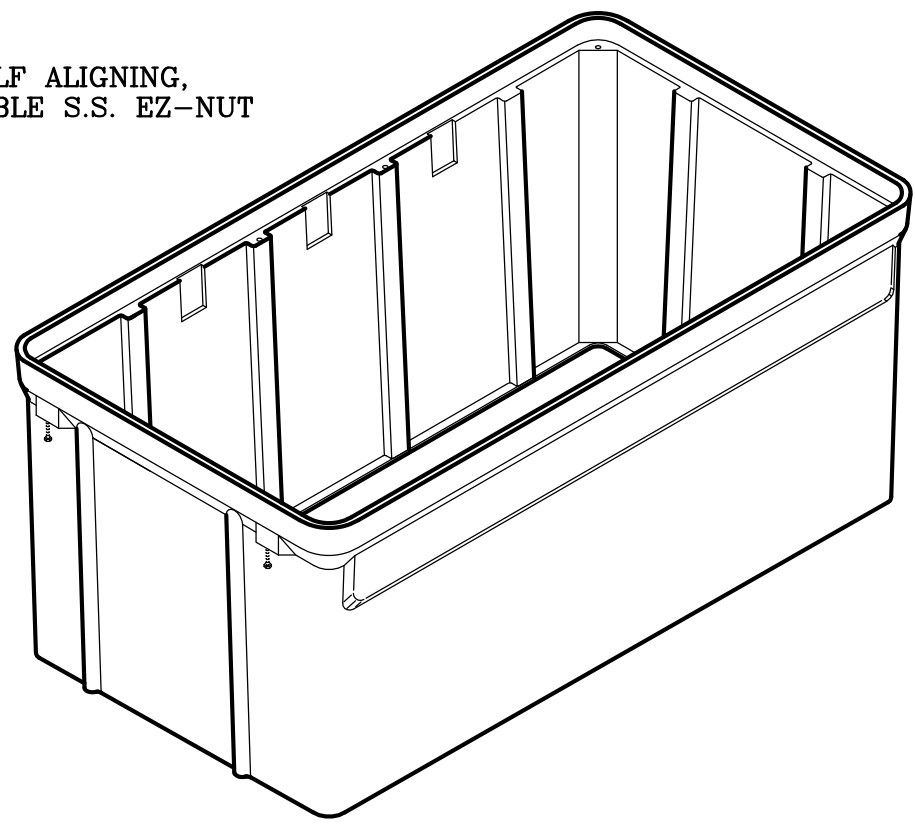
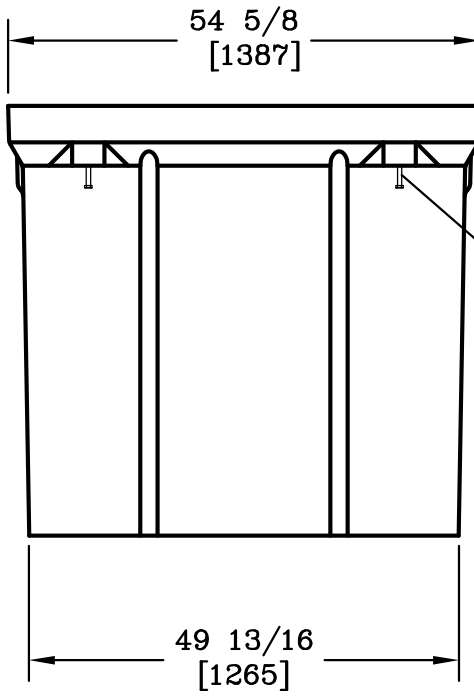
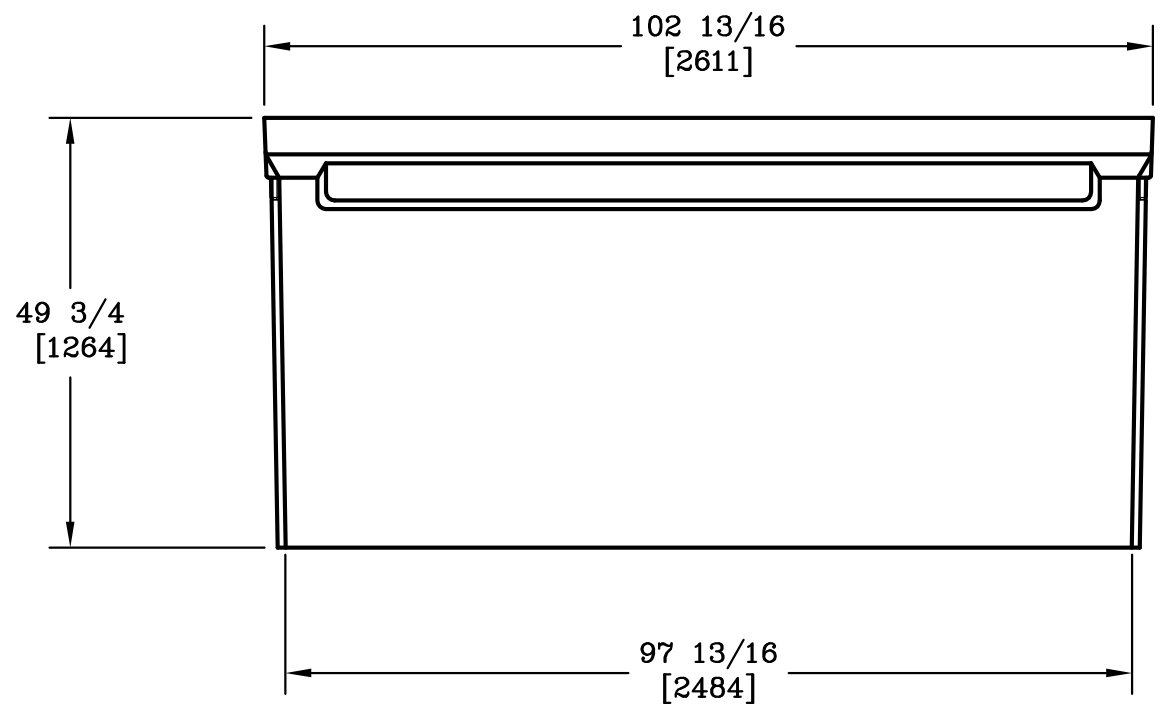


1/2-6 SELF ALIGNING,
REPLACEABLE S.S. EZ-NUT
8 PLACES




SECTION A-A
SCALE: 1"=1'



1/2-13 UNC
LIFTING BOLT
4 PLACES

NOTE:
1. DIMENSIONS IN BRACKETS ARE IN MILLIMETERS
UNLESS NOTED OTHERWISE.

DIMENSIONS ARE IN INCHES OR MILLIMETERS IN BRACKETS UNLESS OTHERWISE NOTED.						
DRN	BY	DATE	WEIGHT		3621 INDUSTRIAL PARK DR LENOIR CITY, TN 37771 800-346-3062 www.quazite.com	LOC
CHK			1384# 628kg			S
ENG			SCALE	QUAZITE® BOX		REV
APR			1/2"=1'			E
APR			SIZE			3/12
PROJECT NUMBER			DRAWING NUMBER			
98296			PG4896BA48		SHEET 1 OF 1	