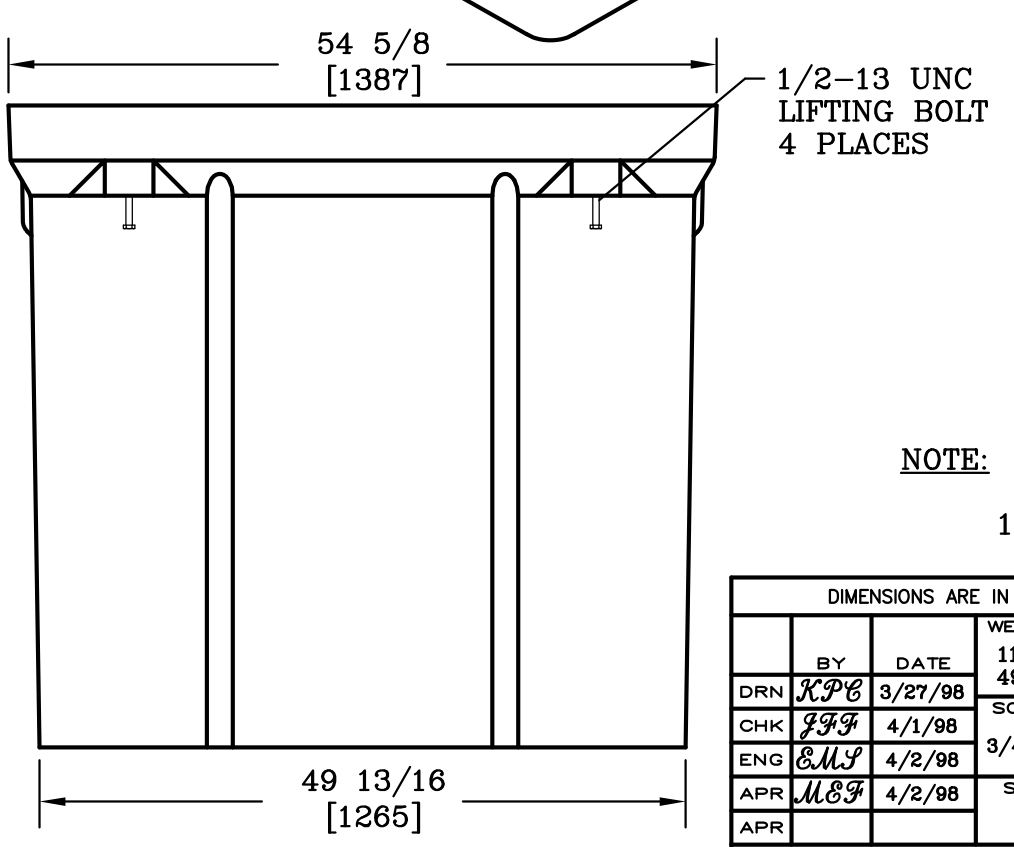
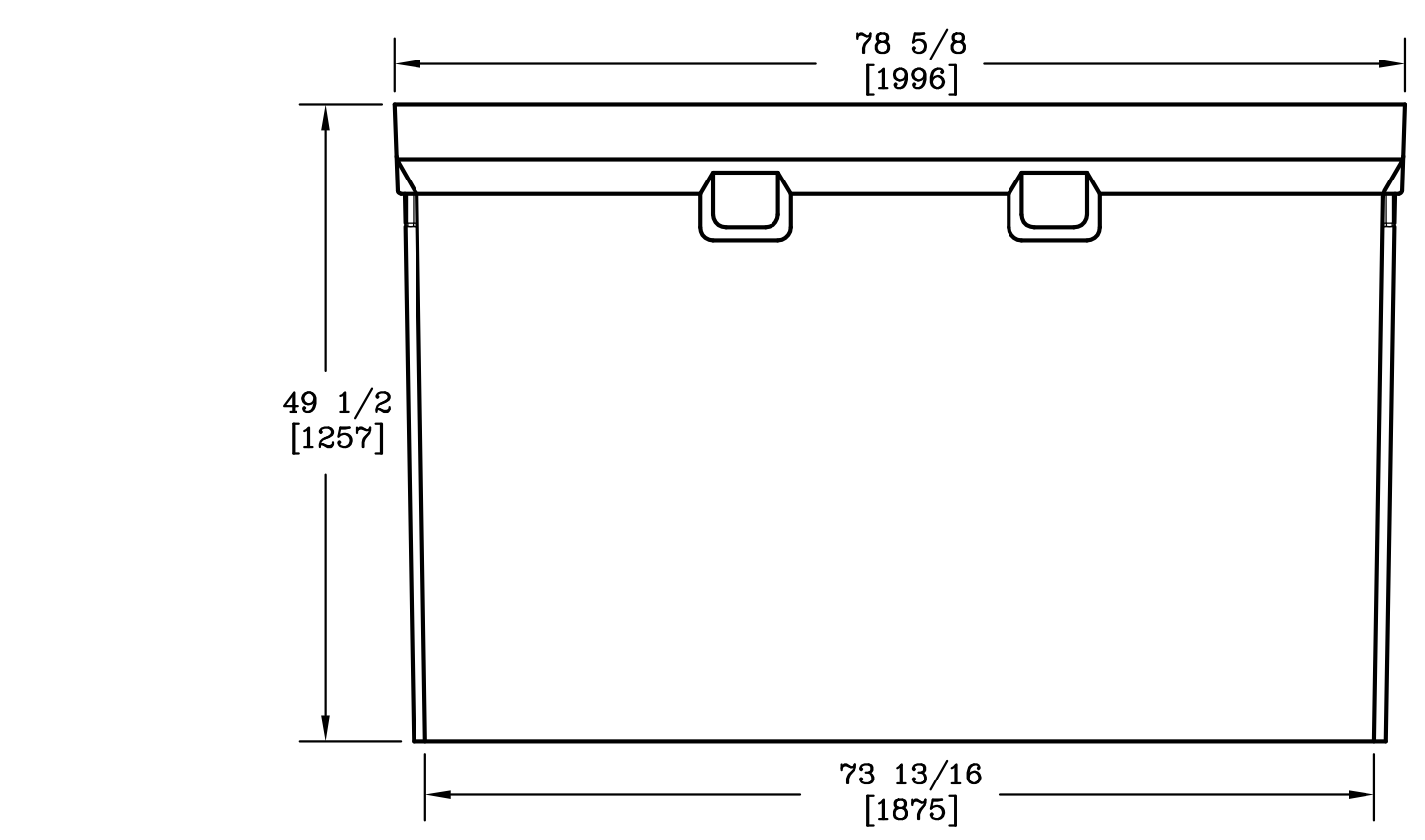



**SECTION A-A**  
SCALE: 3/8"=1'



**NOTE:**  
1. DIMENSIONS IN BRACKETS ARE IN MILLIMETERS UNLESS NOTED OTHERWISE.

DIMENSIONS ARE IN INCHES OR MILLIMETERS IN BRACKETS UNLESS OTHERWISE NOTED.				 3621 INDUSTRIAL PARK DR LENOIR CITY, TN 37771 800-346-3062 www.quazite.com	LOC	
DRN	BY	DATE	WEIGHT		DRAWING DESCRIPTION	S
CHK	ENG	APR	SCALE	<b>QUAZITE® BOX</b>		REV
APR	APR	APR	SIZE			G
APR			B			3/12
PROJECT NUMBER						DRAWING NUMBER
94616				PG4872BA48		
SHEET 1 OF 1						