

54 5/8 [1387] 52 5/8 [1336] 47 1/2 [1207]

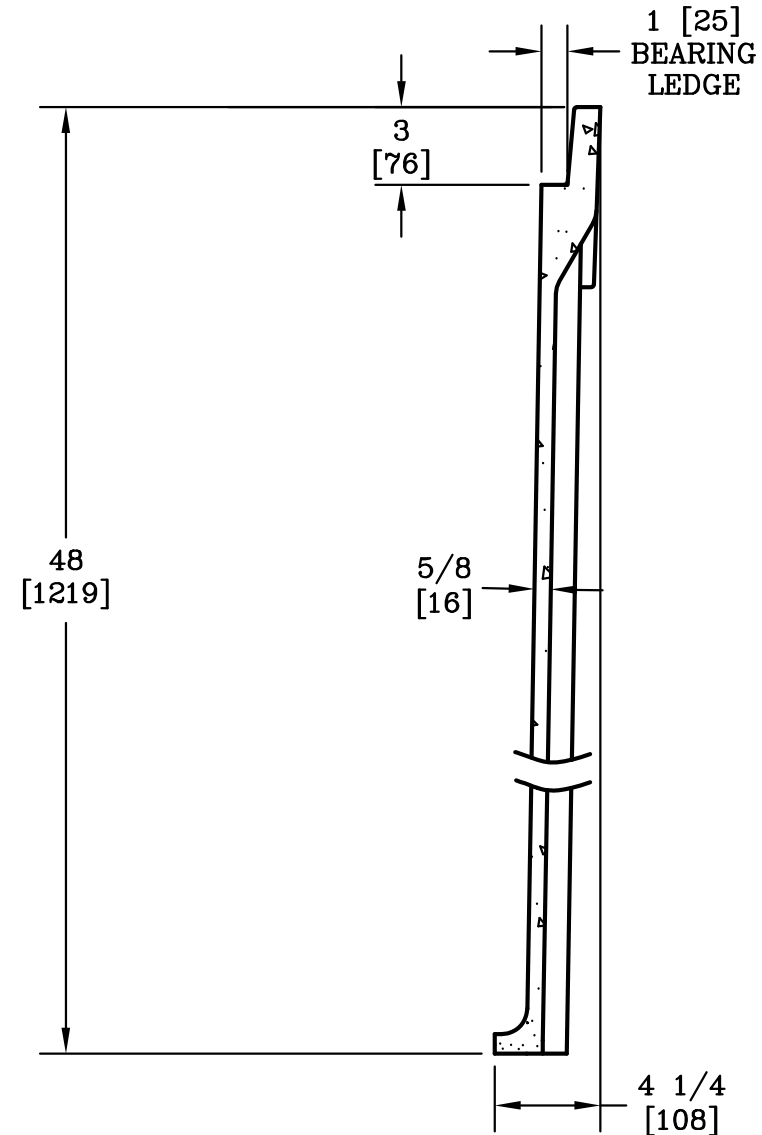
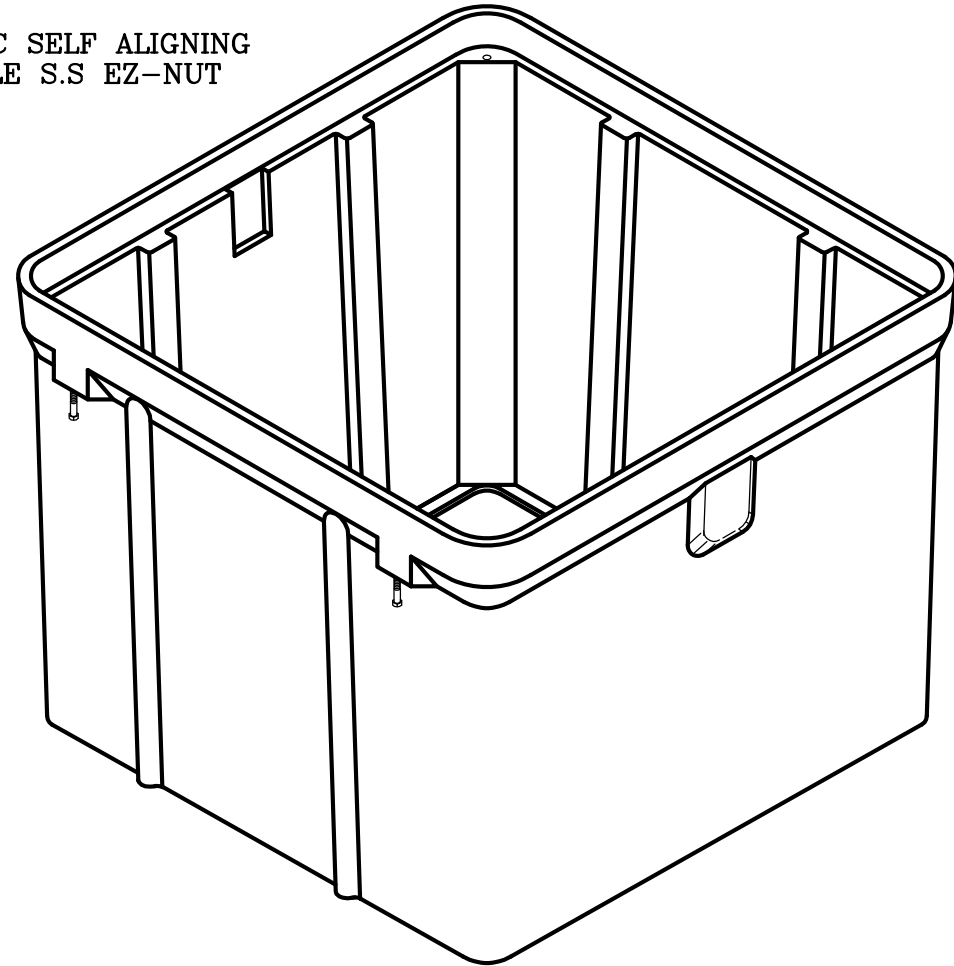
54 5/8 [1387]  
52 5/8 [1336]  
47 1/2 [1207]

4X 22 [559]

A A

2 9/16 [65]

1/2-13 UNC SELF ALIGNING  
REPLACEABLE S.S EZ-NUT  
4 PLACES

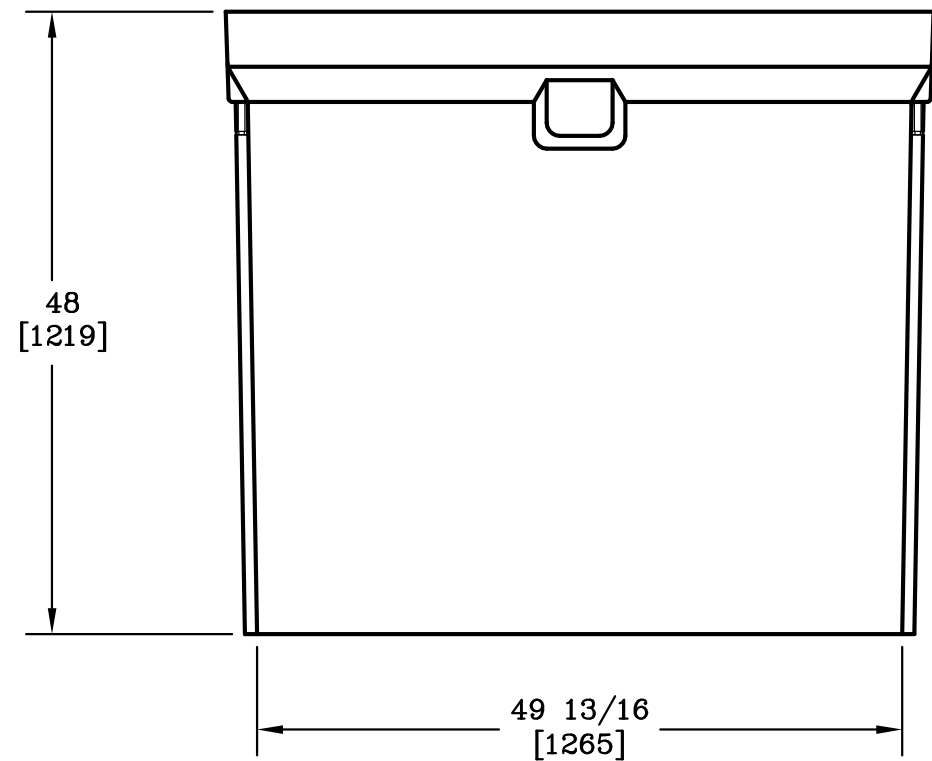


**SECTION A-A**  
SCALE: 1 1/2"=1'

1/2-13 UNC  
LIFTING BOLT  
4 PLACES

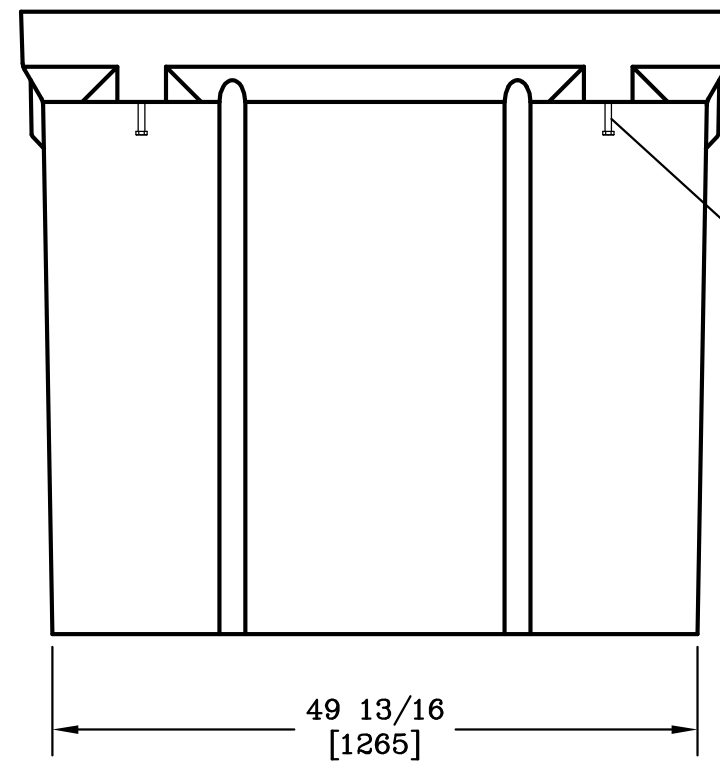
NOTES:

- DIMENSIONS IN BRACKETS ARE IN MILLIMETERS UNLESS OTHERWISE NOTED.




48 [1219]

49 13/16 [1265]



49 13/16 [1265]

DIMENSIONS ARE IN INCHES OR MILLIMETERS IN BRACKETS UNLESS OTHERWISE NOTED.						
DRN	BY	DATE	WEIGHT	 3621 INDUSTRIAL PARK DR LENOIR CITY, TN 37771 800-346-3062 www.quazite.com	LOC	
CHK	ENG	APR	805# 365kg		S	
APR	APR	APR	SCALE	DRAWING DESCRIPTION	REV	
APR	APR	APR	3/4"=1'		<b>QUAZITE® 48X48X48 BOX</b>	<b>F</b>
APR	APR	APR	SIZE			2/02
PROJECT NUMBER			B	DRAWING NUMBER		
94558				PG4848BA48		
SHEET 1 OF 1						