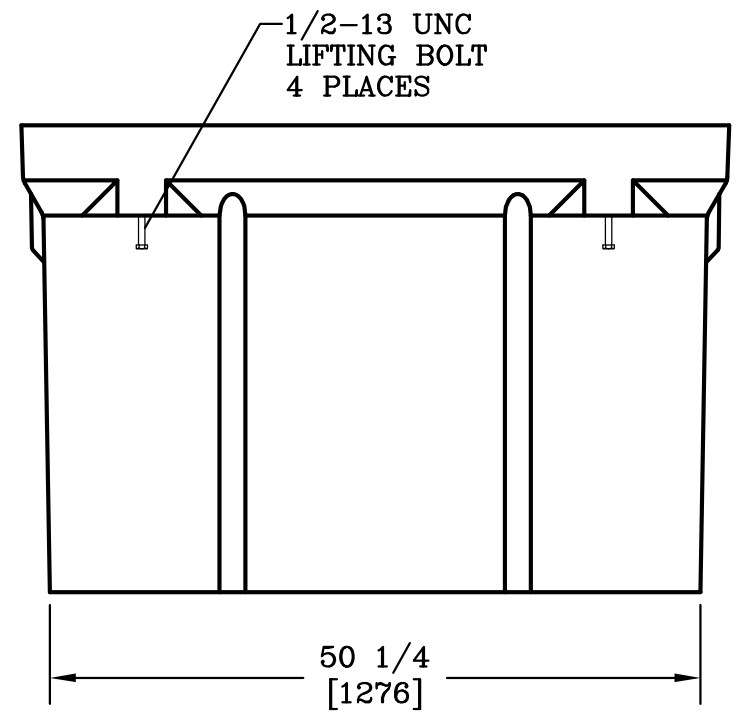
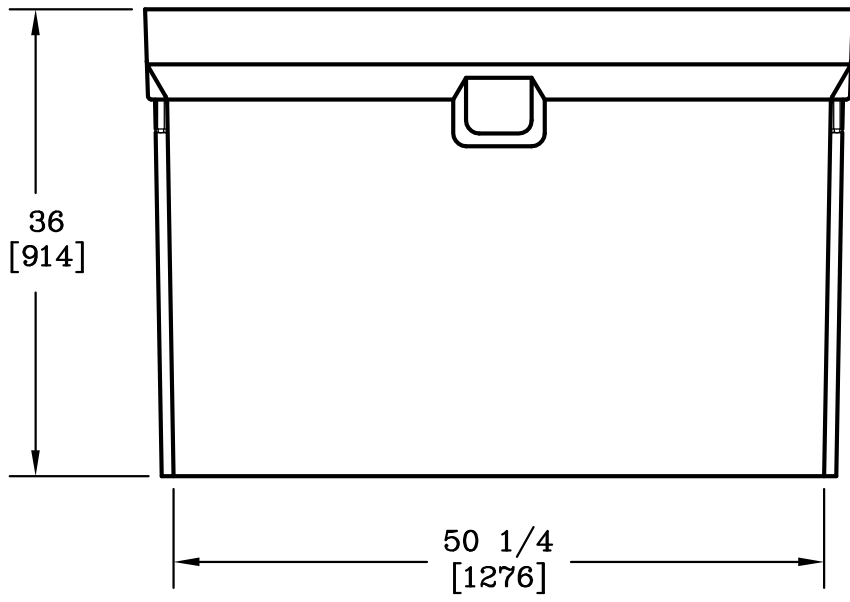



**SECTION A-A**  
 SCALE: 1 1/2"=1'

**NOTE:**  
 1. DIMENSIONS IN BRACKETS ARE IN MILLIMETERS UNLESS OTHERWISE NOTED.



DIMENSIONS ARE IN INCHES OR MILLIMETERS IN BRACKETS UNLESS OTHERWISE NOTED.					
DRN	BY	DATE	WEIGHT	 3621 INDUSTRIAL PARK DR LENOIR CITY, TN 37771 800-346-3062 www.quazite.com	LOC
CHK	ENG	APR	APR		SCALE
				3/4"=1'	REV
				SIZE	H
				B	3/12
PROJECT NUMBER				DRAWING DESCRIPTION	
94557				QUAZITE® BOX	
SHEET 1 OF 1				DRAWING NUMBER	
				PG4848BA36	