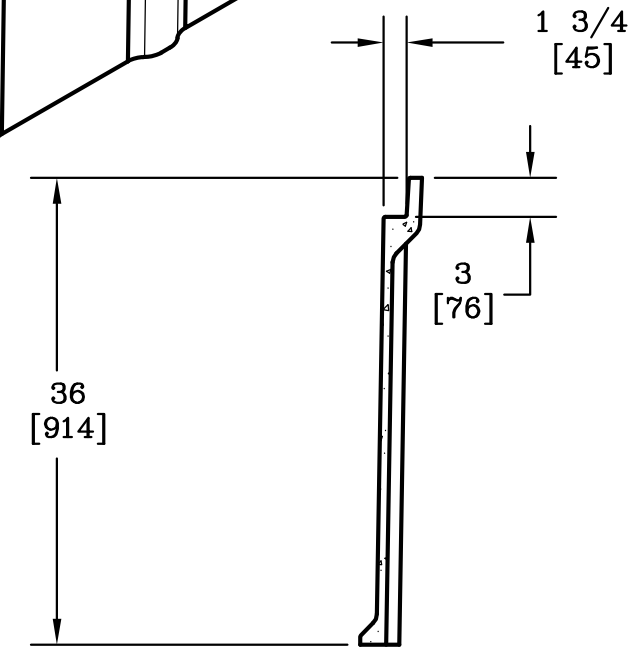
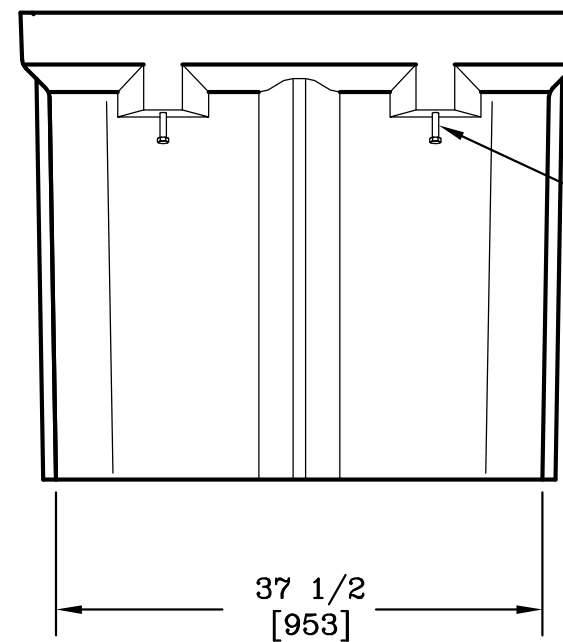
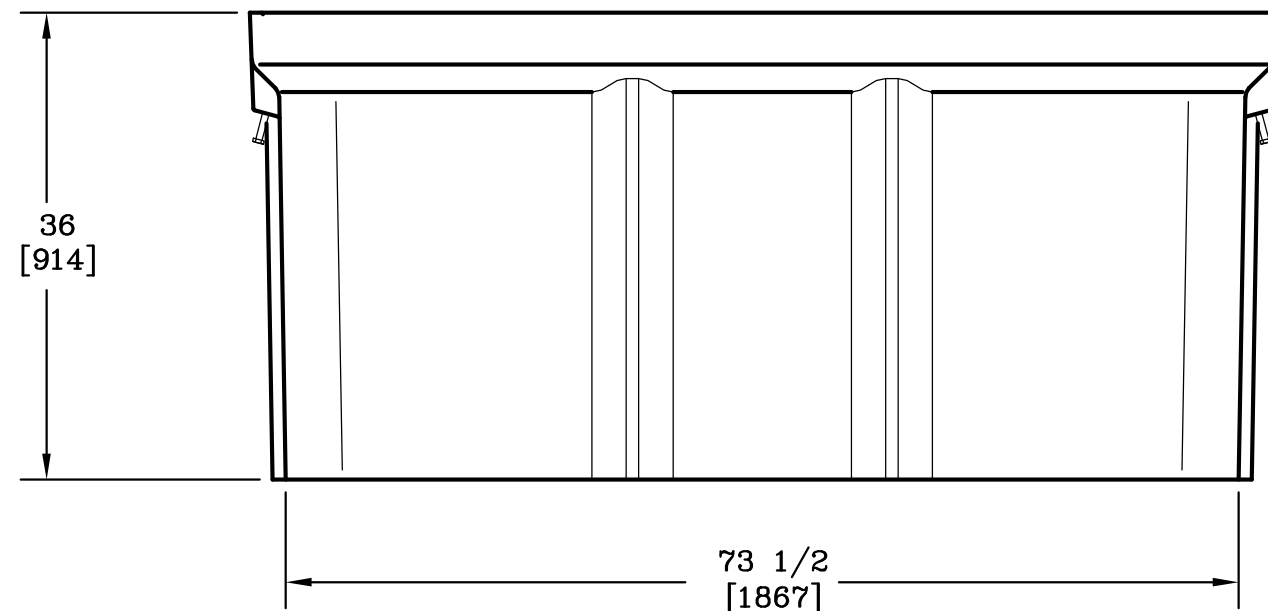


1/2-6 SELF ALIGNING,
REPLACEABLE S.S. EZ-NUT
2 PLACES




SECTION A-A



1/2-13 UNC
LIFTING BOLT
4 PLACES

NOTE:
1. DIMENSIONS IN BRACKETS ARE
IN MILLIMETERS UNLESS OTHERWISE
SPECIFIED

| DIMENSIONS ARE IN INCHES OR MILLIMETERS IN BRACKETS UNLESS OTHERWISE NOTED. | | | | | |
|---|-----|------|---------------|---|----------------|
| DRN | BY | DATE | WEIGHT |  3621 INDUSTRIAL PARK DR LENOIR CITY, TN 37771 800-346-3062 www.quazite.com | LOC |
| CHK | ENG | APR | 768# 348kg | | S |
| APR | APR | APR | SCALE | QUAZITE® BOX | REV |
| | | | 3/4"=1' | | E |
| | | | SIZE | | 3/12 |
| PROJECT NUMBER | | | | | DRAWING NUMBER |
| 02281 | | | | | PG3672BA36 |
| SHEET 1 OF 1 | | | | | |