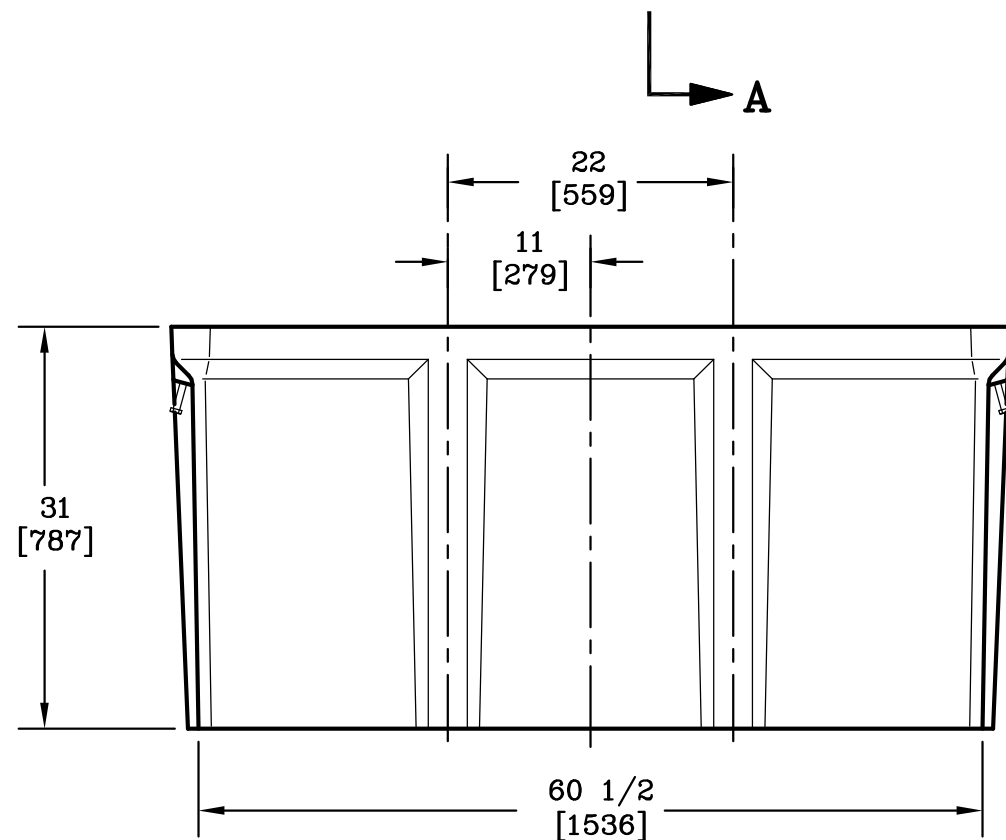
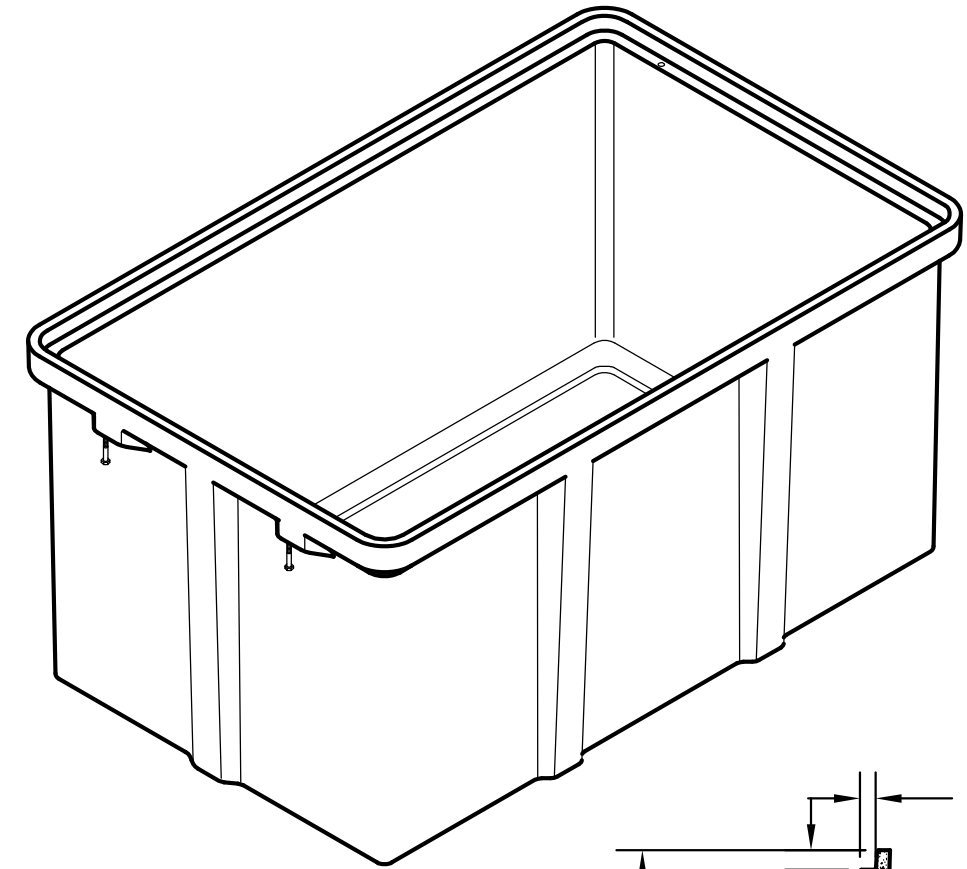
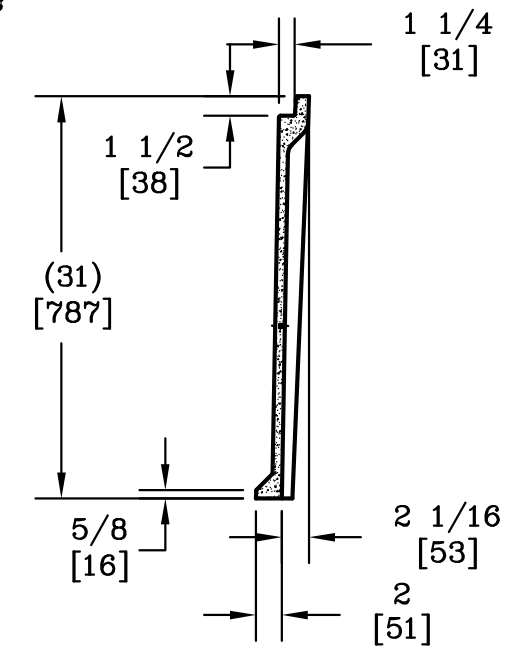
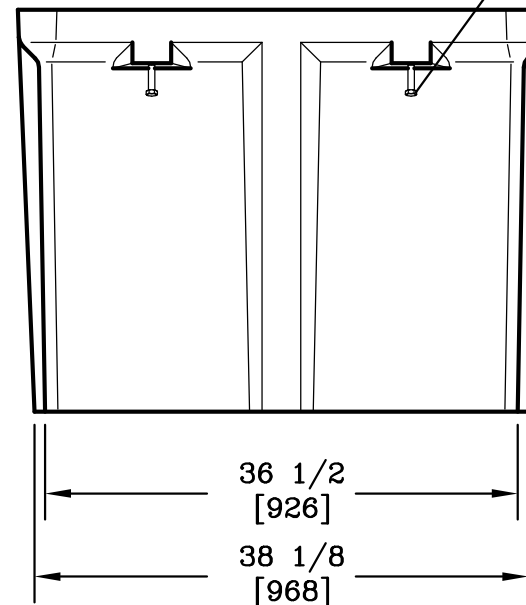


1/2-6 SELF ALIGNING,
REPLACEABLE S.S. EZ-NUT
2 PLACES





1/2-13 UNC
LIFTING BOLT
4 PLACES



SECTION A-A

NOTE:

1. THIS BOX IS RATED FOR ANSI/SCTE 77 2007 TIER 22.

DIMENSIONS ARE IN INCHES OR MILLIMETERS IN BRACKETS UNLESS OTHERWISE NOTED.				 3621 INDUSTRIAL PARK DR LENOIR CITY, TN 37771 800-346-3062 www.quazite.com	LOC
DRN	BY	DATE	WEIGHT		LC
CHK	ENG	APR	SCALE	DRAWING DESCRIPTION	REV
APR	APR	APR	SIZE		C
PROJECT NUMBER				 QUAZITE® 36 X 60 X 31 BOX STANDARD VERSION	3/12
00251					SHEET 1 OF 1