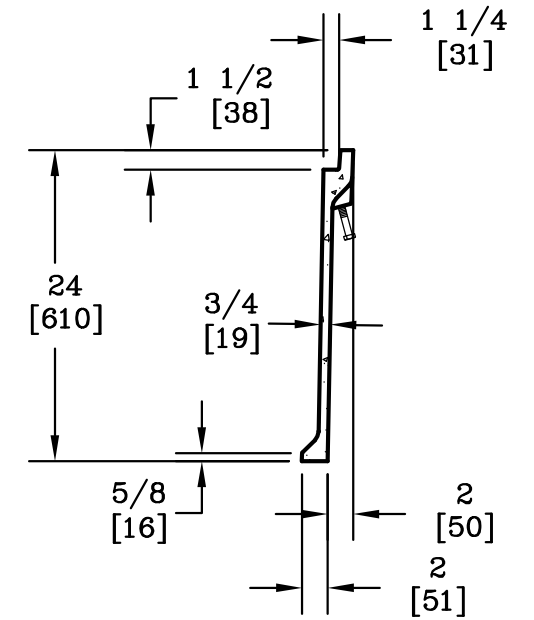
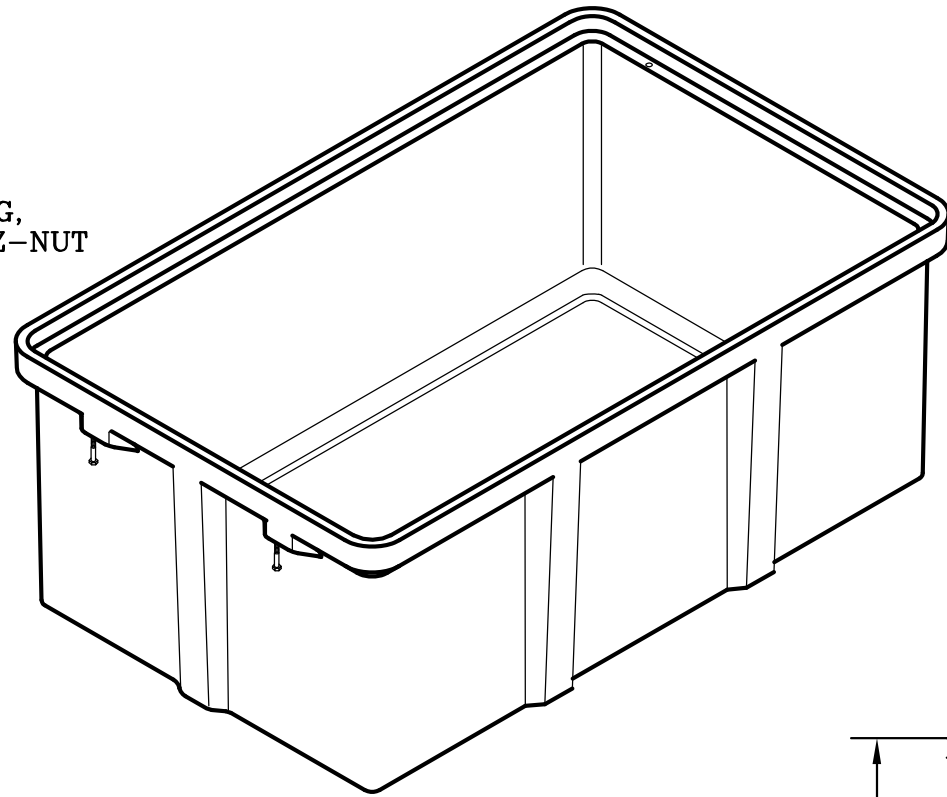
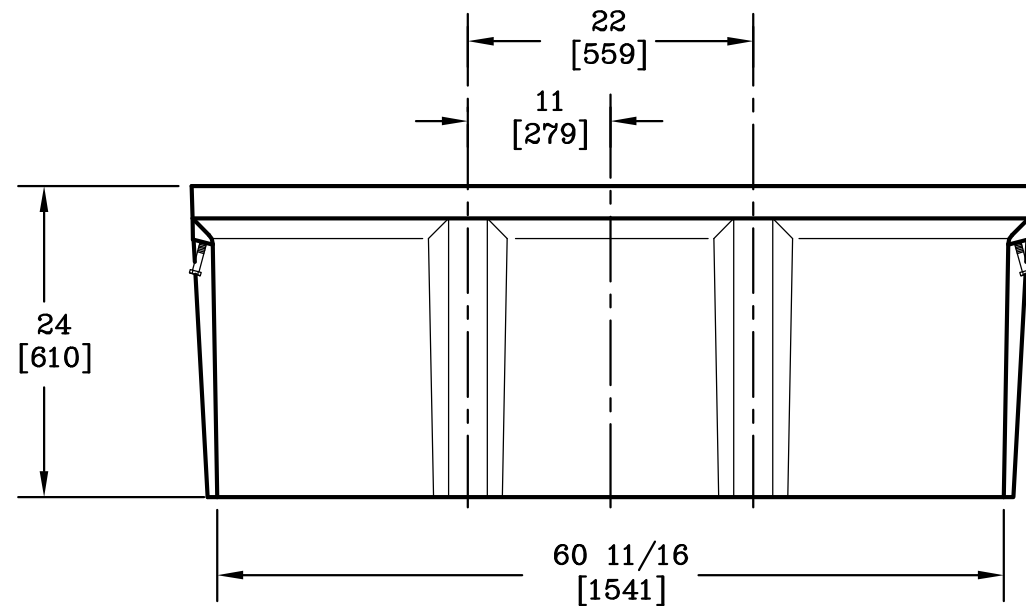


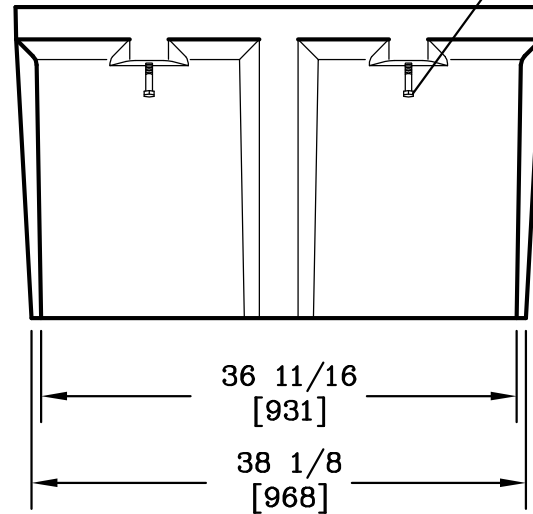
1/2-6 SELF ALIGNING,
REPLACEABLE S.S. EZ-NUT
2 PLACES



SECTION A-A



1/2-13 UNC
LIFTING BOLT
4 PLACES



NOTE:

1. THIS BOX IS RATED FOR ANSI/SCTE 77 2007 TIER 22.

DIMENSIONS ARE IN INCHES OR MILLIMETERS IN BRACKETS UNLESS OTHERWISE NOTED.				HUBBELL® 3621 INDUSTRIAL PARK DR LENOIR CITY, TN 37771 800-346-3062 www.quazite.com		LOC
DRN	BY	DATE	WEIGHT	DRAWING DESCRIPTION	QUAZITE® 36 X 60 X 24 BOX	LC
CHK	KPB	5/8/00	425# 193kg			S
ENG			SCALE			REV
APR			3/4"=1'			C
APR			SIZE			3/12
PROJECT NUMBER			B	STANDARD VERSION		
002520				DRAWING NUMBER		
				PG3660BA24		
				SHEET 1 OF 1		