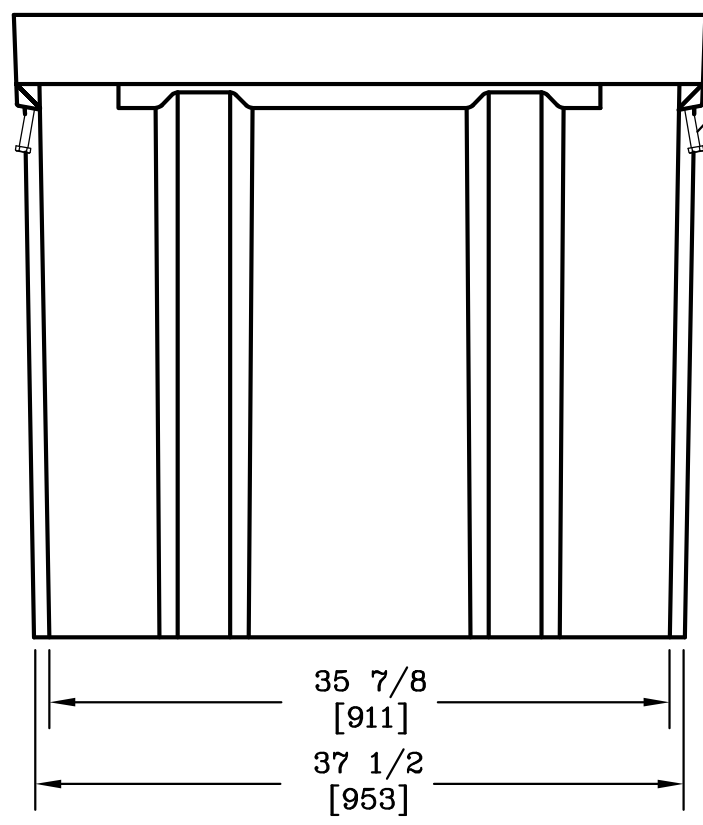
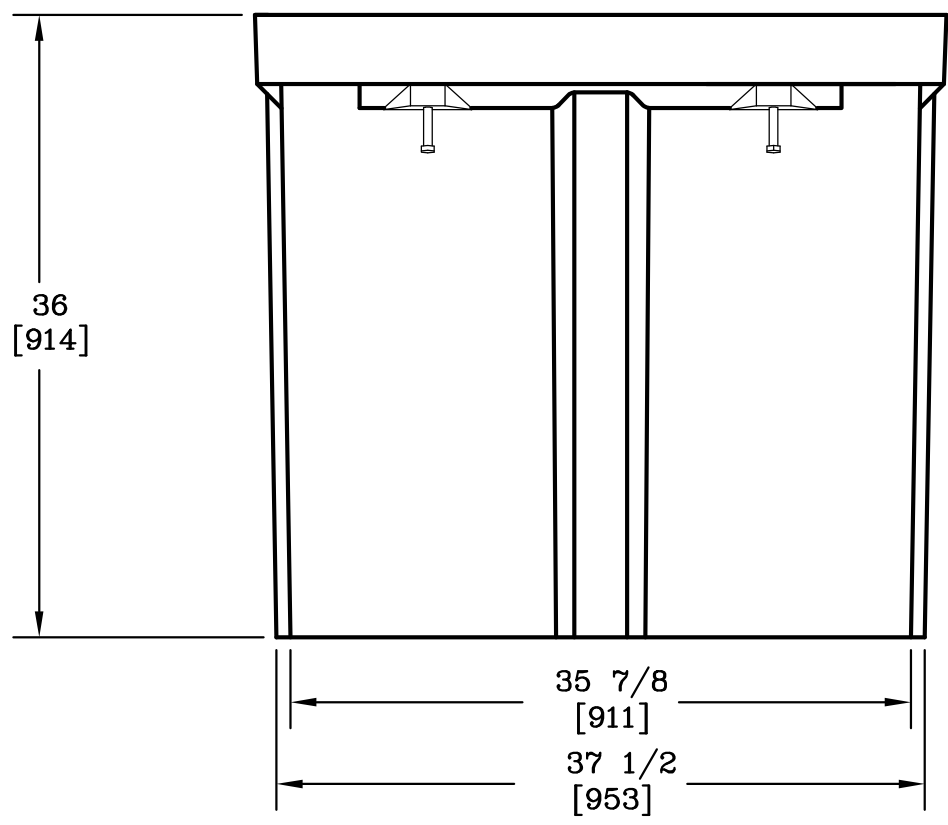


SECTION A-A

3/8-7 SELF ALIGNING,
REPLACEABLE S.S. EZ-NUT
2 PLACES



1/2-13 UNC
LIFTING BOLT
4 PLACES



DIMENSIONS ARE IN INCHES OR MILLIMETERS IN BRACKETS UNLESS OTHERWISE NOTED.					3621 INDUSTRIAL PARK DR LENOIR CITY, TN 37771 800-346-3062 www.quazite.com	LOC
DRN	BY	DATE	WEIGHT			LC
CHK	ENG	APR	APR	357# 162kg	S	
				SCALE	REV	
				1"=1'	C	
				SIZE	3/12	
				B		
PROJECT NUMBER				DRAWING DESCRIPTION		
98180				QUAZITE® 36 X 36 X 36 BOX		
				STANDARD VERSION		
SHEET 1 OF 1				DRAWING NUMBER		
				PG3636BA36		