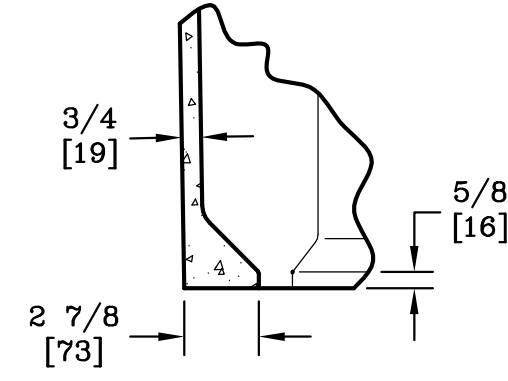


1/2-6 SELF ALIGNING,  
 REPLACEABLE S.S. EZ-NUT  
 2 PLACES

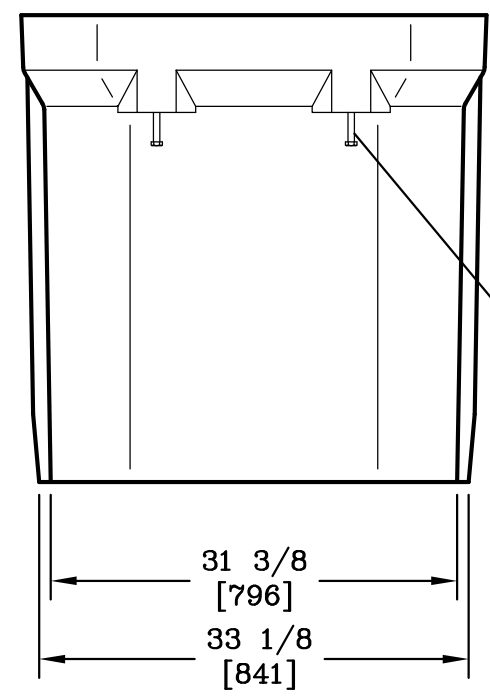
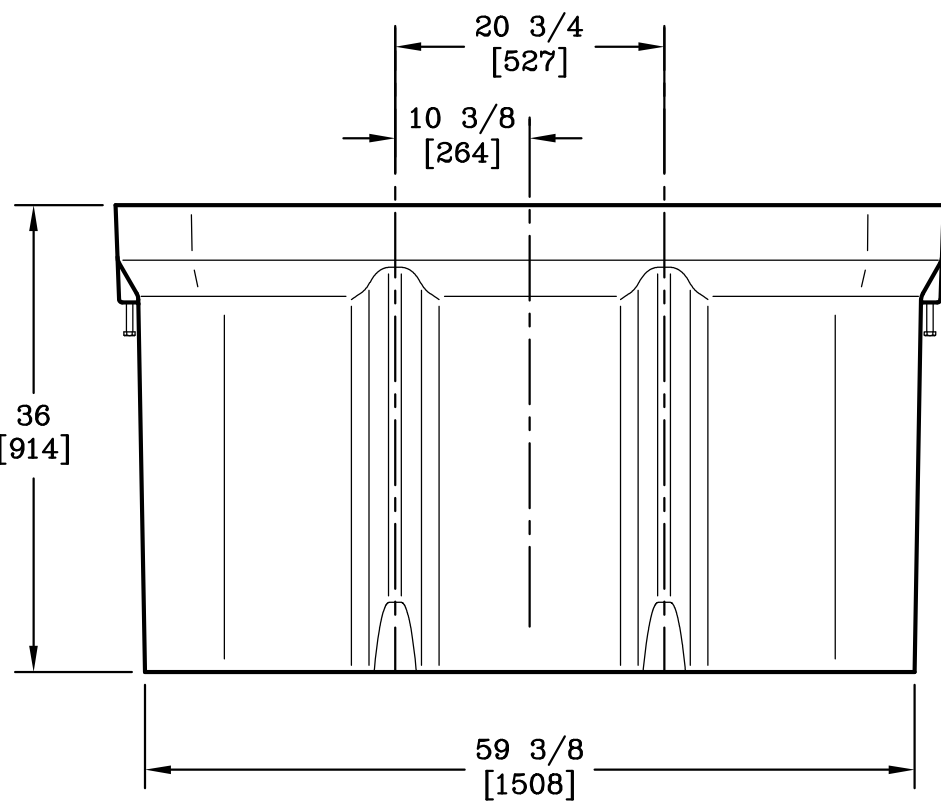


**SECTION A-A**  
 SCALE: 1 1/2"=1'

**SECTION B-B**  
 SCALE: 1 1/2"=1'

NOTE:

1. DIMENSIONS IN BRACKETS ARE IN MILLIMETERS UNLESS NOTED OTHERWISE.



1/2-13 UNC  
 LIFTING BOLT  
 4 PLACES

DIMENSIONS ARE IN INCHES OR MILLIMETERS IN BRACKETS UNLESS OTHERWISE NOTED.				3621 INDUSTRIAL PARK DR LENOIR CITY, TN 37771 800-346-3062 www.quazite.com	LOC	
DRN	BY	DATE	WEIGHT		DRAWING DESCRIPTION	S
CHK	ENG	APR	SCALE	<b>QUAZITE® BOX</b>		REV
APR	APR	APR	SIZE			D
APR			B			3/12
PROJECT NUMBER				DRAWING NUMBER		
00279				PG3060BA36		
SHEET 1 OF 1						